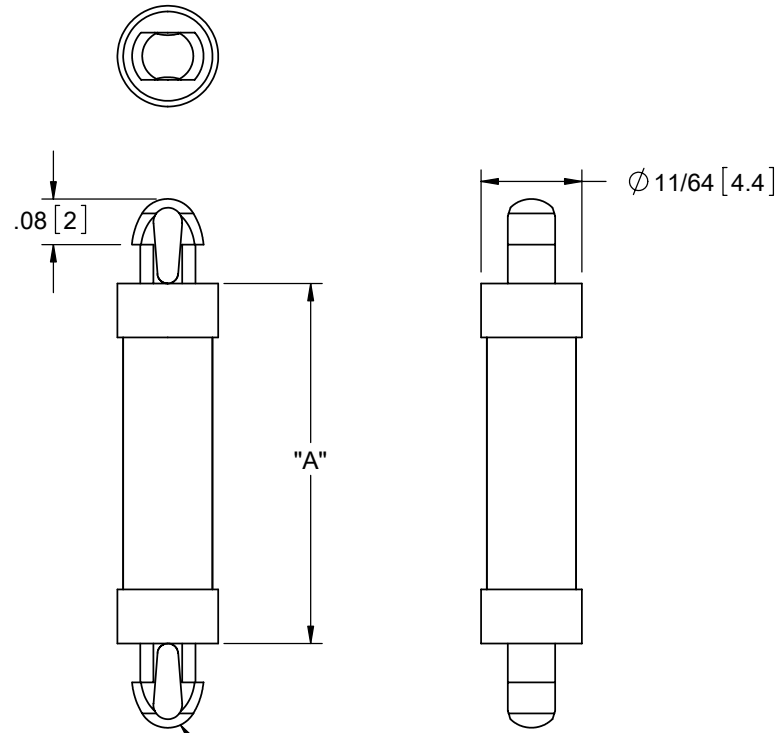
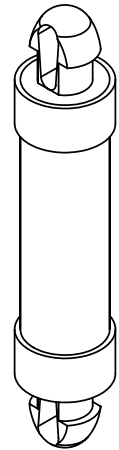


MATERIAL: NYLON 6/6 UL 94 V-2 (RMS-01) COLOR: NATURAL PART NO.	DIM. "A"±.015 [0.4]
DLCBST-1-01	1/16 [1.6]
DLCBST-2-01	1/8 [3.2]
DLCBST-3-01	3/16 [4.8]
DLCBST-4-01	1/4 [6.4]
DLCBST-5-01	5/16 [7.9]
DLCBST-6-01	3/8 [9.5]
DLCBST-7-01	7/16 [11.1]
DLCBST-8-01	1/2 [12.7]
DLCBST-9-01	9/16 [14.3]
DLCBST-10-01	5/8 [15.9]



NOTES:  
 1. MATERIAL: NYLON 6/6 UL 94 V-0 (RMS-19).  
 COLOR: NATURAL.  
 AVAILABLE BY SPECIAL ORDER ONLY.  
 2. ALTERNATE UNITS FOR REFERENCE ONLY

TO SNAP-LOCK IN A .100±.002  
 [2.54±0.05] DIA. HOLE, IN A  
 .064 [1.63] MAX. PANEL THICKNESS  
 (BOTH ENDS)



TITLE: DUAL LOCKING CIRCUIT BOARD SUPPORT, TEARDROP						DWG IN IN [MM]	
CREATED USING SOLIDWORKS	FILE #: DLCBST	DWN: SK	APP: RT	FINAL			
TOLERANCES UNLESS NOTED	SHEET: 1 OF 1	SHEET SIZE: A	DT: 11/30/06	CHKD: DZ	PART #		PRINT TYPE
XX=±.010 .XXX=±.005 FRAC.=±1/64 ANG.=±1°	RE: RICHCO, INC.		RICHCO, INC. ENG@RICHCO-INC.COM (773) 539-4060		SEE TABLE		CA
D	REDRAWN, SEE ECN #1255 FOR CHANGES	SK	11/30/06				
-	SEE ENGINEERING FORE REVISIONS A-C	---	----				
REV.	DESCRIPTION	ENGR.	DATE				