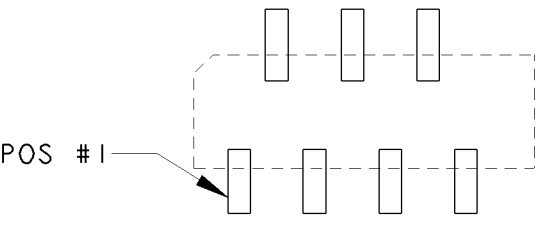
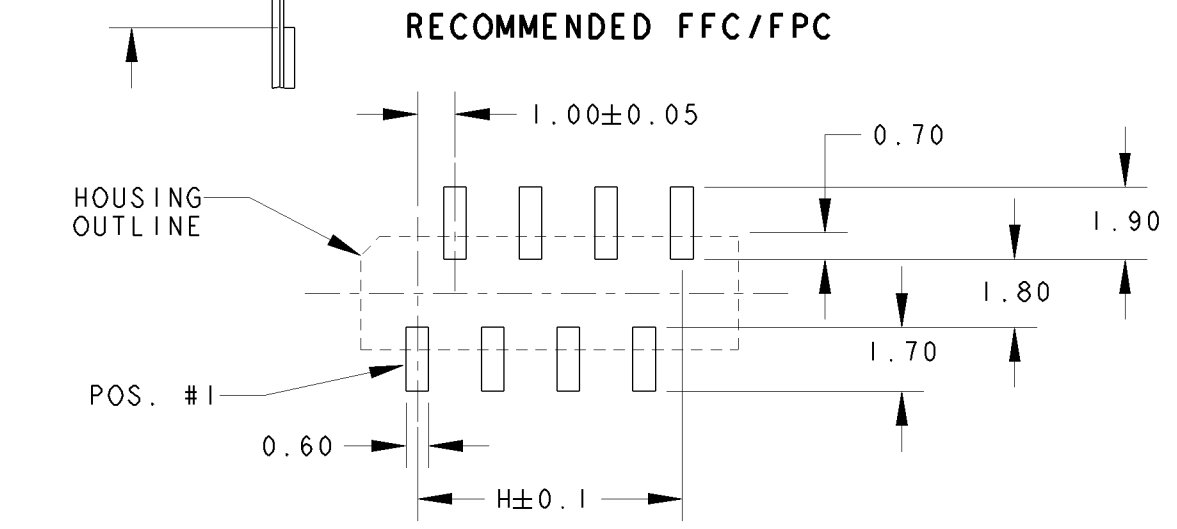
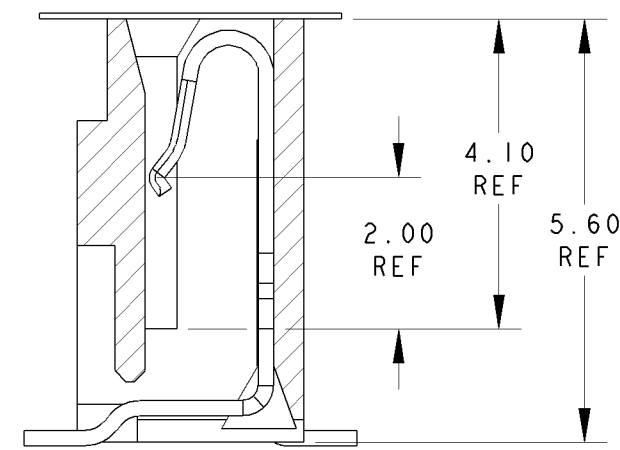
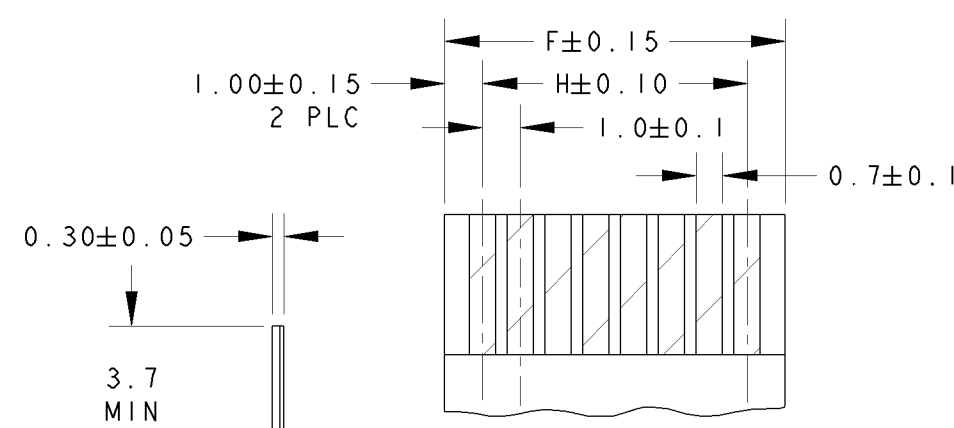


THIS DRAWING IS UNPUBLISHED. RELEASED FOR PUBLICATION .19  
 © COPYRIGHT 19 BY AMP INCORPORATED. ALL RIGHTS RESERVED.

LOC	DIST	REVISIONS				
P	LTR	DESCRIPTION	DATE	DWN	APVD	
DY	-	L REVISED ECR-10-012020	23JUL10	LYM	LSF	

NOTES:  
 1 MATERIAL:  
 HOUSING: GLASS FILLED HIGH TEMP NYLON, NATURAL COLOR (BEIGE)  
 CONTACT: PHOSPHOR BRONZE  
 2 FINISH: MATTE TIN OVER NICKEL UNDERPLATE  
 3. PACKAGING: TAPE & REEL (PACKAGING SPEC: 107-51189)



RECOMMENDED PCB LAYOUT  
 (NON-ACCUMULATIVE TOLERANCE)  
 (FOR EVEN POSITION CONNECTORS)

29.00	32.00	31.00	31.00	10.0	30	3-	-0
28.00	31.00	30.00	30.00		29	2-	-9
27.00	30.00	29.00	29.00		28	2-	-8
26.00	29.00	28.00	28.00		27	2-	-7
25.00	28.00	27.00	27.00		26	2-	-6
24.00	27.00	26.00	26.00		25	2-	-5
23.00	26.00	25.00	25.00		24	2-	-4
22.00	25.00	24.00	24.00		23	2-	-3
21.00	24.00	23.00	23.00		22	2-	-2
20.00	23.00	22.00	22.00		21	2-	-1
19.00	22.00	21.00	21.00	20	2-	-0	
18.00	21.00	20.00	20.00	19	1-	-9	
17.00	20.00	19.00	19.00	18	1-	-8	
16.00	19.00	18.00	18.00	17	1-	-7	
15.00	18.00	17.00	17.00	16	1-	-6	
14.00	17.00	16.00	16.00	15	1-	-5	
13.00	16.00	15.00	15.00	14	1-	-4	
12.00	15.00	14.00	14.00	13	1-	-3	
11.00	14.00	13.00	13.00	12	1-	-2	
10.00	13.00	12.00	12.00	11	1-	-1	
9.00	12.00	11.00	11.00	10	1-	-0	
8.00	11.00	10.00	10.00	8.0	9	-9	
7.00	10.00	9.00	9.00		8	-8	
6.00	9.00	8.00	8.00	5.0	7	-7	
5.00	8.00	7.00	7.00		6	-6	
4.00	7.00	6.00	6.00		5	-5	
3.00	6.00	5.00	5.00	4	1735042-4		

H	G	F	E	D	POS.	ON TAPE PART NO.
---	---	---	---	---	------	------------------

THIS DRAWING IS A CONTROLLED DOCUMENT FOR AMP INCORPORATED. IT IS SUBJECT TO CHANGE AND THE CONTROLLING ENGINEERING ORGANIZATION SHOULD BE CONTACTED FOR THE LATEST REVISION.

CHK WYLEE 25JUN04  
 LP TAN  
 APVD SF LEONG  
 PRODUCT SPEC 108-51054  
 APPLICATION SPEC -  
 WEIGHT -  
 CUSTOMER DRAWING

Tyco Electronics Corporation Singapore  
 Tyco Electronics  
 NAME ON TAPING (EMBOSS)  
 ASSY, 1.00mm FFC CONN. WITH KAPTON TAPE  
 SMT, V, (NON-ZIF)  
 SIZE A3 CAGE CODE 00779 DRAWING NO C-1735042  
 SCALE 2:1 SHEET 1 OF 1 REV L

DIMENSIONS: mm TOLERANCES UNLESS OTHERWISE SPECIFIED:  
 0 PLC ±0.3  
 1 PLC ±0.3  
 2 PLC ±0.3  
 3 PLC ±0.3  
 4 PLC ±0.3  
 ANGLES ±3°  
 MATERIAL 1 FINISH 2