

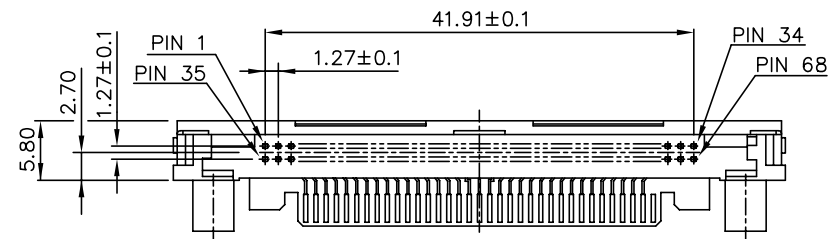
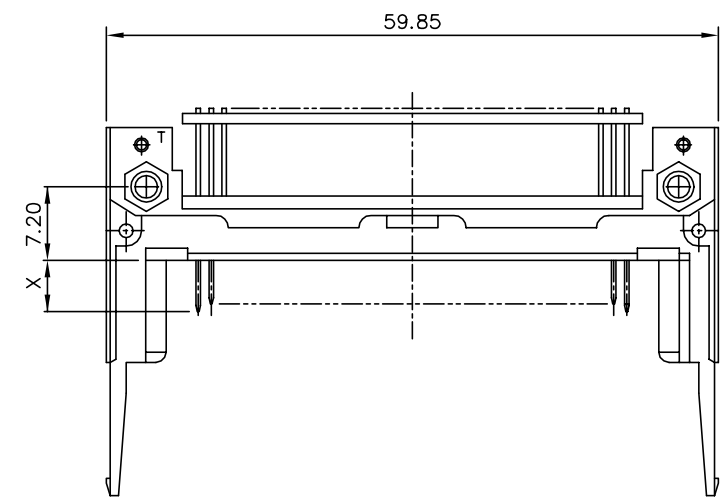
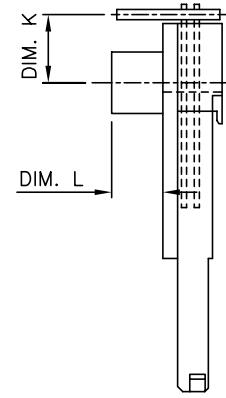
FCI CONFIDENTIAL



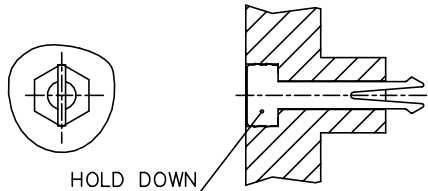
This document is the property of and embodies CONFIDENTIAL and PROPRIETARY information of FCI. No part of this information shown on this document may be used in any way or disclosed to others without the written consent of FCI.  
Copyright FCI.

PRODUCT NO.	DIM "X"		
	4.25±0.1	3.5±0.1	5.0±0.1
95548-****	OTHERS	36,67	1,17,34 35,51,68

- 95548-□□□□
- HOLD DOWN : H
- STAND-OFF
- 00 : 0.0 mm
  - 20 : 2.0 mm
  - 22 : 2.2 mm
  - 30 : 3.0 mm
  - 40 : 4.0 mm
  - 43 : 4.3 mm
  - 50 : 5.0 mm
- UPPER DECK : 5
- LOWER DECK : 0
- LOWER DECK : 1  
(FOR HOLLAND)
- LOWER DECK : 2  
(FOR KOREA)
- TOP MOUNT : 0
- BOTTOM MOUNT : 5



NOTE:  
1. ADD "H" TO PART NUMBER FOR OPTIONAL HOLD DOWN (2 PER ASSEMBLY).



95548-0000	0	-0.3
95548-0050H	5	-0.3
95548-0222	2.2	2.15
95548-0150	5	-0.3
95548-0100	0	2.15
95548-0522	0	9.0
95548-0022	2.2	2.15
95548-0543	0	6.55
95548-0043	4.3	-0.3
95548-0550	0	6.55
95548-0050	5	-0.3
95548-0500	0	10.0
PRODUCT NO.	DIM.L	DIM.K±0.20

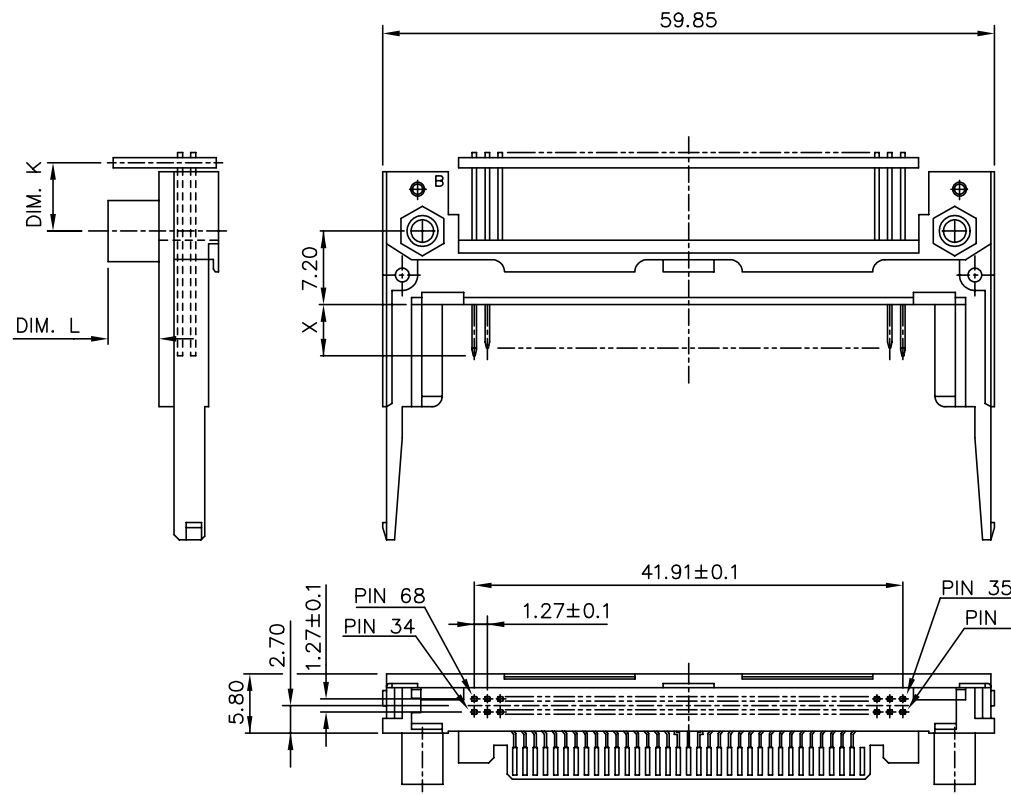
mat'l. code		surface		tolerance		projection		product family	
		ISO 1302		ISO 406 ISO 1181				PCMCIA	
tr echn no dr date		tolerances unless otherwise specified		title		scale 2:1		68 POS EJECTOR HEADER HSG HEADER ASS'Y	
J	T03-0464	W	L	10/20/03	angles	linear ±0.3	MM	dwg no sheet 1 of 4 size	
K	N04-0092	W	B	12/01/04	linear	±2'		95548 A4	
L	N06-0110	M	Z	07/01/06	chr	Qin David	07/01/06	type CUSTOMER Drawing	
M	N08-0099	M	Z	05/20/08	dr	Mike Zhou	07/01/06		
N	ELX-N-011439	Z	K	04/12/11	enr	Mike Zhou	07/01/06		
					app	Jack Wang	07/01/06		
sheet index	revision sheet	N	N	N	N				
		1	2	3	4				

FCI CONFIDENTIAL



This document is the property of and embodies CONFIDENTIAL and PROPRIETARY information of FCI. No part of this information shown on this document may be used in any way or disclosed to others without the written consent of FCI.  
Copyright FCI

PRODUCT NO.	DIM "X"		
95548-****	4.25±0.1	3.5±0.1	5.0±0.1
	OTHERS	36,67	1,17,34 35,51,68



95548-	□	□	□	
	STAND-OFF	00	:	0.0 mm
		20	:	2.0 mm
		22	:	2.2 mm
		30	:	3.0 mm
		40	:	4.0 mm
		43	:	4.3 mm
		50	:	5.0 mm
	UPPER DECK	:	5	
	LOWER DECK	:	0	
	TOP MOUNT	:	0	
	BOTTOM MOUNT	:	5	

95548-5150	5	2.15
95548-5522	0	9.0
95548-5022	2.2	2.15
95548-5543	0	6.55
95548-5043	4.3	-0.3
95548-5550	0	6.55
95548-5050	5	-0.3
95548-5500	0	10.0
PRODUCT NO.	DIM.L	DIM.K±0.20

mat'l. code	surface	tolerance	projection	product family
	ISO 1302	ISO 406 ISO 1181	1:1	PCMCIA
ltr ecn no dr date	tolerances unless otherwise specified			title
N	angles	linear ±0.3	MM	68 POS EJECTOR HEADER HSG HEADER ASS'Y
	±2'		scale	
dr	Mike Zhou	07/01'06	FCI	dwg no
enr	Mike Zhou	07/01'06		sheet 2 of 4
chr	Qin David	07/01'06		size
appd	Jack Wang	07/01'06		A4
				type CUSTOMER Drawing
sheet index	revision sheet			

FCI CONFIDENTIAL



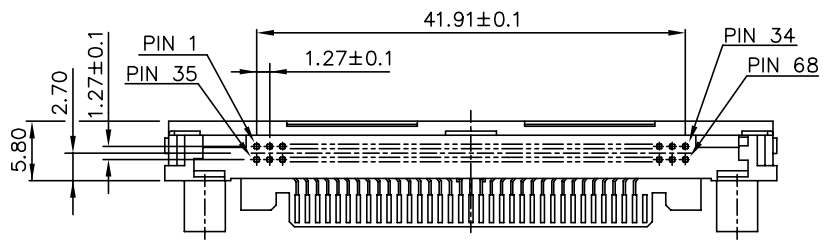
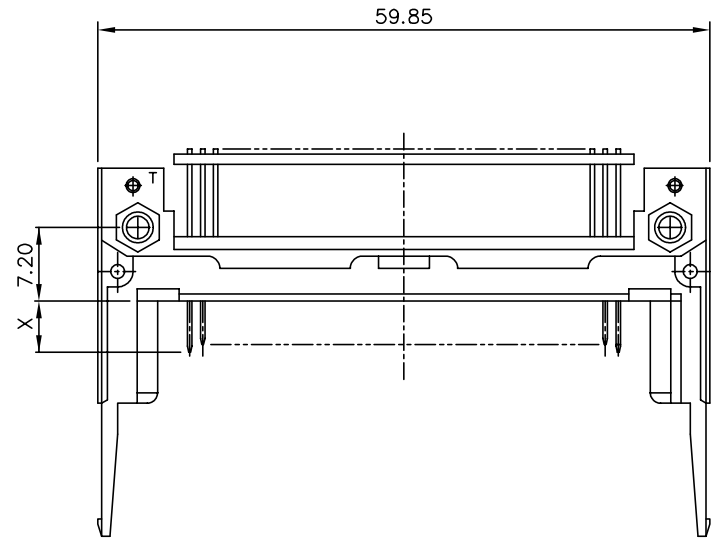
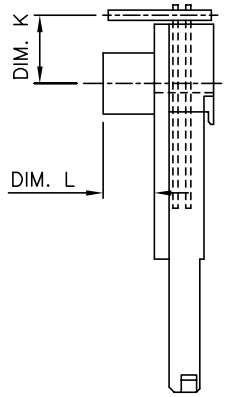
This document is the property of and embodies CONFIDENTIAL and PROPRIETARY information of FCI. No part of this information shown on this document may be used in any way or disclosed to others without the written consent of FCI.  
Copyright FCI.

PRODUCT NO.	DIM "X"		
95548-****LF	4.25±0.1	3.5±0.1	5.0±0.1
	OTHERS	36,67	1,17,34 35,51,68

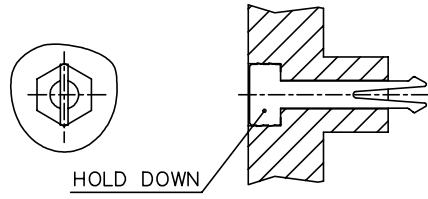
- 95548-□□□□□
- LEAD-FREE OPTION : LF
  - HOLD DOWN : H
  - STAND-OFF
    - 00 : 0.0 mm
    - 20 : 2.0 mm
    - 22 : 2.2 mm
    - 30 : 3.0 mm
    - 40 : 4.0 mm
    - 43 : 4.3 mm
    - 50 : 5.0 mm
  - UPPER DECK : 5
  - LOWER DECK : 0
  - LOWER DECK : 1  
(FOR HOLLAND)
  - LOWER DECK : 2  
(FOR KOREA)
  - TOP MOUNT : 0
  - BOTTOM MOUNT : 5

95548-0100MLF	0	2.15
95548-0000LF	0	-0.3
95548-0051LF	5	-0.3
95548-0050HLF	5	-0.3
95548-0222LF	2.2	2.15
95548-0150LF	5	-0.3
95548-0100LF	0	2.15
95548-0522LF	0	9.0
95548-0022LF	2.2	2.15
95548-0543LF	0	6.55
95548-0043LF	4.3	-0.3
95548-0550LF	0	6.55
95548-0050LF	5	-0.3
95548-0500LF	0	10.0

PRODUCT NO.	DIM.L	DIM.K±0.20
-------------	-------	------------



NOTE:  
1. ADD "H" TO PART NUMBER FOR OPTIONAL HOLD DOWN (2 PER ASSEMBLY).



mat'l. code		surface		tolerance		projection		product family	
		ISO 1302		ISO 406 ISO 1181		1:1		PCMCIA	
ltr ecn no dr date		tolerances unless otherwise specified		angles		linear		title	
N				±2'		±0.3		68 POS EJECTOR HEADER HSG HEADER ASS'Y	
						scale		MM	
		dr		Mike Zhou		07/01'06		dwg no	
		enr		Mike Zhou		07/01'06		sheet 3 of 4	
		chr		Qin David		07/01'06		size	
		appd		Jack Wang		07/01'06		95548	
								A4	
								type CUSTOMER Drawing	
sheet index		revision sheet							

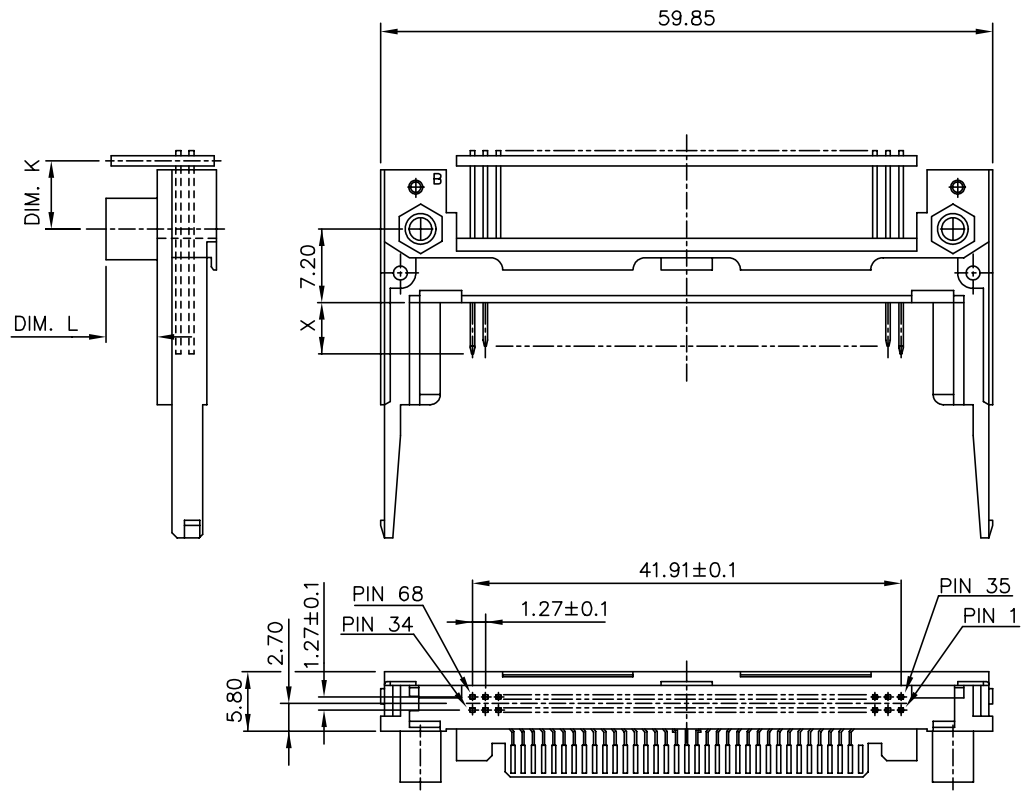
FCI CONFIDENTIAL



This document is the property of and embodies CONFIDENTIAL and PROPRIETARY information of FCI. No part of this information shown on this document may be used in any way or disclosed to others without the written consent of FCI.  
Copyright FCI

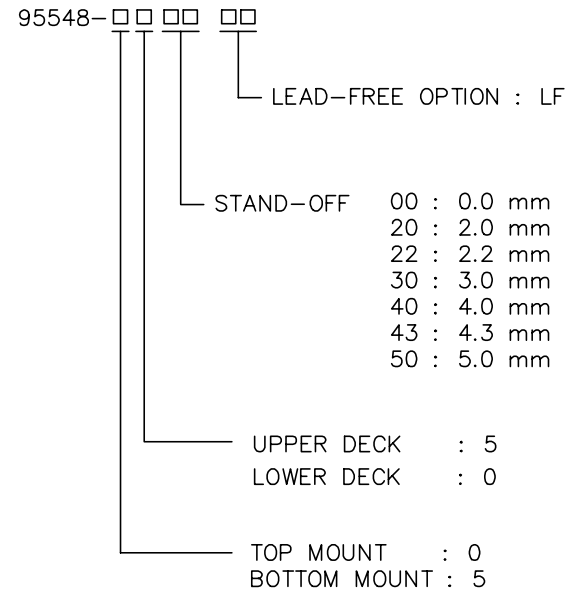


PRODUCT NO.	DIM"X"		
95548-****LF	4.25±0.1	3.5±0.1	5.0±0.1
	OTHERS	36,67	1,17,34 35,51,68



Note:  
 1. FINISH (PIN)  
 UNDER PLATING : 0.5 μm MIN. Ni  
 CONTACT AREA : 0.076 μm MIN. GOLD

SOLDER TAIL:  
 TIN LEAD PLATING: 2.5 μm MIN. Sn-Pb  
 LEAD FREE PLATING: 2.5 μm MIN. PURE TIN  
 2. IF LEAD FREE P/N. THE HOUSING WILL WITHSTAND EXPOSURE TO 260°C PEAK FOR 10 SECONDS IN A WAVE SOLDER APPLICATION WITH A 1.00MM MINIMUM THICK CIRCUIT BOARD  
 3. IF LEAD FREE P/N. PACKAGING MEETS GS-14-920 SPECIFICATION



95548-5150LF	5	2.15
95548-5522LF	0	9.0
95548-5022LF	2.2	2.15
95548-5543LF	0	6.55
95548-5043LF	4.3	-0.3
95548-5550LF	0	6.55
95548-5050LF	5	-0.3
95548-5500LF	0	10.0

PRODUCT NO.	DIM.L	DIM.K±0.20
-------------	-------	------------

4. PRODUCT SPEC: 110-263

mat'l. code	surface ISO 1302	tolerance ISO 406 ISO 1181	projection 1:1	product family PCMCIA
ltr ecn no dr date	tolerances unless otherwise specified			title 68 POS EJECTOR HEADER HSG HEADER ASS'Y
N	angles ±2'	linear ±0.3	MM	dwg no 95548
	dr Mike Zhou 07/01'06	engr Mike Zhou 07/01'06	chr Qin David 07/01'06	sheet 4 of 4 size A4
	appd Jack Wang 07/01'06	scale		type CUSTOMER Drawing
sheet index	revision sheet			