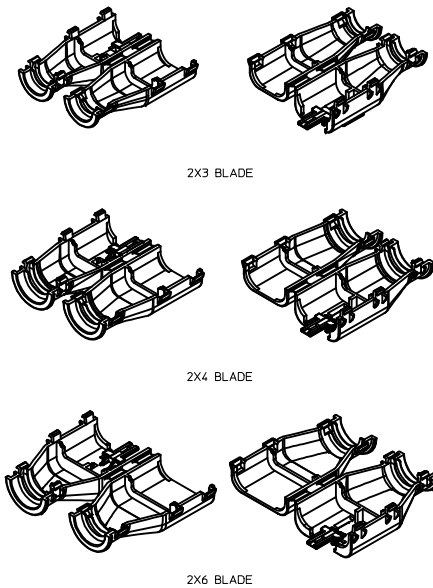


| TABLE OF CONTENTS |                   |
|-------------------|-------------------|
| SHEET NO.         | SHEET DESCRIPTION |
| 1                 | NOTES AND BOM     |
| 2                 | CONFIGURATIONS    |
| 3                 | BACKSHELL DETAIL  |

| BILL OF MATERIALS (BOM) |              |      |                |                         |
|-------------------------|--------------|------|----------------|-------------------------|
| PART NUMBER             | CIRCUIT SIZE | RIBS | STATUS         | MATING ASSEMBLY DRAWING |
| 34950-0610              | 2X3          | YES  | SALEABLE       | SD-33482-061            |
| 34950-0620              | 2X3          | NO   | SALEABLE       | SD-33482-061            |
| 34950-0810              | 2X4          | YES  | DESIGN CONCEPT | SD-33482-081            |
| 34950-0820              | 2X4          | NO   | DESIGN CONCEPT | SD-33482-081            |
| 34950-1210              | 2X6          | YES  | SALEABLE       | SD-33482-121            |
| 34950-1220              | 2X6          | NO   | SALEABLE       | SD-33482-121            |



BACKSHELL NOTES: VALID UNLESS OTHERWISE SPECIFIED

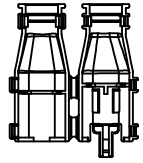
1. GENERAL:
  - a. APPLICATION SPECIFICATION SEE: AS-34951-001
    - DESIGNED TO MATE WITH RECEPTACLE SEALED ASSEMBLY AS SPECIFIED IN BOM
    - COMPONENTS ARE OPTIONAL AND MUST BE PURCHASED SEPERATELY
    - BACKSHELL DESIGN IS OWNED BY SCHLEMMER
  - b. PRODUCT SPECIFICATION
    - THESE PRODUCTS ARE ONE TIME USE ONLY.
    - REMOVAL FORCE OF THE BACKSHELL FROM THE MOLEX CONNECTOR TO BE 100N MIN.
    - REMOVAL FORCE OF SLIT CONVOLUTE FROM THE WITH RIB OPTION BACKSHELLS TO BE 100N MIN.
    - REMOVAL FORCE OF UNSLIT CONVOLUTE FROM THE WITH RIB OPTION BACKSHELLS TO BE 100N MIN.
  - c. PACKAGING SPECIFICATION SEE PK-31302-118
  - d. PARTS MUST BE IN COMPLIANCE TO MOLEX CHEMICAL SUBSTANCES FOR PRODUCTS AND PACKAGING SPECIFICATION: OEHS-699000-300
  - e. DATA MUST BE SUBMITTED UNDER THE MOLEX PART NUMBER TO IMDS (COMPANY ID#13255)
  - f. FOLLOWING PRODUCTION CODES TO BE PRESENT
    - DATE CODE
    - MOLD CAVITY CODE
    - MOLEX LOGO
    - RECYCLE CODE
    - SUPPLIER PART NUMBER
2. DESIGN - MATERIALS:
  - a. PA66 0% GLASS FILLED
  - b. BLACK
3. DESIGN GEOMETRY:
  - a. THIS IS A 100% CAD GENERATED PART. THE CAD MATHEMATICAL DATA IS THE MASTER FOR THIS PART. FOR DIMENSIONAL OR ANY INFORMATION NOT SHOWN ON THIS DRAWING, ANALYZE THE CAD MODEL.
  - b. GEOMETRIC DIMENSIONS AND TOLERANCES PER ASME Y14.5M - 2009
  - c. CORNERS SHOWN AS SHARP TO BE R 0.1.
  - d. VISUAL DEFECTS SHALL MEET COSMETIC STANDARD PS-45499-002 (CLASS B).
  - e. DRAFT OF 2° PRESENT.
  - f. ALLOWABLE FLASH, PARTING LINES MISMATCH, EJECTOR PINS MARK, AND GATE VESTIGE TO BE +0.30 MAX PROTUSION.

|     |                             |
|-----|-----------------------------|
| A6  | UPDATED BILL OF MATERIALS   |
| A5  | UPDATED STATUS COLUMN       |
| A4  | MINOR NOMENCLATURE CLEAN UP |
| A3  | UPDATED VIEWSET & NOTES     |
| A2  | UPDATED REFERENCE DRAWINGS  |
| A1  | UPDATED NOTES               |
| A   | INITIAL RELEASE             |
| REV | DESCRIPTION                 |

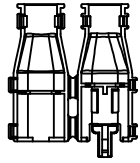
|  |   |   |                                |  |                    |   |                               |                        |  |
|--|---|---|--------------------------------|--|--------------------|---|-------------------------------|------------------------|--|
| <b>ENTER DESCRIPTION</b><br>IEC NO. UAU2015-1693<br>DRAWN BY GORUSZENSKI, 2015/05/11<br>CHKD:<br>APPR: VKOSHY 2015/05/12 | <b>QUALITY SYMBOLS</b><br>∇=0<br>∇=0<br>∇=0 | <b>GENERAL TOLERANCES (UNLESS SPECIFIED)</b>  |                                | <b>DIMENSION STYLE</b><br><b>MM ONLY</b>   |                    | SCALE<br><b>1:1</b>   | DESIGN UNITS<br><b>METRIC</b> | THIRD ANGLE PROJECTION |  |
|  |   | 4 PLACES ± 0.1<br>3 PLACES ± 0.15<br>2 PLACES ± 0.2<br>1 PLACE ± 0.3<br>0 PLACE ± 0.4 | mm<br>INCH                     | DRAWN BY<br>DAHALL   | DATE<br>2013/03/19 | <b>TITLE</b><br><b>MX150 BLADE<br/>         DUAL ROW<br/>         BACKSHELL</b> |                               |                        |  |
|  |   | ANGULAR ± 3°<br>DRAFT WHERE APPLICABLE<br>MUST REMAIN<br>WITHIN DIMENSIONS            | MATERIAL NO.<br><b>SEE BOM</b> | APPROVED BY<br>VKOSHY  | DATE<br>2013/04/08 | <b>DOCUMENT NO.</b><br><b>SD-34950-0001</b>                                     |                               |                        |  |
|  |   | <b>A6</b>   | <b>SIZE</b><br><b>D</b>        | <b>THIS DRAWING CONTAINS INFORMATION THAT IS PROPRIETARY TO MOLEX INCORPORATED AND SHOULD NOT BE USED WITHOUT WRITTEN PERMISSION</b> |                    | SHEET NO.<br>1 OF 3   |                               |                        |  |

20 19 18 17 16 15 14 13 12 11 10 9 8 7 6 5 4 3 2 1

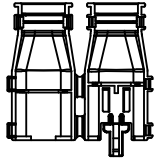
CONFIGURATIONS



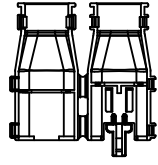
34950-0610  
2X3 BLADE WITH RIBS



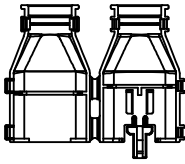
34950-0620  
2X3 BLADE WITHOUT RIBS



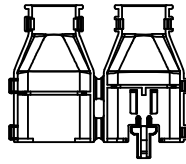
34950-0810  
2X4 BLADE WITH RIBS



34950-0820  
2X4 BLADE WITHOUT RIBS



34950-1210  
2X6 BLADE WITH RIBS

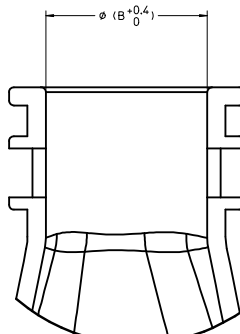
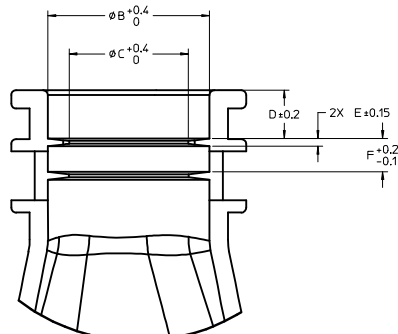
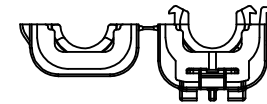
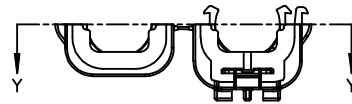
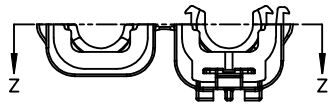
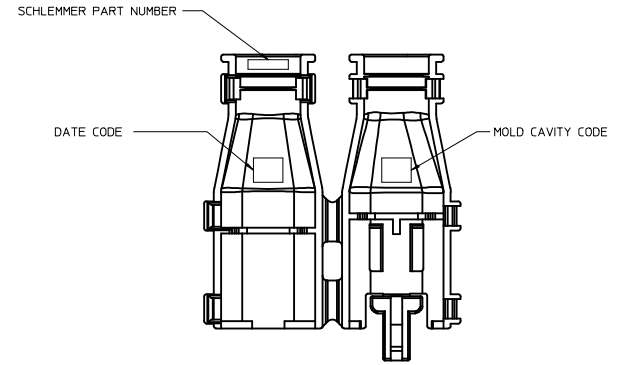
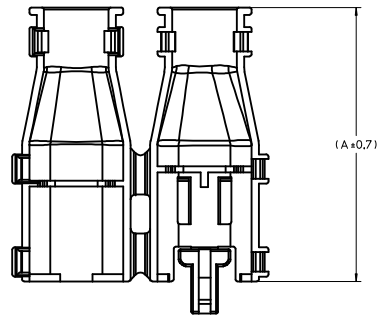
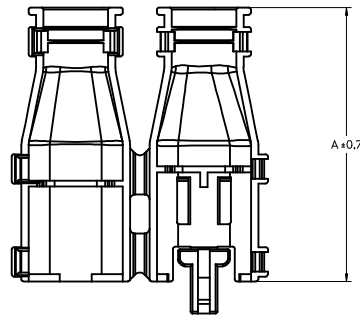


34950-1220  
2X6 BLADE WITHOUT RIBS

| <b>ENTER DESCRIPTION</b><br>IEC NO: UAU2015-1693<br>DRAWN: GORUSZENSKI, 2015/05/11<br>CHKD: [blank]<br>APPR: VKOSHY, 2015/05/12  | QUALITY SYMBOLS<br>▽=0<br>▽=0<br>▽=0 | GENERAL TOLERANCES (UNLESS SPECIFIED)<br><table border="1"> <thead> <tr> <th></th> <th>mm</th> <th>INCH</th> </tr> </thead> <tbody> <tr> <td>4 PLACES</td> <td>± 0.1</td> <td>± 0.004</td> </tr> <tr> <td>3 PLACES</td> <td>± 0.15</td> <td>± 0.006</td> </tr> <tr> <td>2 PLACES</td> <td>± 0.2</td> <td>± 0.008</td> </tr> <tr> <td>1 PLACE</td> <td>± 0.3</td> <td>± 0.012</td> </tr> <tr> <td>0 PLACE</td> <td>± 0.4</td> <td>± 0.016</td> </tr> </tbody> </table> ANGULAR ± 3°<br>DRAFT WHERE APPLICABLE<br>MUST REMAIN WITHIN DIMENSIONS |                 | mm   | INCH                                 | 4 PLACES            | ± 0.1 | ± 0.004 | 3 PLACES | ± 0.15 | ± 0.006 | 2 PLACES | ± 0.2 | ± 0.008 | 1 PLACE | ± 0.3 | ± 0.012 | 0 PLACE | ± 0.4 | ± 0.016 | DIMENSION STYLE<br><b>MM ONLY</b> | SCALE<br><b>1:1</b> | DESIGN UNITS<br><b>METRIC</b> | THIRD ANGLE PROJECTION |
|--|--------------------------------------|---|-----------------|--|--------------------------------------|---------------------|-------|---------|----------|--------|---------|----------|-------|---------|---------|-------|---------|---------|-------|---------|-----------------------------------|---------------------|-------------------------------|------------------------|
|  |                                      | mm  | INCH            |  |                                      |                     |       |         |          |        |         |          |       |         |         |       |         |         |       |         |                                   |                     |                               |                        |
|  | 4 PLACES                             | ± 0.1   | ± 0.004         |  |                                      |                     |       |         |          |        |         |          |       |         |         |       |         |         |       |         |                                   |                     |                               |                        |
|  | 3 PLACES                             | ± 0.15  | ± 0.006         |  |                                      |                     |       |         |          |        |         |          |       |         |         |       |         |         |       |         |                                   |                     |                               |                        |
| 2 PLACES   | ± 0.2                                | ± 0.008   |                 |  |                                      |                     |       |         |          |        |         |          |       |         |         |       |         |         |       |         |                                   |                     |                               |                        |
| 1 PLACE  | ± 0.3                                | ± 0.012   |                 |  |                                      |                     |       |         |          |        |         |          |       |         |         |       |         |         |       |         |                                   |                     |                               |                        |
| 0 PLACE  | ± 0.4                                | ± 0.016   |                 |  |                                      |                     |       |         |          |        |         |          |       |         |         |       |         |         |       |         |                                   |                     |                               |                        |
| DRAWN BY<br>DAHALL   | DATE<br>2013/03/19                   | CHECKED BY<br>[blank]   | DATE<br>[blank] | TITLE<br><b>MX150 BLADE<br/>                 DUAL ROW<br/>                 BACKSHELL</b> |                                      |                     |       |         |          |        |         |          |       |         |         |       |         |         |       |         |                                   |                     |                               |                        |
| APPROVED BY<br>VKOSHY  | DATE<br>2013/04/08                   | MATERIAL NO.<br><b>SEE BOM</b>  |                 |  | DOCUMENT NO.<br><b>SD-34950-0001</b> | SHEET NO.<br>2 OF 3 |       |         |          |        |         |          |       |         |         |       |         |         |       |         |                                   |                     |                               |                        |
| THIS DRAWING CONTAINS INFORMATION THAT IS PROPRIETARY TO MOLEX<br>INCORPORATED AND SHOULD NOT BE USED WITHOUT WRITTEN PERMISSION |                                      |   |                 |  |                                      |                     |       |         |          |        |         |          |       |         |         |       |         |         |       |         |                                   |                     |                               |                        |

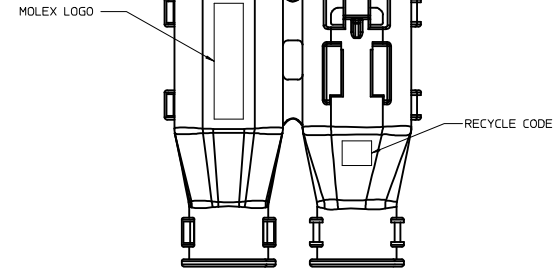
19 18 17 16 15 14 13 12 11 10 9 8 7 6 5 4 3 2 1

BACKSHELL DETAIL



Partial Z-Z  
SCALE 5:1  
WITH RIBS

Partial Y-Y  
SCALE 5:1  
WITHOUT RIBS



| PART NUMBER | DIMENSIONS |      |      |     |      |     |
|-------------|------------|------|------|-----|------|-----|
|             | A          | B    | C    | D   | E    | F   |
| 34950-0610  | 56         | 13.2 | 9.8  | 3.9 | 0.65 | 2.7 |
| 34950-0620  | 56         | 13.2 | N/A  | N/A | N/A  | N/A |
| 34950-1210  | 56         | 17.7 | 13.6 | 4.2 | 0.83 | 3.1 |
| 34950-1220  | 56         | 17.7 | N/A  | N/A | N/A  | N/A |

|   |   |   |   |  |  |                     |
|---|---|---|---|--|--|---------------------|
| <b>ENTER DESCRIPTION</b><br>IEC NO. UAU2015-1693<br>DRAWN BY: BOURZENSKI, 2015/05/11<br>CHKD:<br>APPR: VKOSHY<br>2015/05/12<br>A6 | QUALITY SYMBOLS<br>∇=0<br>∇=0<br>∇=0  | GENERAL TOLERANCES (UNLESS SPECIFIED)<br>mm INCH<br>4 PLACES ± --- ± ---<br>3 PLACES ± --- ± ---<br>2 PLACES ± 0.1 ± ---<br>1 PLACE ± 0.3 ± ---<br>0 PLACE ± --- ± ---<br>ANGULAR ± 3 °<br>DRAFT WHERE APPLICABLE MUST REMAIN WITHIN DIMENSIONS | DIMENSION STYLE<br>MM ONLY<br>DRAWN BY DATE<br>DAHALL 2013/03/19<br>CHECKED BY DATE<br>APPROVED BY DATE<br>VKOSHY 2013/04/08<br>MATERIAL NO.<br>SEE BOM | SCALE<br>2:1<br>DESIGN UNITS<br>METRIC<br>THIRD ANGLE PROJECTION | TITLE<br>MX150 BLADE<br>DUAL ROW<br>BACKSHELL<br><b>molex</b><br>DOCUMENT NO.<br>SD-34950-0001 | SHEET NO.<br>3 OF 3 |
|   | THIS DRAWING CONTAINS INFORMATION THAT IS PROPRIETARY TO MOLEX INCORPORATED AND SHOULD NOT BE USED WITHOUT WRITTEN PERMISSION |   |   |  |  |                     |
|   | SIZE D  |   |   |  |  |                     |
|   | REV   |   |   |  |  |                     |