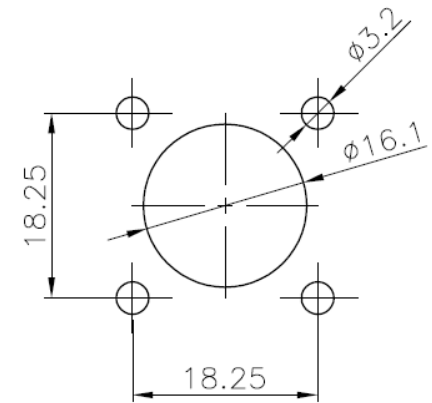
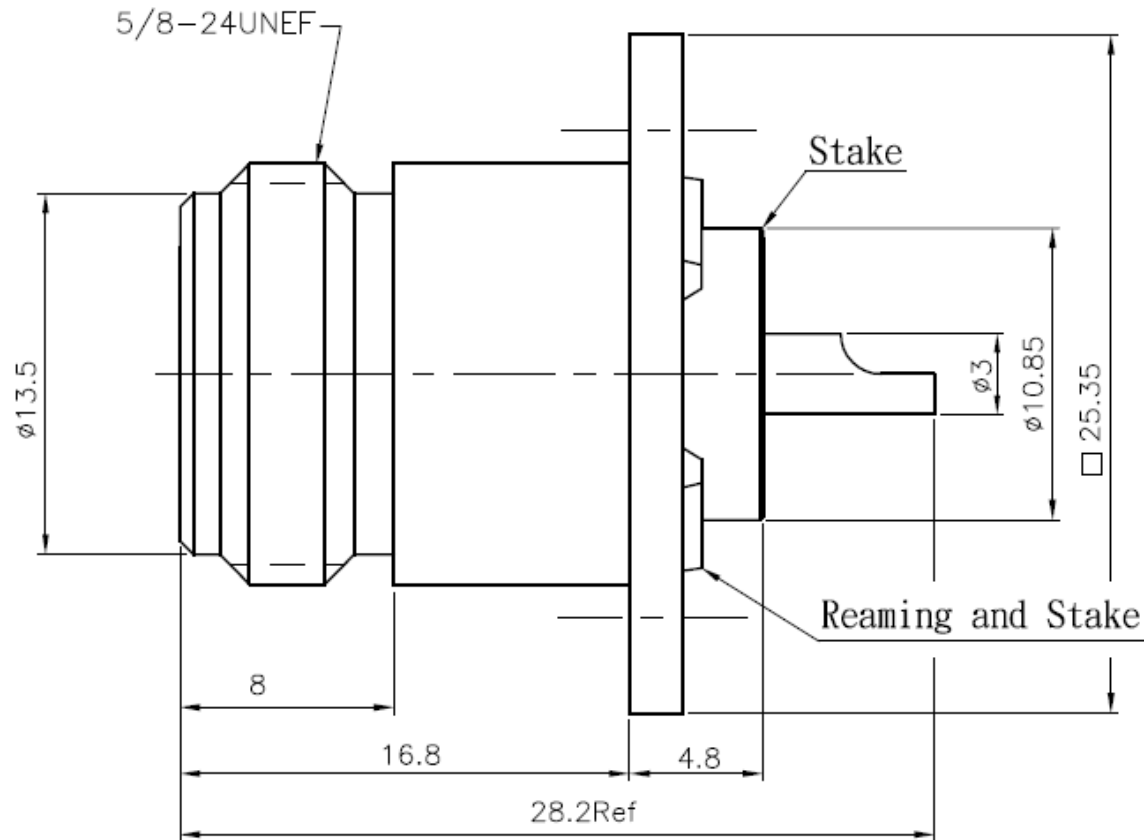




DESCRIPTION: CPAD801 N (F) TO LUG, FLANGE MNT  
 MODEL NUMBER: 26-8011  
 APPLICATION: ADAPTER  
 CRIMP TOOL: N/A  
 IMPEDANCE: N/A  
 FREQUENCY RANGE: N/A  
 MATERIAL: BODY BRASS NICKEL PLATED  
 INSULATOR POM  
 CONTACT BRASS NICKEL PLATED

RoHS COMPLIANCE: YES  
 TECHNICAL DETAIL: REFER TO EMERSON DOCUMENT P/N 26-0000



Recommend Mounting Hole

<p> <small>           This PROPRIETARY Document is property of Cinch Connectivity Solutions. It is confidential in nature, non-transferable, and issued with the clear understanding that it is not traced or copied without permission and is returnable upon demand.            INTERPRET DRAWING IN ACCORDANCE WITH ASME Y14.5-2009.         </small> </p>		<b>AIM-Cambridge</b>	
	<b>RoHS</b> 2002/95/EC	Title: <b>N Type 4 Hole Flange MT Jack Receptacle</b>	
	<small>UNLESS OTHERWISE SPECIFIED UNITS: METRIC</small> .XX ±.51 .XXX ±.127 ANGLES ±2°	Model No. <b>26-8011</b>	
	Size <b>A</b>	DO NOT SCALE DRAWING	Date: <b>8/14/2013</b>