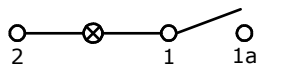


RECOMMENDED PANEL MOUNTING

PANEL THICKNESS	X
0.70-1.25	19.2-19.3
1.25-2.00	19.3-19.4
2.00-3.00	19.5 ± 0.1

INCANDESCENT

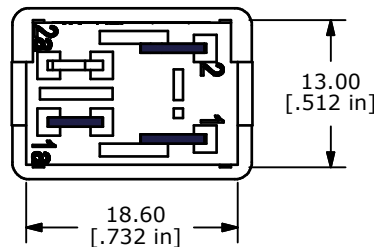
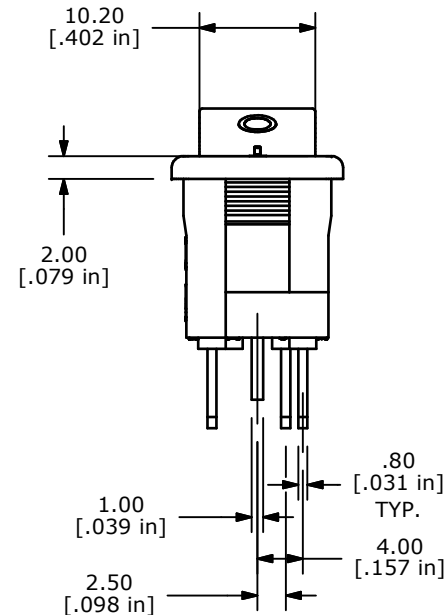
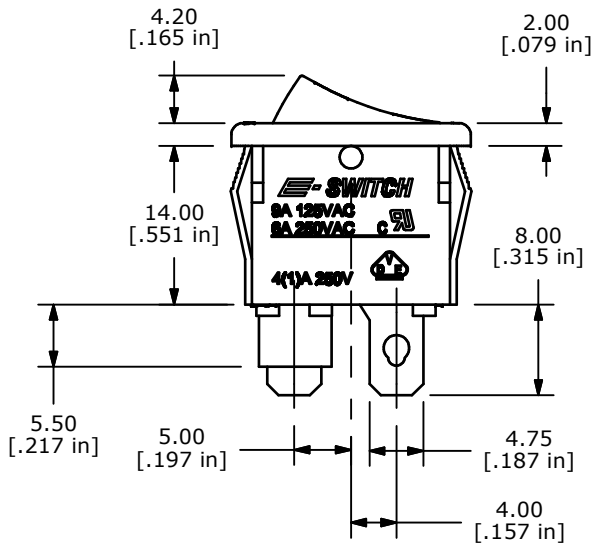
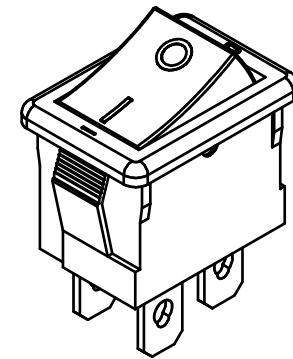
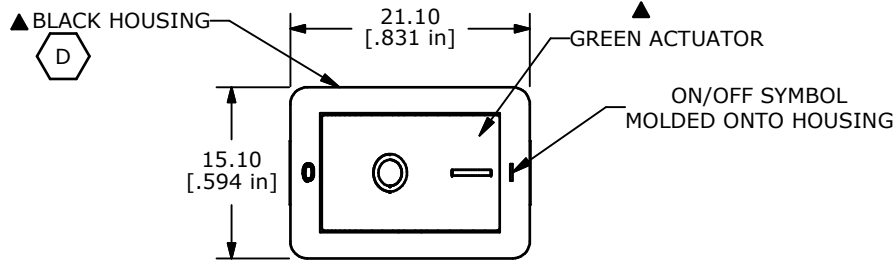
PARAMETERS	SYMBOL	MAX.	UNITS
LAMP VOLTAGE(AC)	V	24	V
POWER DISIPATION	P _D	2	WATTS
CURRENT	I	50	mA



CIRCUIT: SPST ILLUMINATED

NOTES:

1. ALL DIMENSIONS IN MM [INCH]
2. GENERAL TOLERANCE: X.X=±0.4
X.XX=±0.25
3. RATING:
6A @250VAC;9A @125VAC (UL, CSA, VDE)
4(1)A @250VAC
- ▲ 4. LAMP VOLTAGE: 24VDC INCANDESCENT
5. MATERIAL:
CONTACT SURFACE: COIN SILVER, SILVER PLATE
TERMINAL: COPPER ALLOY W/SILVER PLATE.
6. CONTACT RESISTANCE: <20mΩ
7. INSULATION RESISTANCE: >1000MΩ
8. DIELECTRIC STRENGTH:
>1500V RMS min. @SEA LEVEL
9. MECHANICAL LIFE: 30,000 CYCLES.
10. ELECTRICAL LIFE: 10,000 CYCLES
11. ▲ DENOTES CRITICAL PARAMETER.
12. 2002/95/EC (ROHS) COMPLIANT



TITLE R1973ABLKGILFF4

D	21030	BLACK WAS GRAY	2/13/13	EBP
C	19981	CONVERT TO INVENTOR CORRECT TITLE	06/07/11	BMA
REV	PCR NO	DESCRIPTION	DATE	BY

THE INFORMATION CONTAINED IN THIS DOCUMENT IS PROPRIETARY TO E-SWITCH AND IS NOT TO BE COPIED OR TRANSFERRED

SCALE	1.5:1	DATE	6/7/2011	DR	BMA	DWG	M400052	REV	D
-------	-------	------	----------	----	-----	-----	---------	-----	---