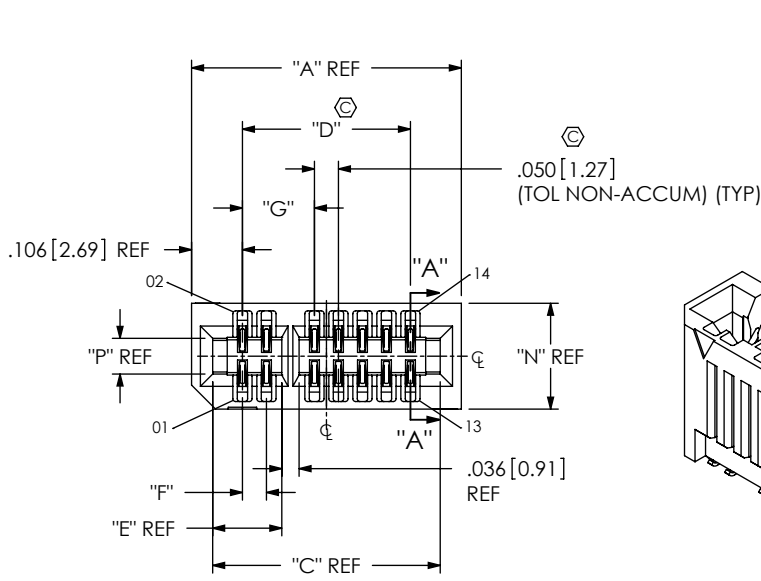


DO NOT SCALE FROM THIS PRINT



No OF POSITIONS (PER ROW)  
 -05, -08, -20, -30, -40, -50, \*-60, \*-70  
 (SEE TABLE 2 FOR POSITION REMOVED TO POLARIZE)

CARD THICKNESS  
 -01: .062" [1.57mm] THICK  
 -02: .093" [2.36mm] THICK

PLATING SPECIFICATION  
 -L: SELECTIVE LIGHT GOLD/TIN TAIL (USE C-308-01-L)

PACKAGING  
 -K: POLYIMIDE FILM PAD (SEE TABLE 6, SHT 2) AVAILABLE WITH -TR ONLY.  
 (-05 THRU -50 POS ONLY)  
 -TR: TAPE & REEL (-05 THRU -50 POS ONLY)

OPTION  
 -NP: NON-POLARIZED (-05, -08, -20 & -30 POSITIONS ONLY) (USE MECF-XX-XX-DV-NP)  
 -WT: WELD TABS (STANDARD ON -02 CARD THICKNESS) (OPTIONAL ON -01 CARD THICKNESS)

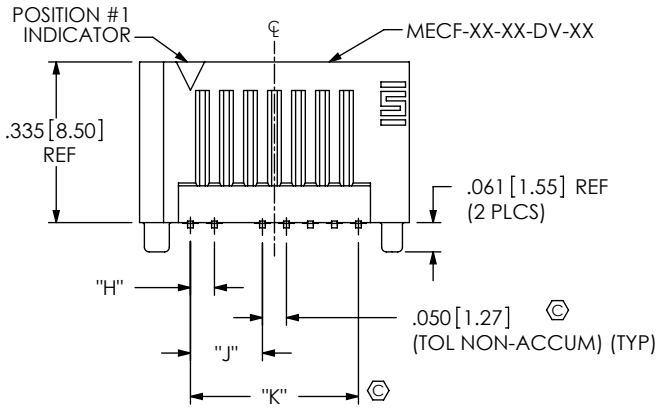
ROW SPECIFICATION  
 -DV: DOUBLE ROW VERTICAL

(\* = NOT TOOLED)

| No OF POS    | COPLANARITY   |
|--------------|---------------|
| -05 THRU -30 | .0040 [0.102] |
| -40 THRU -70 | .0060 [0.157] |

| No OF POS | POLARIZED POSITIONS | "Y" |
|-----------|---------------------|-----|
| **05      | 3, 4                | 2   |
| **08      | 5, 6                | 2   |
| **20      | 15, 16              | 2   |
| **30      | 21, 22              | 2   |
| **40      | 31, 32              | 2   |
| **50      | 41, 42              | 2   |
| ***60     | 31, 32 & 63, 64     | 4   |
| ***70     | 53, 54 & 115, 116   | 4   |

(\* = NOT TOOLED)  
 (\*\* = TOTAL NUMBER OF POSITIONS WILL BE REDUCED BY "Y" FOR POLARIZATION)



| No. OF POS. PER ROW | "A"           | "B"           | "C"             | "D"           | "E"           |
|---------------------|---------------|---------------|-----------------|---------------|---------------|
| -05                 | 0.412 [10.46] | 0.340 [8.64]  | 0.3240 [8.230]  | 0.200 [5.08]  | 0.094 [2.39]  |
| -08                 | 0.562 [14.27] | 0.490 [12.45] | 0.4740 [12.040] | 0.350 [8.89]  | 0.144 [3.66]  |
| -20                 | 1.162 [29.51] | 1.090 [27.69] | 1.0740 [27.280] | 0.950 [24.13] | 0.394 [10.01] |
| -30                 | 1.662 [42.21] | 1.590 [40.39] | 1.5740 [39.980] | 1.450 [36.83] | 0.544 [13.82] |
| -40                 | 2.162 [54.91] | 2.090 [53.09] | 2.0740 [52.680] | 1.950 [49.53] | 0.794 [20.17] |
| -50                 | 2.662 [67.61] | 2.590 [65.79] | 2.5740 [65.380] | 2.450 [62.23] | 1.044 [26.52] |
| *-60                | 3.162 [80.31] | 3.090 [78.49] | 3.0740 [78.080] | 2.950 [74.93] | 0.794 [20.17] |
| *-70                | 3.662 [93.01] | 3.590 [91.19] | 3.5740 [90.780] | 3.450 [87.63] | 1.344 [34.14] |

| No. OF POS. PER ROW | "F"             | "G"             | "H"           | "J"           | "K"           |
|---------------------|-----------------|-----------------|---------------|---------------|---------------|
| -05                 | N/A N/A         | 0.1000 [2.540]  | N/A N/A       | 0.100 [2.54]  | 0.200 [5.08]  |
| -08                 | 0.0500 [1.270]  | 0.1500 [3.810]  | 0.050 [1.27]  | 0.150 [3.81]  | 0.350 [8.89]  |
| -20                 | 0.3000 [7.620]  | 0.4000 [10.160] | 0.300 [7.62]  | 0.400 [10.16] | 0.950 [24.13] |
| -30                 | 0.4500 [11.430] | 0.5500 [13.970] | 0.450 [11.43] | 0.550 [13.97] | 1.450 [36.83] |
| -40                 | 0.7000 [17.780] | 0.8000 [20.320] | 0.700 [17.78] | 0.800 [20.32] | 1.950 [49.53] |
| -50                 | 0.9500 [24.130] | 1.0500 [26.670] | 0.950 [24.13] | 1.050 [26.67] | 2.450 [62.23] |
| *-60                | 0.7000 [17.780] | 0.8000 [20.320] | 0.700 [17.78] | 0.800 [20.32] | 2.950 [74.93] |
| *-70                | 1.2500 [31.750] | 1.3500 [34.290] | 1.250 [31.75] | 1.350 [34.29] | 3.450 [87.63] |

(\* = NOT TOOLED)

| CARD THICKNESS | "N"          | "P"          | "R"          | "S"          |
|----------------|--------------|--------------|--------------|--------------|
| -01 (.062 in)  | 0.220 [5.60] | 0.074 [1.89] | 0.022 [0.55] | 0.183 [4.66] |
| -02 (.093 in)  | 0.248 [6.30] | 0.106 [2.68] | 0.053 [1.34] | 0.215 [5.45] |

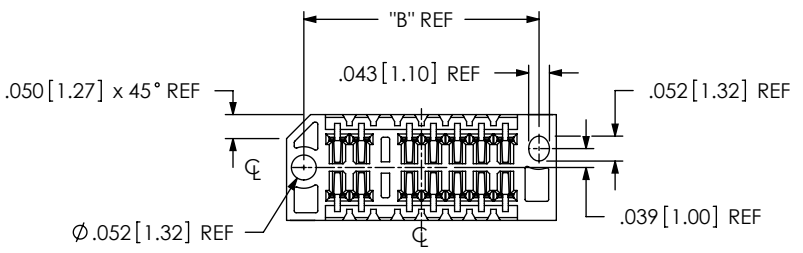

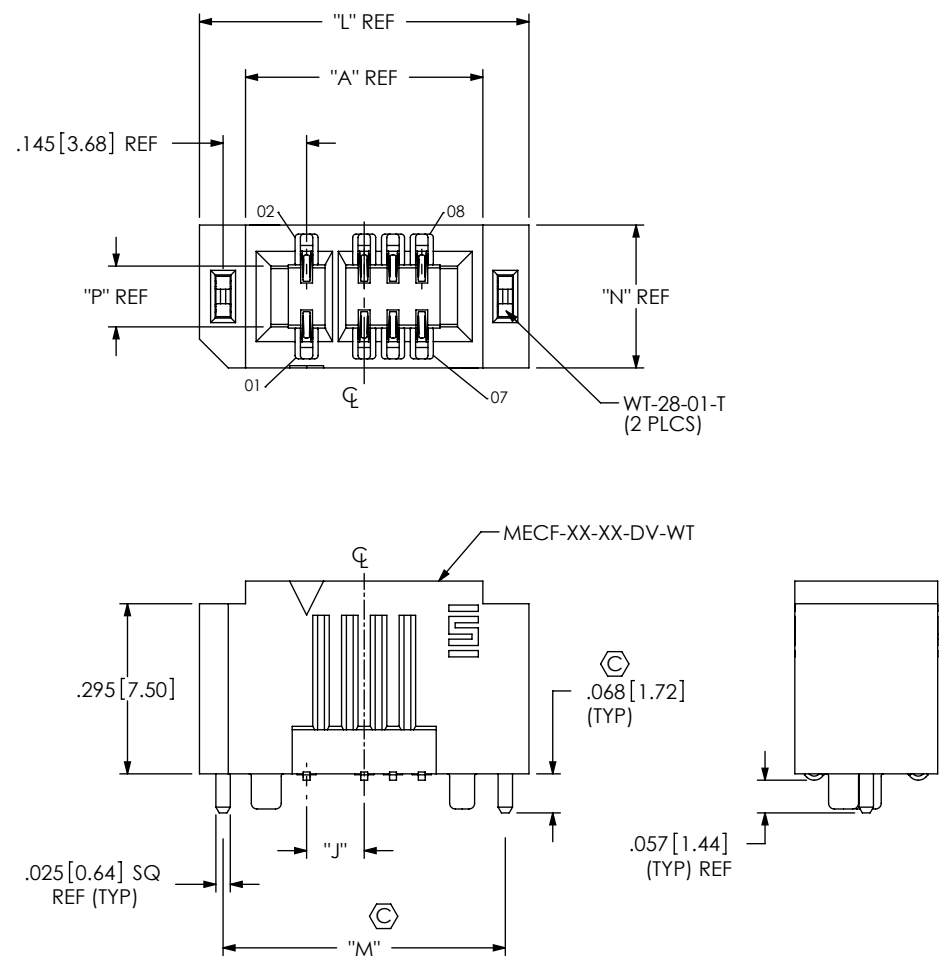


FIG 1  
 (MECF-08-01-XX-DV-XX SHOWN)

- NOTES:
1. (C) REPRESENTS A CRITICAL DIMENSION.
  2. BURR ALLOWANCE: .0015 [0.04] MAX.
  3. MINIMUM PUSHOUT FORCE: 0.50 LBS.
  4. ALL TAIL TO TAIL DIMENSIONS MEASURED TIP TO TIP.
  5. ASSEMBLIES TO BE PACKAGED IN TUBES, UNLESS -TR IS SPECIFIED.
  6. MATING EDGE CARD THICKNESS TOLERANCE NOT TO EXCEED ±10%

|  |  |   |
|--|--|---|
| UNLESS OTHERWISE SPECIFIED, DIMENSIONS ARE IN INCHES [MILLIMETERS]<br>TOLERANCES ARE:<br>DECIMALS ANGLES<br>.XX: ± .01 [0.3] 2°<br>.XXX: ± .005 [0.13]<br>.XXXX: ± .0020 [0.051] | PROPRIETARY NOTE<br>THIS DOCUMENT CONTAINS INFORMATION CONFIDENTIAL AND PROPRIETARY TO SAMTEC, INC. AND SHALL NOT BE REPRODUCED OR TRANSFERRED TO OTHER DOCUMENTS OR DISCLOSED TO OTHERS OR USED FOR ANY PURPOSE OTHER THAN THAT WHICH IT WAS OBTAINED WITHOUT THE EXPRESSED WRITTEN CONSENT OF SAMTEC, INC. | <br>520 PARK EAST BLVD, NEW ALBANY, IN 47150<br>PHONE: 812-944-6733 FAX: 812-948-5047<br>e-Mail: info@SAMTEC.com code: 55322 |
|  |  |   |

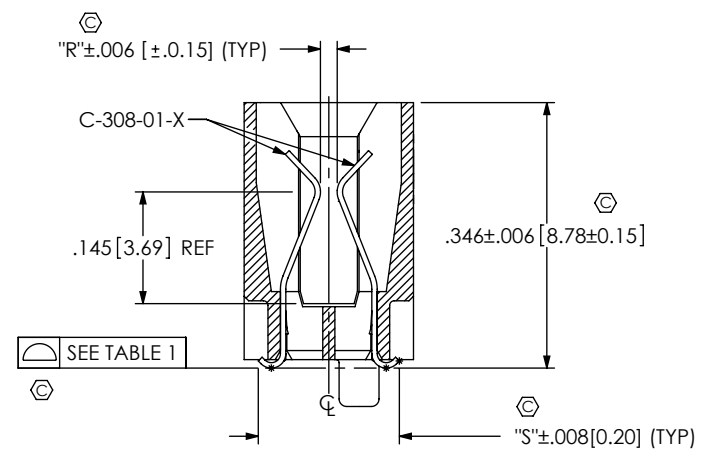


**TABLE 5**

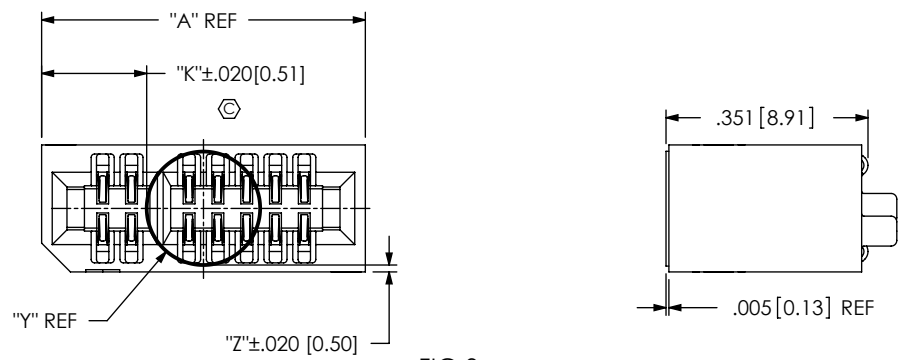
| No. OF POS. PER ROW | "L"           | "M"           |
|---------------------|---------------|---------------|
| -05                 | 0.572 [14.53] | 0.490 [12.45] |
| -08                 | 0.722 [18.34] | 0.640 [16.26] |
| -20                 | 1.322 [33.58] | 1.240 [31.50] |
| -30                 | 1.822 [46.28] | 1.740 [44.20] |
| -40                 | 2.322 [58.98] | 2.240 [56.90] |
| -50                 | 2.822 [71.68] | 2.740 [69.60] |
| *-60                | 3.322 [84.38] | 3.240 [82.30] |
| *-70                | 3.822 [97.08] | 3.740 [95.00] |

(\* = NOT TOOLED)

**FIG 2**  
(MECF-05-02-XX-DV-WT SHOWN)  
(SAME AS FIG 1, EXCEPT AS SHOWN)



**SECTION "A"- "A"**  
**SCALE 4 : 1**



**FIG 3**  
-K OPTION  
(MECF-08-02-XX-DV-WT SHOWN)

**TABLE 6**

| BOARD THICKNESS | "Y"         | "Z"        | "K"                     |             |              |              |               | KAPTON CALL-OUT |                      |
|-----------------|-------------|------------|-------------------------|-------------|--------------|--------------|---------------|-----------------|----------------------|
|                 |             |            | No OF POSITIONS PER ROW |             |              |              |               |                 |                      |
|                 |             |            | -05                     | -08         | -20          | -30          | -40           |                 | -50                  |
| -01             | .197 [5.00] | .012 [3.0] | .108 [2.74]             | .183 [4.65] | .483 [12.27] | .733 [18.62] | .983 [24.97]  | 1.233 [31.32]   | K-DOT-.197-.344-.005 |
| -02             | .236 [5.70] | .006 [1.5] | .088 [2.24]             | .163 [4.14] | .463 [11.76] | .713 [18.11] | .963 [24.46]  | 1.213 [30.81]   | K-DOT-.236-.343-.005 |
| -01 WITH -WT    | .197 [5.00] | .012 [3.0] | .188 [4.78]             | .263 [6.68] | .563 [14.30] | .813 [20.65] | 1.063 [27.00] | 1.313 [33.35]   | K-DOT-.197-.344-.005 |
| -02 WITH -WT    | .236 [5.72] | .006 [1.5] | .168 [4.42]             | .243 [6.32] | .543 [13.94] | .793 [20.29] | 1.043 [26.64] | 1.293 [32.99]   | K-DOT-.236-.343-.005 |

**PROPRIETARY NOTE**  
THIS DOCUMENT CONTAINS INFORMATION CONFIDENTIAL AND PROPRIETARY TO SAMTEC, INC. AND SHALL NOT BE REPRODUCED OR TRANSFERRED TO OTHER DOCUMENTS OR DISCLOSED TO OTHERS OR USED FOR ANY PURPOSE OTHER THAN THAT WHICH IT WAS OBTAINED WITHOUT THE EXPRESSED WRITTEN CONSENT OF SAMTEC, INC.

DO NOT SCALE DRAWING

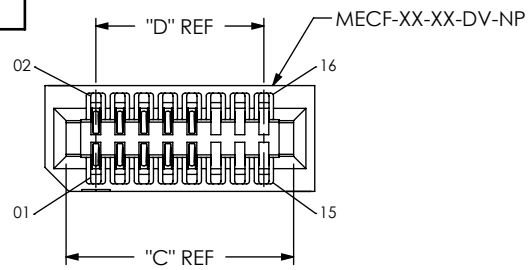
SHEET SCALE: 1:0.444444

520 PARK EAST BLVD, NEW ALBANY, IN 47150  
PHONE: 812-944-6733 FAX: 812-948-5047  
e-Mail: info@SAMTEC.com code: 55322

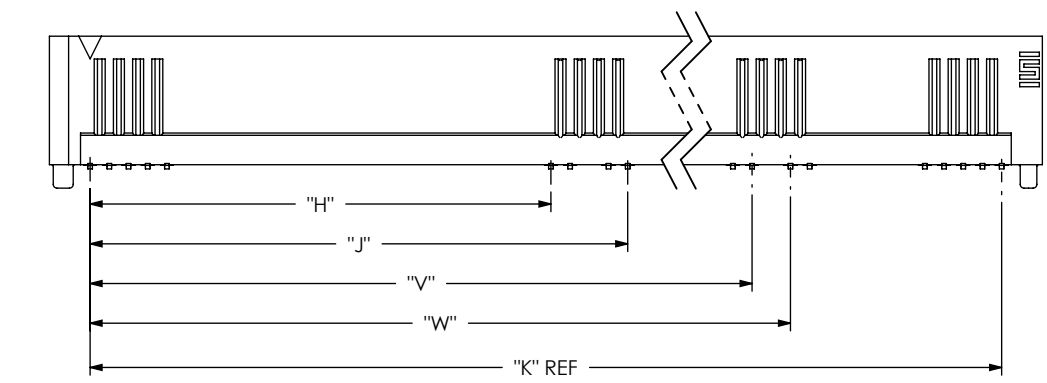
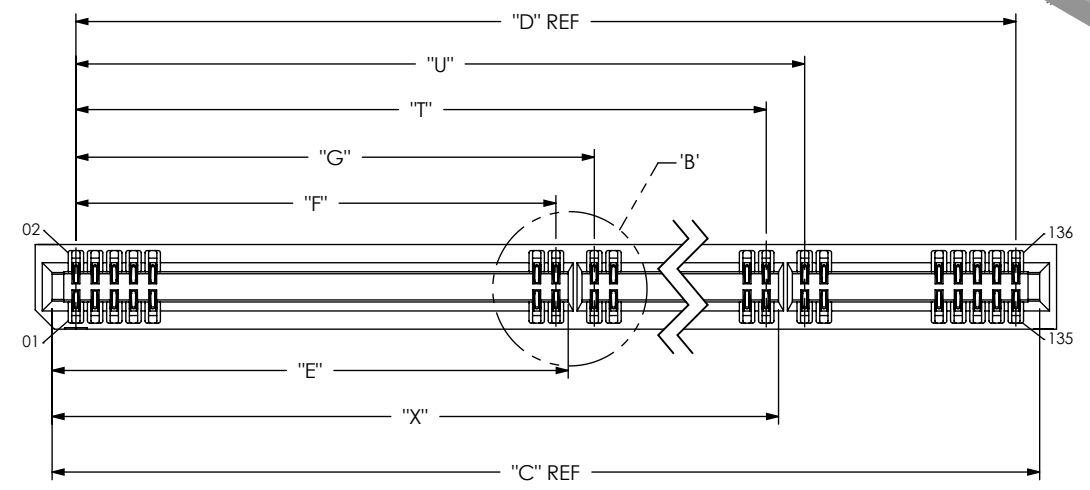
DESCRIPTION:  
**MECF .050" EDGE CARD ASSEMBLY**

DWG. NO.  
**MECF-XX-XX-XX-DV-XX-XX**

BY: KNOWLDEN 3/12/10 SHEET 2 OF 3



**FIG 4**  
(MECF-08-01-XX-DV-NP SHOWN)  
(SAME AS FIG 1, EXCEPT AS SHOWN)

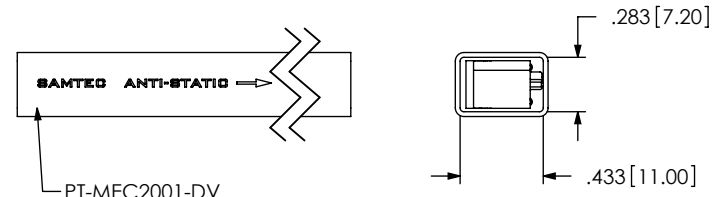


**TABLE 7**

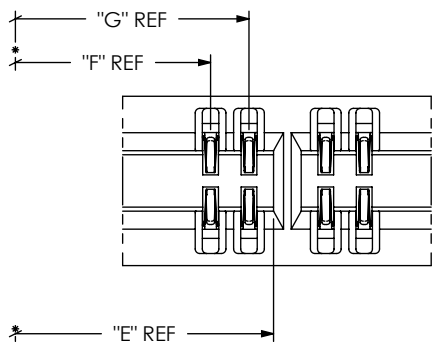
| No. OF POS. PER ROW | "T"             | "U"            | "V"           | "W"           | "X"           |
|---------------------|-----------------|----------------|---------------|---------------|---------------|
| *-60                | 1.5000 [38.100] | 1.600 [40.640] | 1.500 [38.10] | 1.600 [40.64] | 1.594 [40.49] |
| *-70                | 2.8000 [71.120] | 2.900 [73.660] | 2.800 [71.12] | 2.900 [73.66] | 2.894 [73.51] |

(\* = NOT TOOLED)

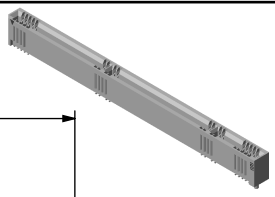
**FIG 5**  
(MECF-70-01-XX-DV-XX SHOWN)  
(SAME AS FIG 1, EXCEPT AS SHOWN)  
(SOME CENTER FEATURES REMOVED FOR CLARITY)  
(NOT TOOLED)



**FIG 6**  
(MECF-XX-02-XX-DV-WT)  
(SHOWN IN PACKAGING TUBE)



**DETAIL 'B'**  
SCALE 4 : 1



**PROPRIETARY NOTE**  
THIS DOCUMENT CONTAINS INFORMATION CONFIDENTIAL AND PROPRIETARY TO SAMTEC, INC. AND SHALL NOT BE REPRODUCED OR TRANSFERRED TO OTHER DOCUMENTS OR DISCLOSED TO OTHERS OR USED FOR ANY PURPOSE OTHER THAN THAT WHICH IT WAS OBTAINED WITHOUT THE EXPRESSED WRITTEN CONSENT OF SAMTEC, INC.

DO NOT SCALE DRAWING  
SHEET SCALE: 1:0.4



520 PARK EAST BLVD, NEW ALBANY, IN 47150  
PHONE: 812-944-6733 FAX: 812-948-5047  
e-Mail: info@SAMTEC.com code: 55322

DESCRIPTION: MECF .050" EDGE CARD ASSEMBLY

DWG. NO. MECF-XX-XX-XX-DV-XX-XX

BY: KNOWLDEN3/12/10 SHEET 3 OF 3