

Light Curtain Type 2

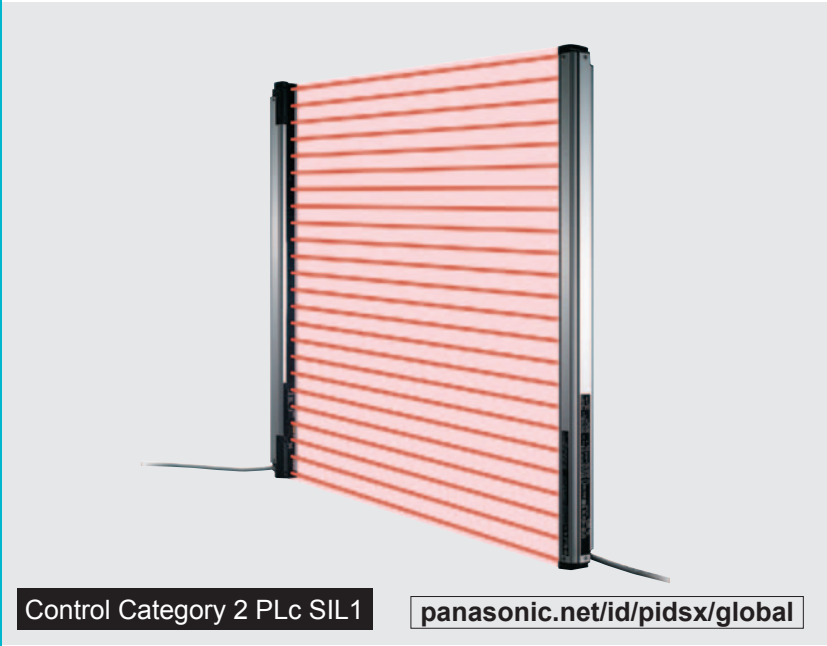
SF2B SERIES Ver.2

Related Information

- General terms and conditions..... F-7
- Sensor selection guide P.497~
- Glossary of terms / General precautions... P.1455~ / P.1458~
- SF-C10 P.703~

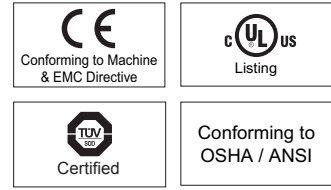
- FIBER SENSORS
- LASER SENSORS
- PHOTOELECTRIC SENSORS
- MICRO PHOTOELECTRIC SENSORS
- AREA SENSORS
- LIGHT CURTAINS / SAFETY COMPONENTS
- PRESSURE / FLOW SENSORS
- INDUCTIVE PROXIMITY SENSORS
- PARTICULAR USE SENSORS
- SENSOR OPTIONS
- SIMPLE WIRE-SAVING UNITS
- WIRE-SAVING SYSTEMS
- MEASUREMENT SENSORS
- STATIC ELECTRICITY PREVENTION DEVICES
- LASER MARKERS
- PLC
- HUMAN MACHINE INTERFACES
- ENERGY CONSUMPTION VISUALIZATION COMPONENTS
- FA COMPONENTS
- MACHINE VISION SYSTEMS
- UV CURING SYSTEMS

- Selection Guide
- Light Curtains
- Safety Components
- Optical Touch Switch
- Control Units
- Definition of Sensing Heights
- SF4B-C
- SF4C
- SF2C
- SF4B
- SF2B
- BSF4-AH80



Control Category 2 PLc SIL1

panasonic.net/id/pidsx/global



Upgrade Guide

Upgraded to version 2.0 from January 2009 shipments.

Protection
 Conventional: IP65 (IEC)
 ↓
 Ver.2: IP65 / IP67 (IEC, JIS)

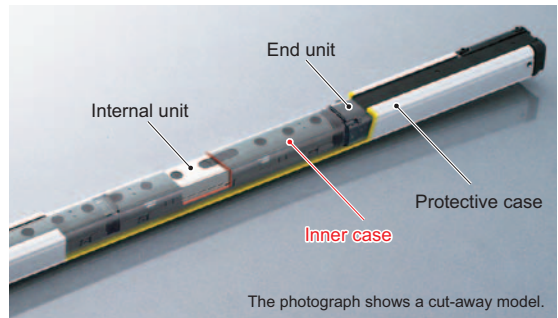


Type 2 safety solution

International regulations for safety measures at reasonable cost

Protective structure IP67* is achieved with a seamless structure that has reduced seams *Version 2.0 or later

The inner unit is protected by a cylindrical inner case. The seams of unit and lens surfaces have been greatly reduced, so that particles of oil mists and dust are prevented from getting in.



Extensive range of variations available with sensing widths from 168 mm to 1,912 mm 6.614 in to 75.275 in

Two types are available for different minimum sensing object sizes.

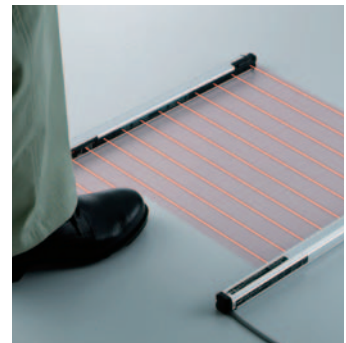
Hand protection type SF2B-H□

Minimum sensing object
 ø27 mm **1.063 in**
 (20 mm **0.787 in**)
 (beam pitch)




Arm / Foot protection type SF2B-A□

Minimum sensing object
 ø47 mm **1.850 in**
 (40 mm **1.575 in**)
 (beam pitch)

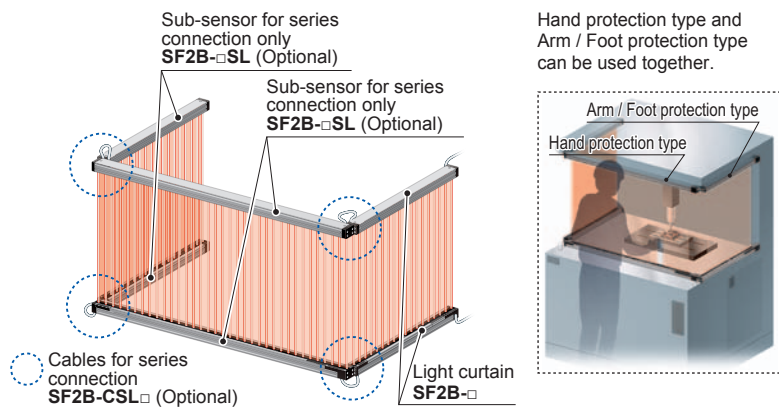


Series connection of up to three sets is possible

Sub-sensors for series connection (optional) can be used to connect up to three sets of light curtains (up to a total of 128 beam channels maximum; however, the **SF2B-A** allows up to 96 beam channels when two sets are connected, and up to 64 beam channels when three sets are connected).



- The light curtains and the sub-sensors for serial connection (optional) have different models. When connecting light curtains in series, be sure to use the sub-sensors for serial connection and serial connection cables which are sold separately.
- The **SF2B-H8** and **SF2B-A4** cannot be connected in series. For details, refer to "Series connection" of "PRECAUTIONS FOR PROPER USE".

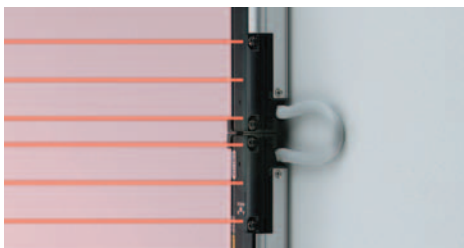


"ZERO" dead zone. Unit length = protective height, so mounting is possible with no dead zone

The sensing area contains no dead spaces. Even with series connections, there are no dangerous openings at the interfaces between light curtains. This makes a simpler and more compact installation possible.

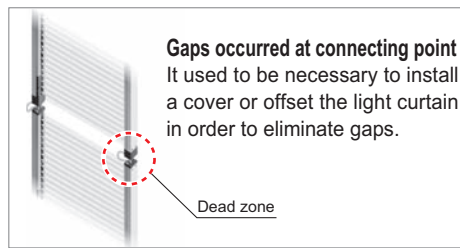
SF2B

"ZERO" dead zone when using series mounting



Previous model

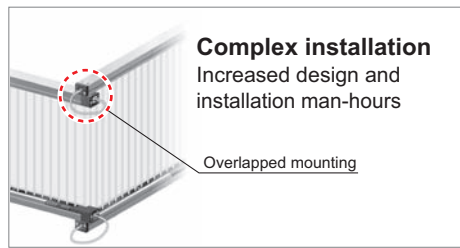
Dead zone when using series mounting



"ZERO" dead zone when using L-shaped mounting



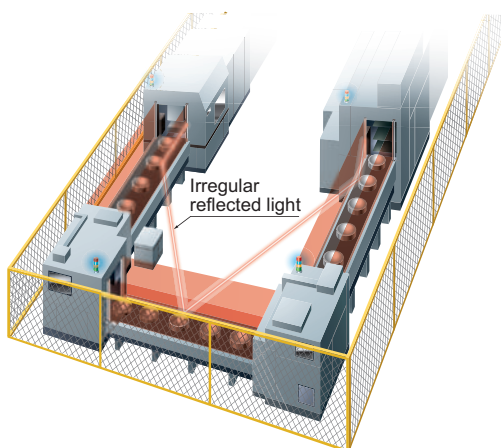
Overlapped mounting when using L-shaped mounting



Note: The **SF2B-H8** and **SF2B-A4** cannot be connected in series. For details, refer to "PRECAUTIONS FOR PROPER USE (p.626~)".

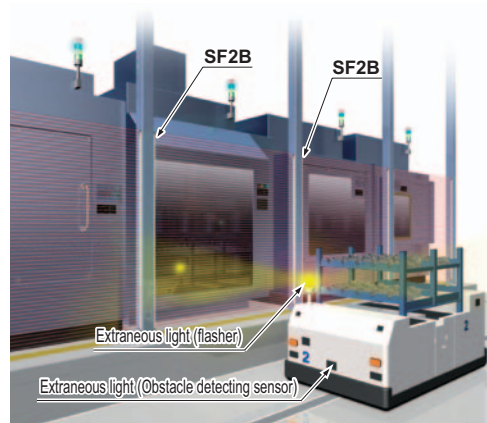
Mutual interference is reduced without need for interference prevention lines

The scan timing of the light curtain is automatically shifted in order to reduce mutual interference.



Reducing the number of malfunctions caused by extraneous light

A double scanning method and retry processing are new functions exclusive to that are effective in eliminating the effect of momentary extraneous light from peripheral equipment.



FIBER SENSORS

LASER SENSORS

PHOTOELECTRIC SENSORS

MICRO PHOTOELECTRIC SENSORS

AREA SENSORS

LIGHT CURTAINS / SAFETY COMPONENTS

PRESSURE / FLOW SENSORS

INDUCTIVE PROXIMITY SENSORS

PARTICULAR USE SENSORS

SENSOR OPTIONS

SIMPLE WIRE-SAVING UNITS

WIRE-SAVING SYSTEMS

MEASUREMENT SENSORS

STATIC ELECTRICITY PREVENTION DEVICES

LASER MARKERS

PLC

HUMAN MACHINE INTERFACES

ENERGY CONSUMPTION VISUALIZATION COMPONENTS

FA COMPONENTS

MACHINE VISION SYSTEMS

UV CURING SYSTEMS

Selection Guide

Light Curtains

Safety Components

Optical Touch Switch

Control Units

Definition of Sensing Heights

SF4B-C

SF4C

SF2C

SF4B

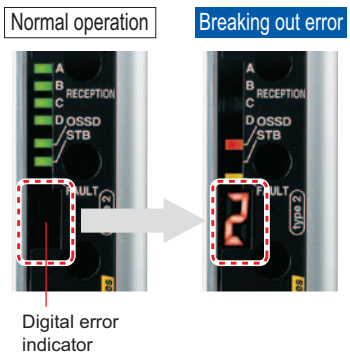
SF2B

BSF4-AH80

| |
|---|
| FIBER SENSORS |
| LASER SENSORS |
| PHOTOELECTRIC SENSORS |
| MICRO PHOTOELECTRIC SENSORS |
| AREA SENSORS |
| LIGHT CURTAINS / SAFETY COMPONENTS |
| PRESSURE / FLOW SENSORS |
| INDUCTIVE PROXIMITY SENSORS |
| PARTICULAR USE SENSORS |
| SENSOR OPTIONS |
| SIMPLE WIRE-SAVING UNITS |
| WIRE-SAVING SYSTEMS |
| MEASUREMENT SENSORS |
| STATIC ELECTRICITY PREVENTION DEVICES |
| LASER MARKERS |
| PLC |
| HUMAN MACHINE INTERFACES |
| ENERGY CONSUMPTION VISUALIZATION COMPONENTS |
| FA COMPONENTS |
| MACHINE VISION SYSTEMS |
| UV CURING SYSTEMS |
| Selection Guide |
| Light Curtains |
| Safety Components |
| Optical Touch Switch |
| Control Units |
| Definition of Sensing Heights |
| SF4B-C |
| SF4C |
| SF2C |
| SF4B |
| SF2B |
| BSF4-AH80 |

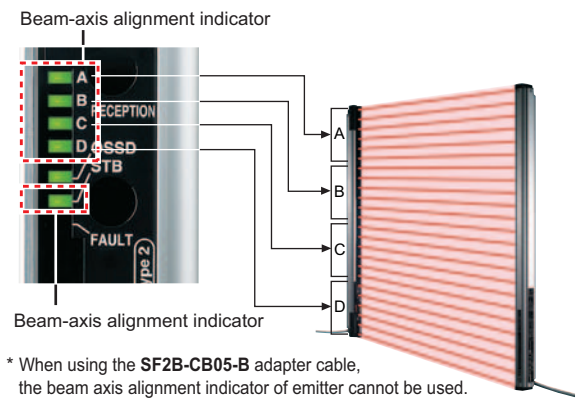
Equipped with a digital error indicator so that error details can be understood at a glance

The system constantly checks the light curtain for problems such as incorrect cable wiring, disconnection, short-circuits, internal circuit problems, and incoming light problems. If a problem should occur, details of the error appear on the digital display. Therefore, smooth support is possible if problems occur at startup and during maintenance operations, even if assistance is given via telephone.



Beam-axis alignment indicators show the incident light position at a glance

Beam-axis alignment indicators display the beam channels of the light curtain in four blocks. The blocks where the beam axes match will light up in red in turn. When all the beam axes receive light, all the LEDs light up green. Furthermore, a stability indicator (STB.) lights up when there is sufficient incoming light.

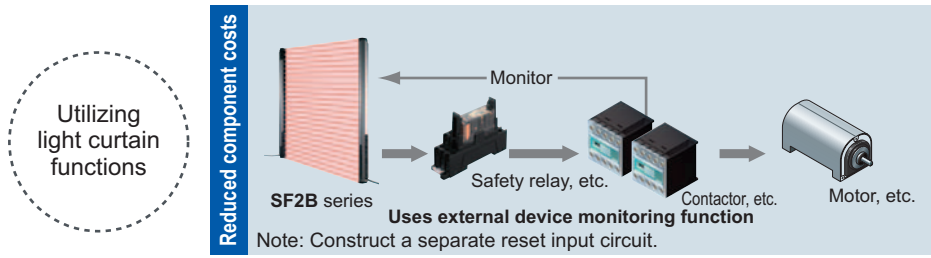


Adapter cables and adapter mounting brackets are available so that previous peripheral devices for light curtains can still be used

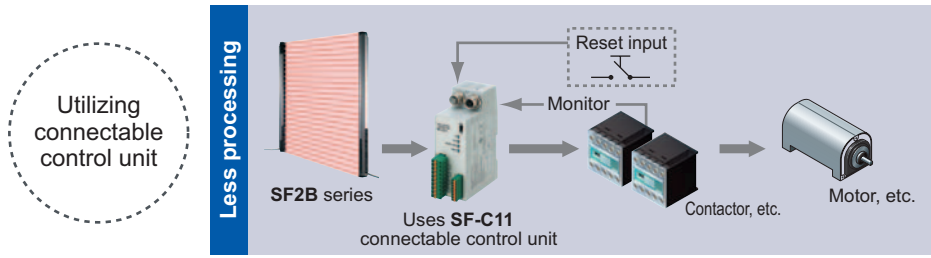
The light curtain SF2-A / SF2-N series (discontinued model), area sensor NA40 series, and SF1-N series (discontinued model) can be replaced with the SF2B series using the current mounting holes and connection cables.

Selectable safety circuits

The light curtain unit has a built-in monitoring function for external devices (such as fused relay monitoring). This supports the construction of light curtain peripheral safety circuits which do not use a safety relay unit, and contributes to reduced costs and a more compact control panel. In addition, a connectable control unit is used, so that a safety circuit that is easy to construct and easy to install can be selected.



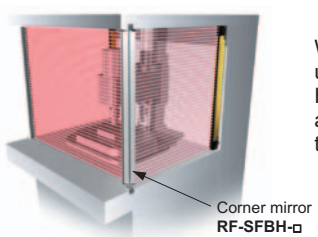
Recommended safety relays
Panasonic Corporation
Model No.: SF series



Note: Contact the manufacturers for details on the recommended products.

Significant cost reduction is achieved by using corner mirror

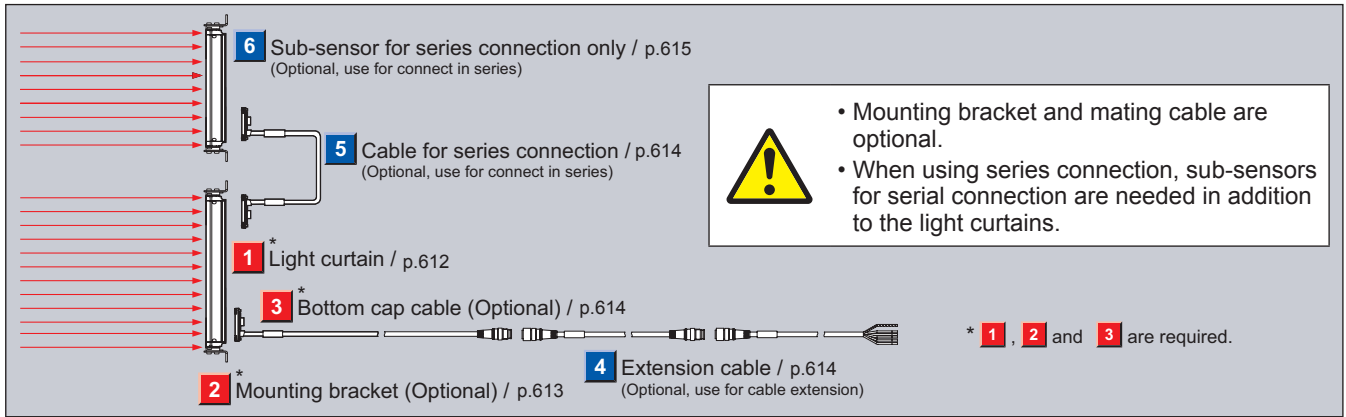
By using a single corner mirror, light curtain and peripheral safety circuit for one set are eliminated. Enables significant cost reduction and savings on wiring. The control category is unchanged.



When setting up the light curtains in the L-shape or U-shape, usually two or three sets of the light curtains are required. However, using the corner mirror to reflect the laser light allows only one set of the light curtains to be set up at the L-shape or U-shape.



PRODUCT CONFIGURATION



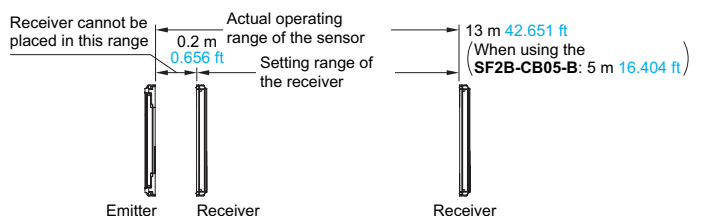
ORDER GUIDE

1 Light curtains Mounting bracket and bottom cap cable are not supplied with the light curtain. Be sure to order them separately.

| Type | Appearance | Operating range (Note 1) | Model No. (Note 5) | | Number of beam channels | Protective height (mm in) (Note 4) |
|--|------------|--|--------------------|--------------------|-------------------------|---------------------------------------|
| | | | NPN output type | PNP output type | | |
| Hand protection type Min. sensing object $\phi 27$ mm $\phi 1.063$ in (20 mm 0.787 in beam pitch) | | 0.2 to 13 m 0.656 to 42.651 ft When using the adapter cable SF2B-CB05-B: 0.2 to 5 m (0.656 to 16.404 ft) | SF2B-H8-N (Note 2) | SF2B-H8-P (Note 2) | 8 | 168 6.614 |
| | | | SF2B-H12-N | SF2B-H12-P | 12 | 232 9.134 |
| | | | SF2B-H16-N | SF2B-H16-P | 16 | 312 12.283 |
| | | | SF2B-H20-N | SF2B-H20-P | 20 | 392 15.433 |
| | | | SF2B-H24-N | SF2B-H24-P | 24 | 472 18.583 |
| | | | SF2B-H28-N | SF2B-H28-P | 28 | 552 21.732 |
| | | | SF2B-H32-N | SF2B-H32-P | 32 | 632 24.882 |
| | | | SF2B-H36-N | SF2B-H36-P | 36 | 712 28.031 |
| | | | SF2B-H40-N | SF2B-H40-P | 40 | 792 31.181 |
| | | | SF2B-H48-N | SF2B-H48-P | 48 | 952 37.480 |
| | | | SF2B-H56-N | SF2B-H56-P | 56 | 1,112 43.779 |
| | | | SF2B-H64-N | SF2B-H64-P | 64 | 1,272 50.079 |
| | | | SF2B-H72-N | SF2B-H72-P | 72 | 1,432 56.378 |
| | | | SF2B-H80-N | SF2B-H80-P | 80 | 1,592 62.677 |
| | | | SF2B-H88-N | SF2B-H88-P | 88 | 1,752 68.976 |
| | | | SF2B-H96-N | SF2B-H96-P | 96 | 1,912 75.275 |
| Arm / Foot protection type Min. sensing object $\phi 47$ mm $\phi 1.850$ in (40 mm 1.575 in beam pitch) | | 0.2 to 13 m 0.656 to 42.651 ft When using the adapter cable SF2B-CB05-B: 0.2 to 5 m (0.656 to 16.404 ft) | SF2B-A4-N (Note 2) | SF2B-A4-P (Note 2) | 4 | 168 6.614 |
| | | | SF2B-A6-N | SF2B-A6-P | 6 | 232 9.134 |
| | | | SF2B-A8-N | SF2B-A8-P | 8 | 312 12.283 |
| | | | SF2B-A10-N | SF2B-A10-P | 10 | 392 15.433 |
| | | | SF2B-A12-N | SF2B-A12-P | 12 | 472 18.583 |
| | | | SF2B-A14-N | SF2B-A14-P | 14 | 552 21.732 |
| | | | SF2B-A16-N | SF2B-A16-P | 16 | 632 24.882 |
| | | | SF2B-A18-N | SF2B-A18-P | 18 | 712 28.031 |
| | | | SF2B-A20-N | SF2B-A20-P | 20 | 792 31.181 |
| | | | SF2B-A24-N | SF2B-A24-P | 24 | 952 37.480 |
| | | | SF2B-A28-N | SF2B-A28-P | 28 | 1,112 43.779 |
| | | | SF2B-A32-N | SF2B-A32-P | 32 | 1,272 50.079 |
| SF2B-A36-N | SF2B-A36-P | 36 | 1,432 56.378 | | | |
| SF2B-A40-N | SF2B-A40-P | 40 | 1,592 62.677 | | | |
| SF2B-A44-N | SF2B-A44-P | 44 | 1,752 68.976 | | | |
| SF2B-A48-N | SF2B-A48-P | 48 | 1,912 75.275 | | | |

Notes: 1) The "operating range" is the possible setting distance between the emitter and the receiver.

- The SF2B-H8-□ and SF2B-A4-□ cannot be connected in series because they do not include a connector for series connection. Refer to "PRECAUTIONS FOR PROPER USE (p.626~)" for details.
- The distance between the tip of the light curtain and the last beam axis of the SF2B-H8-□ and SF2B-A4-□ is 22 mm 0.866 in.
- Refer to "Definition of light curtain and area sensor sensing heights (p.727)" for details of the protective height.
- Models which have an "E" symbol in the model No. on the name plate are emitters, and those with a "R" symbol are receivers.



FIBER SENSORS
LASER SENSORS
PHOTO-ELECTRIC SENSORS
MICRO PHOTO-ELECTRIC SENSORS
AREA SENSORS
LIGHT CURTAINS / SAFETY COMPONENTS
PRESSURE / FLOW SENSORS
INDUCTIVE PROXIMITY SENSORS
PARTICULAR USE SENSORS
SENSOR OPTIONS
SIMPLE WIRE-SAVING UNITS
WIRE-SAVING SYSTEMS
MEASUREMENT SENSORS
STATIC ELECTRICITY PREVENTION DEVICES
LASER MARKERS
PLC
HUMAN MACHINE INTERFACES
ENERGY CONSUMPTION VISUALIZATION COMPONENTS
FA COMPONENTS
MACHINE VISION SYSTEMS
UV CURING SYSTEMS

Selection Guide
Light Curtains
Safety Components
Optical Touch Switch
Control Units
Definition of Sensing Heights

SF4B-C
SF4C
SF2C
SF4B
SF2B
BSF4-AH80

ORDER GUIDE

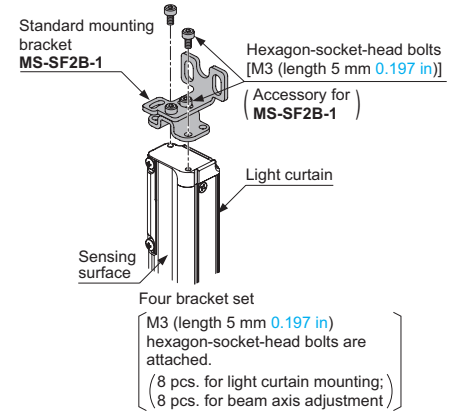
2 Mounting brackets Mounting bracket is not supplied with the light curtain. Be sure to order it separately.

| Designation | Appearance | Model No. | Description |
|--------------------------------|---|------------------|---|
| Standard mounting bracket | | MS-SF2B-1 | Used to mount the light curtain on the rear surface and side surface (4 pcs. per set for emitter and receiver) |
| Dead zoneless mounting bracket | | MS-SF2B-3 | Mounting of the light curtain is possible so that the mounting bracket does not project past the protective height (light curtain length). (4 pcs. per set for emitter and receiver) |
| Adapter mounting brackets | For SF2-A / SF2-N For rear and side mounting | MS-SF2B-5 | Used when replacing units in the SF2-A / SF2-N series. (discontinue mode) (4 pcs. per set for emitter and receiver) |
| | For SF1-N / NA40 For rear mounting | MS-SF2B-4 | Used when replacing units in the SF1-N (discontinue mode) / NA40 series which are using the MS-SF1-1 / MS-NA40-1 sensor mounting brackets. (Note) (4 pcs. per set for emitter and receiver) |
| | For NA40 For side mounting | MS-SF2B-6 | Used when replacing units in the NA40 series which are side mounted (direct mounted). (Note) (4 pcs. per set for emitter and receiver) |
| | For SF1-N For side mounting | MS-SF2B-7 | Used when replacing units in the SF1-N series (discontinue mode) which are side mounted (discontinue mode). (4 pcs. per set for emitter and receiver) |

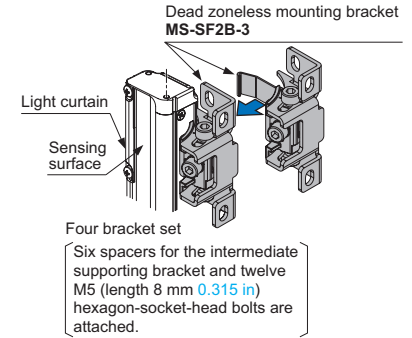
Note: **SF1-N**-compatible mounting bracket can also be used for **SF1-S / SF1-A** series products that are discontinued. The **NA40**-compatible mounting bracket can also be used for **NA40-S / NA40-B** series products that are discontinued.

Standard mounting bracket

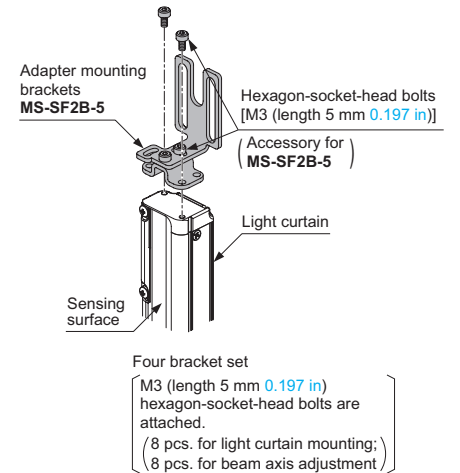
• **MS-SF2B-1**



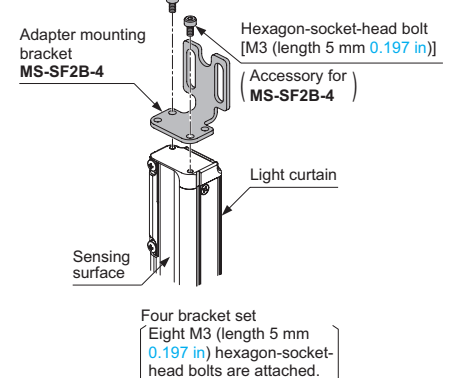
• **MS-SF2B-3**



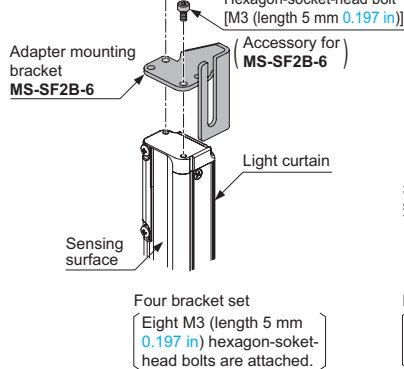
• **MS-SF2B-5**



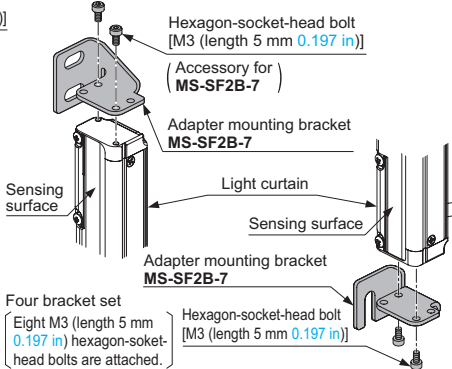
• **MS-SF2B-4**



• **MS-SF2B-6**



• **MS-SF2B-7**



- FIBER SENSORS
- LASER SENSORS
- PHOTO-ELECTRIC SENSORS
- MICRO PHOTO-ELECTRIC SENSORS
- AREA SENSORS
- LIGHT CURTAINS / SAFETY COMPONENTS
- PRESSURE / FLOW SENSORS
- INDUCTIVE PROXIMITY SENSORS
- PARTICULAR USE SENSORS
- SENSOR OPTIONS
- SIMPLE WIRE-SAVING UNITS
- WIRE-SAVING SYSTEMS
- MEASUREMENT SENSORS
- STATIC ELECTRICITY PREVENTION DEVICES
- LASER MARKERS
- PLC
- HUMAN MACHINE INTERFACES
- ENERGY CONSUMPTION VISUALIZATION COMPONENTS
- FA COMPONENTS
- MACHINE VISION SYSTEMS
- UV CURING SYSTEMS
- Selection Guide
- Light Curtains
- Safety Components
- Optical Touch Switch
- Control Units
- Definition of Sensing Heights
- SF4B-C
- SF4C
- SF2C
- SF4B
- SF2B
- BSF4-AH80

ORDER GUIDE

3 4 5 Bottom cap cable / Extension cable / Cables for series connection Mating cable is not supplied with the light curtain. Be sure to order it separately.

| Type | Appearance | Model No. | Description | |
|-----------------------------|---|---------------------|--|--|
| 8-core cable | Discrete wire | SF2B-CCB3 | Cable length: 3 m 9.843 ft Net weight: 370 g approx. (2 cables) | |
| | | SF2B-CCB7 | Cable length: 7 m 22.966 ft Net weight: 820 g approx. (2 cables) | |
| | | SF2B-CCB10 | Cable length: 10 m 32.808 ft Net weight: 1,160 g approx. (2 cables) | |
| | | SF2B-CCB15 | Cable length: 15 m 49.213 ft Net weight: 1,720 g approx. (2 cables) | |
| | Connector | | SF2B-CB05 | Cable length: 0.5 m 1.640 ft Net weight: 95 g approx. (2 cables) |
| | | | SF2B-CB5 | Cable length: 5 m 16.404 ft Net weight: 620 g approx. (2 cables) |
| | | | SF2B-CB10 | Cable length: 10 m 32.808 ft Net weight: 1,200 g approx. (2 cables) |
| | Discrete wire | | SFB-CC3 | Cable length: 3 m 9.843 ft Net weight: 380 g approx. (2 cables) |
| | | | SFB-CC10 | Cable length: 10 m 32.808 ft Net weight: 1,200 g approx. (2 cables) |
| | | | SFB-CCJ10E | Cable length: 10 m 32.808 ft Net weight: 580 g approx. (1 cable) |
| | | | | SFB-CCJ10D |
| | Adapter cable (Bottom cap cable) | | SF2B-CB05-A | Cable length: 0.5 m 1.640 ft Net weight: 95 g approx. (2 cables) |
| SF2B-CB05-B | | | Cable length: 0.5 m 1.640 ft Net weight: 95 g approx. (2 cables) | |
| 4-core cable | * Please contact our office for wiring of adapter cables. | * For SF2-A / SF2-N | | |
| | | * For SF1-N / NA40 | | |
| Cable for series connection | | SF2B-CSL01 | Cable length: 0.1 m 0.328 ft Net weight: 70 g approx. (2 cables) | |
| | | SF2B-CSL05 | Cable length: 0.5 m 1.640 ft Net weight: 120 g approx. (2 cables) | |

* Interchangeability function

- This function is used for replacing other light curtains or area sensors with these new units. The bottom cap cables and sensor mounting brackets used will vary depending on the models being replaced. Refer to the instruction manual for details on actual wiring and mounting.

| Models being replaced | Adapter cable | Adapter mounting bracket | Details of changes and points to note |
|---|--------------------|---|---|
| SF2-A / SF2-N series (Discontinued product) | SF2B-CB05-A | MS-SF2B-5 | <ul style="list-style-type: none"> NPN output type: Connect the shielded wire to +V. PNP output type: Connect the shielded wire to 0 V. Existing SF2N-CC connection cables (optional) can be used without change. The interference prevention function (parallel connection) cannot be used. |
| SF1-N series (Discontinued product) | SF2B-CB05-B | When using the MS-SF1-1: MS-SF2B-4 For direct mounting: MS-SF2B-7 | <ul style="list-style-type: none"> Emitter: Synchronization cable has changed to interference prevention cable. (Note 1) Receiver: Synchronization cable has changed to control output (OSSD 1). (Note 2) (Note 3) Existing SF1-CC connection cables (optional) can be used without change. The beam axis alignment indicator of emitter cannot be used. |
| NA40 series | SF2B-CB05-B | When using the MS-NA40-1: MS-SF2B-4 For direct mounting: MS-SF2B-6 | <ul style="list-style-type: none"> Control output (OSSD 2) is equipped instead of self-diagnosis output. (Note 3) Emission halt function cannot be used. Existing NA40-CC connection cables (optional) can be used without change. The ambient temperature for the NA40-CC connection cables (optional) is -10 to +50 °C +14 to +122 °F. |

Notes: 1) Not used in case of simple replacement of the SF1-N series (interference prevention wire is unused), therefore perform wire insulation so that it will not touch other wires.
2) Not used in case of simple replacement of the SF1-N series (non-safety applications), therefore perform wire insulation so that it will not touch other wires.
3) When used in safety applications, both OSSD1 and OSSD2 must be used.

FIBER SENSORS

LASER SENSORS

PHOTO-ELECTRIC SENSORS

MICRO PHOTO-ELECTRIC SENSORS

AREA SENSORS

LIGHT CURTAINS / SAFETY COMPONENTS

PRESSURE / FLOW SENSORS

INDUCTIVE PROXIMITY SENSORS

PARTICULAR USE SENSORS

SENSOR OPTIONS

SIMPLE WIRE-SAVING UNITS

WIRE-SAVING SYSTEMS

MEASUREMENT SENSORS

STATIC ELECTRICITY PREVENTION DEVICES

LASER MARKERS

PLC

HUMAN MACHINE INTERFACES

ENERGY CONSUMPTION VISUALIZATION COMPONENTS

FA COMPONENTS

MACHINE VISION SYSTEMS

UV CURING SYSTEMS

Selection Guide

Light Curtains

Safety Components

Optical Touch Switch

Control Units

Definition of Sensing Heights

SF4B-C

SF4C

SF2C

SF4B

SF2B

BSF4-AH80

ORDER GUIDE

6 Sub-sensor for series connection only

The sub-sensors for series connection are PNP / NPN types. Furthermore, they cannot simply be used by themselves. Always be sure to use them in combination with light curtains.

| Type | Appearance | Operating range (Note 1) | Model No. (Note 6) | Number of beam channels | Protective height (mm in) (Note 4) | Current consumption (Note 5) |
|---|------------|---|--|-------------------------|------------------------------------|--|
| Hand protection type Min. sensing object ø27 mm ø1.063 in (20 mm 0.787 in pitch) | | 0.2 to 13 m 0.656 to 42.651 ft (When using SF2B-CB05-B adapter cable at light curtain: 0.2 to 5 m 0.656 to 16.404 ft) | SF2B-H8SL (Note 2) | 8 | 168 6.614 | Emitter: 20 mA or less Receiver: 25 mA or less |
| | | | SF2B-H12SL | 12 | 232 9.134 | |
| | | | SF2B-H16SL | 16 | 312 12.283 | Emitter: 20 mA or less Receiver: 35 mA or less |
| | | | SF2B-H20SL | 20 | 392 15.433 | |
| | | | SF2B-H24SL | 24 | 472 18.583 | Emitter: 30 mA or less Receiver: 45 mA or less |
| | | | SF2B-H28SL | 28 | 552 21.732 | |
| | | | SF2B-H32SL | 32 | 632 24.882 | Emitter: 30 mA or less Receiver: 55 mA or less |
| | | | SF2B-H36SL | 36 | 712 28.031 | |
| | | | SF2B-H40SL | 40 | 792 31.181 | Emitter: 40 mA or less Receiver: 65 mA or less |
| | | | SF2B-H48SL | 48 | 952 37.480 | |
| | | | SF2B-H56SL | 56 | 1,112 43.779 | Emitter: 45 mA or less Receiver: 85 mA or less |
| | | | SF2B-H64SL | 64 | 1,272 50.079 | |
| | | | SF2B-H72SL | 72 | 1,432 56.378 | Emitter: 50 mA or less Receiver: 105 mA or less |
| | | | SF2B-H80SL | 80 | 1,592 62.677 | |
| SF2B-H88SL | 88 | 1,752 68.976 | Emitter: 60 mA or less Receiver: 125 mA or less | | | |
| SF2B-H96SL | 96 | 1,912 75.275 | | | | |
| Arm / Foot protection type Min. sensing object ø47 mm ø1.850 in (40 mm 1.575 in pitch) | | 0.2 to 13 m 0.656 to 42.651 ft (When using SF2B-CB05-B adapter cable at light curtain: 0.2 to 5 m 0.656 to 16.404 ft) | SF2B-A4SL (Note 2) | 4 | 168 6.614 | Emitter: 15 mA or less Receiver: 20 mA or less |
| | | | SF2B-A6SL | 6 | 232 9.134 | |
| | | | SF2B-A8SL | 8 | 312 12.283 | Emitter: 15 mA or less Receiver: 25 mA or less |
| | | | SF2B-A10SL | 10 | 392 15.433 | |
| | | | SF2B-A12SL | 12 | 472 18.583 | Emitter: 20 mA or less Receiver: 30 mA or less |
| | | | SF2B-A14SL | 14 | 552 21.732 | |
| | | | SF2B-A16SL | 16 | 632 24.882 | Emitter: 20 mA or less Receiver: 35 mA or less |
| | | | SF2B-A18SL | 18 | 712 28.031 | |
| | | | SF2B-A20SL | 20 | 792 31.181 | Emitter: 25 mA or less Receiver: 40 mA or less |
| | | | SF2B-A24SL | 24 | 952 37.480 | |
| | | | SF2B-A28SL | 28 | 1,112 43.779 | Emitter: 25 mA or less Receiver: 50 mA or less |
| | | | SF2B-A32SL | 32 | 1,272 50.079 | |
| | | | SF2B-A36SL | 36 | 1,432 56.378 | Emitter: 30 mA or less Receiver: 60 mA or less |
| | | | SF2B-A40SL | 40 | 1,592 62.677 | |
| SF2B-A44SL | 44 | 1,752 68.976 | Emitter: 35 mA or less Receiver: 70 mA or less | | | |
| SF2B-A48SL | 48 | 1,912 75.275 | | | | |

- Notes: 1) The "operating range" is the possible setting distance between the emitter and the receiver.
 2) The SF2B-H8SL and SF2B-A4SL do not include a connector for series connection. Therefore, when connecting 3 sets in series, the sub-sensor can be used only for the third set. Refer to "PRECAUTIONS FOR PROPER USE (p.626~)" for details.
 3) The distance between the tip of the light curtain and the top beam axis of the SF2B-H8SL and SF2B-A4SL is 22 mm 0.866 in.
 4) Refer to "Definition of light curtain and area sensor sensing heights (p.727)" for details of the protective height.
 5) The specifications of the sub-sensor for series connection are the same as for the light curtain, except for the current consumption. However, the sub-sensor is not equipped with an output.
 6) Models which have an "E" (EMITTER) symbol in the model No. on the name plate are emitters, and those with a "D" (RECEIVER) symbol are receivers.

Spare parts (Accessories for light curtain)

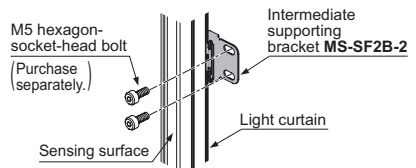
| Designation | Appearance | Model No. | Description |
|--------------|------------|-----------|--|
| SF4B-C | | | |
| SF4C | | | |
| SF2C | | | |
| SF4B | | | |
| SF2B | | MS-SF2B-2 | Used to mount the light curtain on the intermediate position. Mounting is possible behind or at the side of the light curtain. |
| BSF4-AH80 | | | |
| Test rod ø27 | | SF2B-TR27 | Min. sensing object for regular checking (ø27 mm ø1.063 in), with hand protection type (min. sensing object ø27 mm ø1.063 in) |

Note: Depending on the product, the required set number will vary as follows.
 1 set: SF2B-H...Light curtain with 40 to 56 beam channels, SF2B-A...Light curtain with 20 to 28 beam channels
 2 sets: SF2B-H...Light curtain with 64 to 80 beam channels, SF2B-A...Light curtain with 32 to 40 beam channels
 3 sets: SF2B-H...Light curtain with 88 to 96 beam channels, SF2B-A...Light curtain with 44 to 48 beam channels

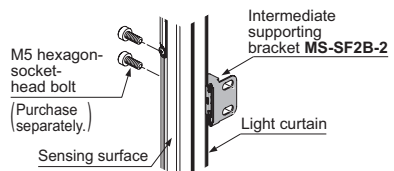
Intermediate supporting bracket

• MS-SF2B-2

<In case of rear mounting>

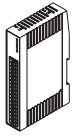


<In case of side mounting>



OPTIONS

Exclusive control units

| Designation | Appearance | Model No. | Applicable cable | Description |
|------------------------|---|---------------|--|--|
| | | | Connector connection type control unit | |
| Slim type control unit |  | SF-C13 | SF2B-CCB□ SFB-CC□ | Use a discrete wire cable to connect to the light curtain. Compatible with up to control category 4 (control category 2 when used together with the SF2B series). |

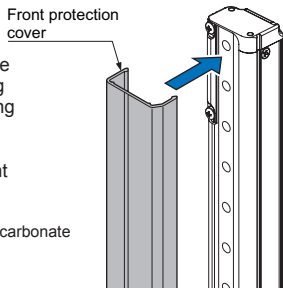
Note: Refer to the exclusive control units **SF-C10** series pages for details.

Front protection cover

• **FC-SF2BH-□**

This protects the sensing surfaces of the light curtain from flying objects such as welding spatter, oil and water. The operating range reduces when the front protection cover is used.

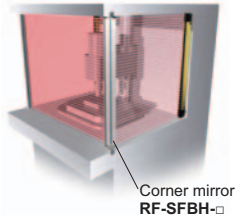
Material: Polycarbonate



Corner mirror

• **RF-SFBH-□**

When setting up the light curtains in the L-shape or U-shape, usually two or three sets of the light curtains are required. However, using the corner mirror to reflect the laser light allows only one set of the light curtains to be set up at the L-shape or U-shape.



Specifications

| Item | Type | Corner mirror |
|--------------------------|----------------------|--|
| | Model No. | RF-SFBH-□ |
| Sensing range | | With one mirror: declined to 90 %, With two mirrors: declined to 80 % (When used in combination with the SF2B series) |
| Environmental resistance | Ambient temperature | -10 to +55 °C +14 to +131 °F (No dew condensation or icing allowed), Storage: -25 to +70 °C -13 to +158 °F |
| | Ambient humidity | 30 to 85 % RH, Storage: 30 to 95 % RH |
| | Vibration resistance | 10 to 55 Hz frequency, 0.75 mm 2.953 in amplitude in X, Y and Z directions for two hours each |
| | Shock resistance | 300 m/s ² acceleration (30 G approx.) in X, Y and Z directions for three times each |
| Material | | Enclosure: Aluminum, Mounting bracket: Stainless Steel, Mirror (rear surface mirror): Glass, Side cover: EPDM |
| Accessories | | Intermediate supporting bracket: 1 set (RF-SFBH-40/48/56/64), 2 sets (RF-SFBH-72/80/88/96) |

Note: Where measurement conditions have not been specified precisely, the conditions used were an ambient temperature of +20 °C **+68 °F**.

Sensing range

| | Sensing range (Note) | |
|-------------------------------------|--|---|
| | | When using the SF2B-CB05-B |
| Only emitter installed | 0.2 to 11.5 m 0.656 to 37.730 ft | 0.2 to 4.5 m 0.656 to 14.764 ft |
| Only receiver installed | 0.2 to 11.5 m 0.656 to 37.730 ft | 0.2 to 4.5 m 0.656 to 14.764 ft |
| Both emitter and receiver installed | 0.2 to 10.0 m 0.656 to 32.808 ft | 0.2 to 4.0 m 0.656 to 13.123 ft |

Note: The "operating range" is the possible setting distance between the emitter and the receiver.

| Designation | | Front protection cover | Corner mirror | |
|-------------|------------|------------------------|-------------------|--|
| Hand | Arm / Foot | | Model No. | Model No. |
| 8 | 4 | FC-SF2BH-8 | RF-SFBH-8 | 173 × 72 mm 6.811 × 2.835 in |
| 12 | 6 | FC-SF2BH-12 | RF-SFBH-12 | 236 × 72 mm 9.291 × 2.835 in |
| 16 | 8 | FC-SF2BH-16 | RF-SFBH-16 | 316 × 72 mm 12.441 × 2.835 in |
| 20 | 10 | FC-SF2BH-20 | RF-SFBH-20 | 396 × 72 mm 15.591 × 2.835 in |
| 24 | 12 | FC-SF2BH-24 | RF-SFBH-24 | 476 × 72 mm 18.740 × 2.835 in |
| 28 | 14 | FC-SF2BH-28 | RF-SFBH-28 | 556 × 72 mm 21.890 × 2.835 in |
| 32 | 16 | FC-SF2BH-32 | RF-SFBH-32 | 636 × 72 mm 25.039 × 2.835 in |
| 36 | 18 | FC-SF2BH-36 | RF-SFBH-36 | 716 × 72 mm 28.190 × 2.835 in |
| 40 | 20 | FC-SF2BH-40 | RF-SFBH-40 | 796 × 72 mm 31.339 × 2.835 in |
| 48 | 24 | FC-SF2BH-48 | RF-SFBH-48 | 956 × 72 mm 37.638 × 2.835 in |
| 56 | 28 | FC-SF2BH-56 | RF-SFBH-56 | 1,116 × 72 mm 43.937 × 2.835 in |
| 64 | 32 | FC-SF2BH-64 | RF-SFBH-64 | 1,276 × 72 mm 50.236 × 2.835 in |
| 72 | 36 | FC-SF2BH-72 | RF-SFBH-72 | 1,436 × 72 mm 56.535 × 2.835 in |
| 80 | 40 | FC-SF2BH-80 | RF-SFBH-80 | 1,596 × 72 mm 62.835 × 2.835 in |
| 88 | 44 | FC-SF2BH-88 | RF-SFBH-88 | 1,756 × 72 mm 69.134 × 2.835 in |
| 96 | 48 | FC-SF2BH-96 | RF-SFBH-96 | 1,916 × 72 mm 75.433 × 2.835 in |

Note: The model Nos. given above denote a single unit, not a pair of units. 2 units are required for use in mounting to the emitter / receiver.

FIBER SENSORS

LASER SENSORS

PHOTO-ELECTRIC SENSORS

MICRO PHOTO-ELECTRIC SENSORS

AREA SENSORS

LIGHT CURTAINS / SAFETY COMPONENTS

PRESSURE / FLOW SENSORS

INDUCTIVE PROXIMITY SENSORS

PARTICULAR USE SENSORS

SENSOR OPTIONS

SIMPLE WIRE-SAVING UNITS

WIRE-SAVING SYSTEMS

MEASUREMENT SENSORS

STATIC ELECTRICITY PREVENTION DEVICES

LASER MARKERS

PLC

HUMAN MACHINE INTERFACES

ENERGY CONSUMPTION VISUALIZATION COMPONENTS

FA COMPONENTS

MACHINE VISION SYSTEMS

UV CURING SYSTEMS

Selection Guide

Light Curtains

Safety Components

Optical Touch Switch

Control Units

Definition of Sensing Heights

SF4B-C

SF4C

SF2C

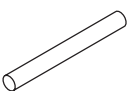
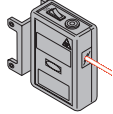
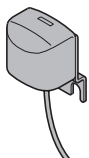
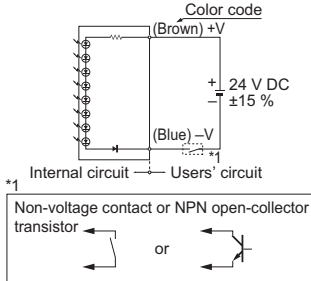
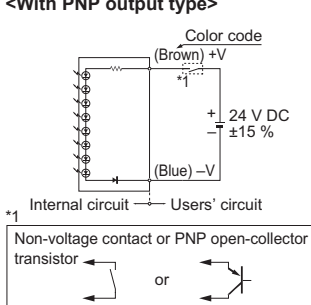
SF4B

SF2B

BSF4-AH80

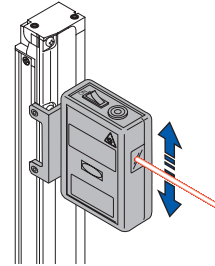
OPTIONS

- FIBER SENSORS
- LASER SENSORS
- PHOTO-ELECTRIC SENSORS
- MICRO PHOTO-ELECTRIC SENSORS
- AREA SENSORS
- LIGHT CURTAINS SAFETY COMPONENTS**
- PRESSURE / FLOW SENSORS
- INDUCTIVE PROXIMITY SENSORS
- PARTICULAR USE SENSORS
- SENSOR OPTIONS
- SMILE WIRE-SAVING UNITS
- WIRE-SAVING SYSTEMS
- MEASUREMENT SENSORS
- STATIC ELECTRICITY PREVENTION DEVICES
- LASER MARKERS
- PLC
- HUMAN MACHINE INTERFACES
- ENERGY CONSUMPTION VISUALIZATION COMPONENTS
- FA COMPONENTS
- MACHINE VISION SYSTEMS
- UV CURING SYSTEMS
- Selection Guide
- Light Curtains**
- Safety Components
- Optical Touch Switch
- Control Units
- Definition of Sensing Heights
- SF4B-C
- SF4C
- SF2C
- SF4B
- SF2B**
- BSF4-AH80

| Designation | Appearance | Model No. | Description |
|--------------------------------------|---|------------------|---|
| Test rod ø47 |  | SF2B-TR47 | Min. sensing object for regular checking (ø47 mm ø1.850 in), with Arm / Foot protection type (min. sensing object ø47 mm ø1.850 in) |
| Laser alignment tool |  | SF-LAT-2B | <p>Allows easy beam axis alignment using easy-to-see laser beam</p> <p>Specifications</p> <ul style="list-style-type: none"> Supply voltage: 3 V Battery: 1.5 V (AA size battery) × 2 pcs. (replaceable) Battery lifetime: 30 hours approx. of continuous operation (Manganese battery, at +25 °C +77 °F ambient temperature) Light source: Red semiconductor laser: class 2 (IEC / JIS / FDA) (Max. output: 1 mW, Peak emission wavelength: 650 nm 0.026 mil) Ambient temperature: 0 to +40 °C +32 to +104 °F (No dew condensation) Material: ABS (Enclosure) Aluminum (Mounting part:) Weight: Net weight: 200 g approx. (including batteries) Accessories AA size battery: 2 pcs. |
| Large display unit for light curtain |  | SF-IND-2 | <p>With the auxiliary output of the light curtain, the operation is easily observable from various directions.</p> <p>Specifications</p> <ul style="list-style-type: none"> Supply voltage: 24 V DC ±15 % Current consumption: 12 mA or less Indicators: Orange LED (8 pcs. used) [Light up when external contact is ON] Ambient temperature: -10 to +55 °C +14 to +131 °F (No dew condensation or icing allowed) Material: POM (Enclosure) Polycarbonate (Cover) Cold rolled carbon steel (SPCC) (Bracket) Cable: 0.3 mm² 2-core cabtyre cable, 3 m 9.843 ft long Net weight: 70 g approx. (including bracket) <p>I/O circuit diagrams</p> <p><With NPN output type></p>  <p><With PNP output type></p>  |

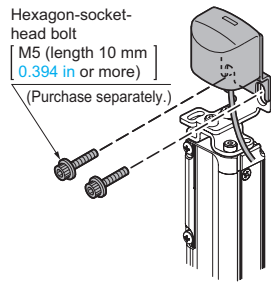
Laser alignment tool

- **SF-LAT-2B**



Large display unit for light curtain

- **SF-IND-2**



Attaches to top of light curtain. Tighten together the mounting bracket provided with the light curtain (**MS-SF2B-1/4/5**) and the mounting bracket of **SF-IND-2**.

Recommended safety relays

Panasonic Corporation
Model No.: SF series



Note: Contact the manufacturers for details on the recommended products.

SPECIFICATIONS

Individual specifications

SF2B-H□ Hand protection type

| Item | Model No. | Type | Min. sensing object $\varnothing 27$ mm $\varnothing 1.063$ in type (20 mm 0.787 in beam pitch) | | | | | |
|--|------------|------------|---|-----------------------|---|-----------------------|---|-----------------------|
| | | NPN output | SF2B-H8-N | SF2B-H12-N | SF2B-H16-N | SF2B-H20-N | SF2B-H24-N | SF2B-H28-N |
| | | PNP output | SF2B-H8-P | SF2B-H12-P | SF2B-H16-P | SF2B-H20-P | SF2B-H24-P | SF2B-H28-P |
| Number of beam channels | | | 8 | 12 | 16 | 20 | 24 | 28 |
| Beam pitch | | | 20 mm 0.787 in | | | | | |
| Protective height | | | 168 mm 6.614 in | 232 mm 9.134 in | 312 mm 12.283 in | 392 mm 15.433 in | 472 mm 18.583 in | 552 mm 21.732 in |
| Current consumption | | | Emitter: 40 mA or less Receiver: 50 mA or less | | Emitter: 40 mA or less Receiver: 60 mA or less | | Emitter: 50 mA or less Receiver: 70 mA or less | |
| PFHd | NPN output | | 6.24×10^{-9} | 6.44×10^{-9} | 6.58×10^{-9} | 6.77×10^{-9} | 6.91×10^{-9} | 7.10×10^{-9} |
| | PNP output | | 6.04×10^{-9} | 6.23×10^{-9} | 6.37×10^{-9} | 6.57×10^{-9} | 6.71×10^{-9} | 6.90×10^{-9} |
| MTTFd | | | 100 years or more | | | | | |
| Net weight (total of emitter and receiver) | | | 170 g approx. | 280 g approx. | 400 g approx. | 510 g approx. | 610 g approx. | 720 g approx. |

| Item | Model No. | Type | Min. sensing object $\varnothing 27$ mm $\varnothing 1.063$ in type (20 mm 0.787 in beam pitch) | | | | | |
|--|------------|------------|---|-----------------------|---|-----------------------|--|-----------------------|
| | | NPN output | SF2B-H32-N | SF2B-H36-N | SF2B-H40-N | SF2B-H48-N | SF2B-H56-N | SF2B-H64-N |
| | | PNP output | SF2B-H32-P | SF2B-H36-P | SF2B-H40-P | SF2B-H48-P | SF2B-H56-P | SF2B-H64-P |
| Number of beam channels | | | 32 | 36 | 40 | 48 | 56 | 64 |
| Beam pitch | | | 20 mm 0.787 in | | | | | |
| Protective height | | | 632 mm 24.882 in | 712 mm 28.031 in | 792 mm 31.181 in | 952 mm 37.480 in | 1,112 mm 43.779 in | 1,272 mm 50.079 in |
| Current consumption | | | Emitter: 50 mA or less Receiver: 80 mA or less | | Emitter: 60 mA or less Receiver: 90 mA or less | | Emitter: 65 mA or less Receiver: 110 mA or less | |
| PFHd | NPN output | | 7.24×10^{-9} | 7.44×10^{-9} | 7.58×10^{-9} | 7.91×10^{-9} | 8.24×10^{-9} | 8.58×10^{-9} |
| | PNP output | | 7.04×10^{-9} | 7.23×10^{-9} | 7.37×10^{-9} | 7.71×10^{-9} | 8.04×10^{-9} | 8.37×10^{-9} |
| MTTFd | | | 100 years or more | | | | | |
| Net weight (total of emitter and receiver) | | | 830 g approx. | 930 g approx. | 1,000 g approx. | 1,300 g approx. | 1,500 g approx. | 1,700 g approx. |

| Item | Model No. | Type | Min. sensing object $\varnothing 27$ mm $\varnothing 1.063$ in type (20 mm 0.787 in beam pitch) | | | |
|--|------------|------------|---|-----------------------|--|-----------------------|
| | | NPN output | SF2B-H72-N | SF2B-H80-N | SF2B-H88-N | SF2B-H96-N |
| | | PNP output | SF2B-H72-P | SF2B-H80-P | SF2B-H88-P | SF2B-H96-P |
| Number of beam channels | | | 72 | 80 | 88 | 96 |
| Beam pitch | | | 20 mm 0.787 in | | | |
| Protective height | | | 1,432 mm 56.378 in | 1,592 mm 62.677 in | 1,752 mm 68.976 in | 1,912 mm 75.275 in |
| Current consumption | | | Emitter: 70 mA or less Receiver: 130 mA or less | | Emitter: 80 mA or less Receiver: 150 mA or less | |
| PFHd | NPN output | | 8.91×10^{-9} | 9.24×10^{-9} | 9.58×10^{-9} | 9.91×10^{-9} |
| | PNP output | | 8.71×10^{-9} | 9.04×10^{-9} | 9.37×10^{-9} | 9.71×10^{-9} |
| MTTFd | | | 100 years or more | | | |
| Net weight (total of emitter and receiver) | | | 1,900 g approx. | 2,100 g approx. | 2,300 g approx. | 2,500 g approx. |

Note: Where measurement conditions have not been specified precisely, the conditions used were an ambient temperature of +20 °C +68 °F.

FIBER
SENSORSLASER
SENSORSPHOTO-
ELECTRIC
SENSORSMICRO
PHOTO-
ELECTRIC
SENSORSAREA
SENSORSLIGHT
CURTAINS/
SAFETY
COMPONENTSPRESSURE /
FLOW
SENSORSINDUCTIVE
PROXIMITY
SENSORSPARTICULAR
USE
SENSORSSENSOR
OPTIONSSIMPLE
WIRE-SAVING
UNITSWIRE-SAVING
SYSTEMSMEASURE-
MENT
SENSORSSTATIC
ELECTRICITY
PREVENTION
DEVICESLASER
MARKERS

PLC

HUMAN
MACHINE
INTERFACESENERGY
CONSUMPTION
VISUALIZATION
COMPONENTSFA
COMPONENTSMACHINE
VISION
SYSTEMSUV
CURING
SYSTEMSSelection
GuideLight
CurtainsSafety
ComponentsOptical Touch
SwitchControl
UnitsDefinition of
Sensing Heights

SF4B-C

SF4C

SF2C

SF4B

SF2B

BSF4-AH80

SPECIFICATIONS

SF2B-A□ Arm / Foot protection type

| Item | Model No. | Type | Min. sensing object ø47 mm ø1.850 in type (40 mm 1.575 in beam pitch) | | | | | |
|--|------------|------------|---|------------------------|---|-------------------------|---|-------------------------|
| | | | SF2B-A4-N | SF2B-A6-N | SF2B-A8-N | SF2B-A10-N | SF2B-A12-N | SF2B-A14-N |
| | | NPN output | | | | | | |
| | | PNP output | SF2B-A4-P | SF2B-A6-P | SF2B-A8-P | SF2B-A10-P | SF2B-A12-P | SF2B-A14-P |
| Number of beam channels | | | 4 | 6 | 8 | 10 | 12 | 14 |
| Beam pitch | | | 40 mm 1.575 in | | | | | |
| Protective height | | | 168 mm 6.614 in | 232 mm 9.134 in | 312 mm 12.283 in | 392 mm 15.433 in | 472 mm 18.583 in | 552 mm 21.732 in |
| Current consumption | | | Emitter: 35 mA or less Receiver: 45 mA or less | | Emitter: 35 mA or less Receiver: 50 mA or less | | Emitter: 40 mA or less Receiver: 55 mA or less | |
| PFHd | NPN output | | 6.11×10^{-9} | 6.23×10^{-9} | 6.30×10^{-9} | 6.42×10^{-9} | 6.49×10^{-9} | 6.62×10^{-9} |
| | PNP output | | 5.90×10^{-9} | 6.03×10^{-9} | 6.10×10^{-9} | 6.22×10^{-9} | 6.29×10^{-9} | 6.41×10^{-9} |
| MTTFd | | | 100 years or more | | | | | |
| Net weight (total of emitter and receiver) | | | 170 g approx. | 280 g approx. | 400 g approx. | 510 g approx. | 610 g approx. | 720 g approx. |

| Item | Model No. | Type | Min. sensing object ø47 mm ø1.850 in type (40 mm 1.575 in beam pitch) | | | | | |
|--|------------|------------|---|-------------------------|---|-------------------------|---|---------------------------|
| | | | SF2B-A16-N | SF2B-A18-N | SF2B-A20-N | SF2B-A24-N | SF2B-A28-N | SF2B-A32-N |
| | | NPN output | | | | | | |
| | | PNP output | SF2B-A16-P | SF2B-A18-P | SF2B-A20-P | SF2B-A24-P | SF2B-A28-P | SF2B-A32-P |
| Number of beam channels | | | 16 | 18 | 20 | 24 | 28 | 32 |
| Beam pitch | | | 40 mm 1.575 in | | | | | |
| Protective height | | | 632 mm 24.882 in | 712 mm 28.031 in | 792 mm 31.181 in | 952 mm 37.480 in | 1,112 mm 43.779 in | 1,272 mm 50.079 in |
| Current consumption | | | Emitter: 40 mA or less Receiver: 60 mA or less | | Emitter: 45 mA or less Receiver: 65 mA or less | | Emitter: 50 mA or less Receiver: 75 mA or less | |
| PFHd | NPN output | | 6.69×10^{-9} | 6.81×10^{-9} | 6.88×10^{-9} | 7.08×10^{-9} | 7.27×10^{-9} | 7.46×10^{-9} |
| | PNP output | | 6.48×10^{-9} | 6.61×10^{-9} | 6.68×10^{-9} | 6.87×10^{-9} | 7.07×10^{-9} | 7.26×10^{-9} |
| MTTFd | | | 100 years or more | | | | | |
| Net weight (total of emitter and receiver) | | | 830 g approx. | 930 g approx. | 1,000 g approx. | 1,300 g approx. | 1,500 g approx. | 1,700 g approx. |

| Item | Model No. | Type | Min. sensing object ø47 mm ø1.850 in type (40 mm 1.575 in beam pitch) | | | |
|--|------------|------------|---|---------------------------|---|---------------------------|
| | | | SF2B-A36-N | SF2B-A40-N | SF2B-A44-N | SF2B-A48-N |
| | | NPN output | | | | |
| | | PNP output | SF2B-A36-P | SF2B-A40-P | SF2B-A44-P | SF2B-A48-P |
| Number of beam channels | | | 36 | 40 | 44 | 48 |
| Beam pitch | | | 40 mm 1.575 in | | | |
| Protective height | | | 1,432 mm 56.378 in | 1,592 mm 62.677 in | 1,752 mm 68.976 in | 1,912 mm 75.275 in |
| Current consumption | | | Emitter: 55 mA or less Receiver: 85 mA or less | | Emitter: 60 mA or less Receiver: 95 mA or less | |
| PFHd | NPN output | | 7.66×10^{-9} | 7.85×10^{-9} | 8.05×10^{-9} | 8.24×10^{-9} |
| | PNP output | | 7.46×10^{-9} | 7.65×10^{-9} | 7.84×10^{-9} | 8.04×10^{-9} |
| MTTFd | | | 100 years or more | | | |
| Net weight (total of emitter and receiver) | | | 1,900 g approx. | 2,100 g approx. | 2,300 g approx. | 2,500 g approx. |

Note: Where measurement conditions have not been specified precisely, the conditions used were an ambient temperature of +20 °C +68 °F.

FIBER SENSORS

LASER SENSORS

PHOTO-ELECTRIC SENSORS
MICRO PHOTO-ELECTRIC SENSORS

AREA SENSORS

LIGHT CURTAINS SAFETY COMPONENTS

PRESSURE / FLOW SENSORS

INDUCTIVE PROXIMITY SENSORS

PARTICULAR USE SENSORS

SENSOR OPTIONS

SIMPLE WIRE-SAVING UNITS

WIRE-SAVING SYSTEMS

MEASUREMENT SENSORS

STATIC ELECTRICITY PREVENTION DEVICES

LASER MARKERS

PLC

HUMAN MACHINE INTERFACES

ENERGY CONSUMPTION VISUALIZATION COMPONENTS

FA COMPONENTS

MACHINE VISION SYSTEMS

UV CURING SYSTEMS

Selection Guide

Light Curtains

Safety Components

Optical Touch Switch

Control Units

Definition of Sensing Heights

SF4B-C

SF4C

SF2C

SF4B

SF2B

BSF4-AH80

SPECIFICATIONS

Common specifications

| Item | Model No. | Type | | | |
|-------------------------------------|---|--|------------|--|-----------|
| | | NPN output | PNP output | | |
| | | SF2B-H□-N | SF2B-H□-P | SF2B-A□-N | SF2B-A□-P |
| Applicable standards (Note 2) | | International standard: IEC 61496-1/2 (Type 2), ISO 13849-1 (Category 2, PLC), IEC 61508-1 to 7 (SIL1) Japan: JIS B 9704-1/2 (Type 2), JIS B 9705-1 (Category 2), JIS C 0508 Europe (EU): EN 61496-1 (Type 2), EN 55011 North America: UL 61496-1/2 (Type 2), UL 508, UL 1998 (Class 1), CSA C22.2 No.14, CSA C22.2 No.0.8, OSHA 1910.212 (Note 3), OSHA 1910.217 (C) (Note 3), ANSI B11.1 to B11.19, ANSI/RIA 15.06 | | | |
| Operating range | | 0.2 to 13 m 0.656 to 42.651 ft (0.2 to 5 m 0.656 to 16.404 ft when using the SF2B-CB05-B adapter cable) | | | |
| Min. sensing object | | ø27 mm ø1.063 in opaque object | | ø47 mm ø1.850 in opaque object | |
| Effective aperture angle | | ±5° or less [for an operating range exceeding 3 m 9.843 ft (conforming to IEC 61496-2 / UL 61496-2)] | | | |
| Supply voltage | | 24 V DC ±15 % Ripple P-P 10 % or less | | | |
| Control outputs (OSSD 1, OSSD 2) | | <NPN output type> NPN open-collector transistor • Max. sink current: 200 mA • Applied voltage: same as supply voltage [between the control outputs (OSSD 1, OSSD 2) and 0 V] • Residual voltage: 2.0 V or less (sink current 200 mA) (when using 30.5 m 100.066 ft length cable) | | <PNP output type> PNP open-collector transistor • Max. source current: 200 mA • Applied voltage: same as supply voltage [between the control outputs (OSSD 1, OSSD 2) and +V] • Residual voltage: 2.5 V or less (sink current 200 mA) (when using 30.5 m 100.066 ft length cable) | |
| Operation mode | | ON when all beam channels are received, OFF when one or more beam channels are interrupted (OFF also in case of any malfunction in the light curtain or the synchronization signal) | | | |
| Protection circuit | | Incorporated | | | |
| Response time | | OFF response: 15 ms or less, ON response: 40 to 60 ms | | | |
| Auxiliary output (Aux) (Note 4) | | <NPN output type> NPN open-collector transistor • Max. sink current: 60 mA • Applied voltage: same as supply voltage [between the auxiliary output and 0 V] • Residual voltage: 2.0 V or less (sink current 60 mA) (when using 30.5 m 100.066 ft length cable) | | <PNP output type> PNP open-collector transistor • Max. source current: 60 mA • Applied voltage: same as supply voltage [between the auxiliary output and +V] • Residual voltage: 2.5 V or less (sink current 60 mA) (when using 30.5 m 100.066 ft length cable) | |
| Operation mode | | When using SF2B-CCB□ or SF2B-CB□ : OFF when OSSD ON, ON when OSSD OFF When using SF2B-CB05-A : ON during normal operation, OFF when there is a problem with emitter operation or emission is halted | | | |
| Protection circuit | | Incorporated | | | |
| Synchronization method | | Cable synchronization (optical synchronization when using SF2B-CB05-B) | | | |
| Interference prevention function | | Incorporated • Series connection: 3 sets max. (Total 128 beam channels). (However, SF2B-A□ allows up to a total of 96 beam channels when two sets are connected, and up to 64 beam channels when three sets are connected). (Note 5) SF2B-H□ and SF2B-A□ can be used together. (Note 6) When using SF2B-CB05-B (optical synchronization): • Series connection: 3 sets max. (Total 128 beam channels). (However, SF2B-A□ allows up to a total of 96 beam channels when two sets are connected, and up to 64 beam channels when three sets are connected). (Note 5) • Parallel connection: 2 sets max. • Series and parallel mixed connection: Series connection of 3 sets max. and parallel connection of 2 sets max. are simultaneously possible. SF2B-H□ and SF2B-A□ can be used together. (Note 6) | | | |
| Emission halt function | | Incorporated | | | |
| External device monitoring function | | Incorporated | | | |
| Environmental resistance | Degree of protection | IP65 (IEC) (*IP67 is later than Ver.2) | | | |
| | Ambient temperature / Ambient humidity | -10 to +55 °C +14 to +131 °F (No dew condensation or icing allowed), Storage: -25 to +70 °C -13 to +158 °F / 30 to 85 % RH, Storage: 30 to 95 % RH | | | |
| | Ambient illuminance | Incandescent light: 3,500 lx or less at the light-receiving face | | | |
| | Dielectric strength voltage / Insulation resistance | 1,000 V AC for one min. between all supply terminals connected together and enclosure / 20 MΩ, or more, with 500 V DC megger between all supply terminals connected together and enclosure | | | |
| | Vibration resistance / Shock resistance | 10 to 55 Hz frequency, 0.75 mm 0.030 in amplitude in X, Y and Z directions for two hours each / 300 m/s ² acceleration (30 G approx.) in X, Y and Z directions for three times each | | | |
| Emitting element | | Infrared LED (Peak emission wavelength: 870 nm 0.034 mil) | | | |
| Cable extension | | Extension up to total 30.5 m 100.066 ft is possible for both emitter and receiver, with optional mating cables. | | | |
| Connecting method | | Connector | | | |
| Material | | Enclosure: Aluminum, Upper and lower edges : Die-cast zinc alloy, Inner case: Polycarbonate · Polyester resin, Cap: PBT | | | |
| Accessories | | MS-SF2B-2 (Intermediate supporting bracket): (Note 7) SF2B-TR27 (Test rod): 1 No. | | MS-SF2B-2 (Intermediate supporting bracket): (Note 7) | |

- Notes: 1) Where measurement conditions have not been specified precisely, the conditions used were an ambient temperature of +20 °C **+68 °F**.
 2) The SF2B series manufactured from October 2009 applies PLd and SIL2, which are based on IEC 61496-1: 2006 (Safety of machinery - Electro-sensitive protective equipment - Part 1). Due to the revision of international standard IEC 61496-1: 2012, the usage of Type 2 safety light curtain is limited to PLC and SIL1 after May 10th, 2015.
 3) Not compatible when using the bottom cap cable **SF2B-CB05-A**.
 4) When using auxiliary output (AUX), the compatible cable **SF2B-CB05-B** (sold separately) cannot be used.
 5) **SF2B-H8□** and **SF2B-A4□** cannot be connected in series. For more information, refer to "PRECAUTIONS FOR PROPER USE (p.626~)".
 6) When making series connection mixing **SF2B-H□** and **SF2B-A□**, calculate by doubling the number of optical axes only for **SF2B-A□**, and make the total number of optical axes fall below 128 axes.
 (e.g.) When making series connection with **SF2B-H36** and **SF2B-A44**, the total number of optical axes will be 124 axes. The number of optical axes for **SF2B-H36** + (number of optical axes for **SF2B-A44** × 2) = total number of optical axes. 36 optical axes + (44 optical axes × 2) = 124 optical axes.
 7) Intermediate supporting bracket **MS-SF2B-2** is included with the following products. The number included varies as follows depending on the product.
 1 set: **SF2B-H□**...Light curtain with 40 to 56 beam channels, **SF2B-A□**...Light curtain with 20 to 28 beam channels
 2 sets: **SF2B-H□**...Light curtain with 64 to 80 beam channels, **SF2B-A□**...Light curtain with 32 to 40 beam channels
 3 sets: **SF2B-H□**...Light curtain with 88 to 96 beam channels, **SF2B-A□**...Light curtain with 44 to 48 beam channels

FIBER SENSORS

LASER SENSORS

PHOTO-ELECTRIC SENSORS

MICRO PHOTO-ELECTRIC SENSORS

AREA SENSORS

LIGHT CURTAINS / SAFETY COMPONENTS

PRESSURE / FLOW SENSORS

INDUCTIVE PROXIMITY SENSORS

PARTICULAR USE SENSORS

SENSOR OPTIONS

SIMPLE WIRE-SAVING UNITS

WIRE-SAVING SYSTEMS

MEASUREMENT SENSORS

STATIC ELECTRICITY PREVENTION DEVICES

LASER MARKERS

PLC

HUMAN MACHINE INTERFACES

ENERGY CONSUMPTION VISUALIZATION COMPONENTS

FA COMPONENTS

MACHINE VISION SYSTEMS

UV CURING SYSTEMS

Selection Guide

Light Curtains

Safety Components

Optical Touch Switch

Control Units

Definition of Sensing Heights

SF4B-C**SF4C****SF2C****SF4B****SF2B****BSF4-AH80**

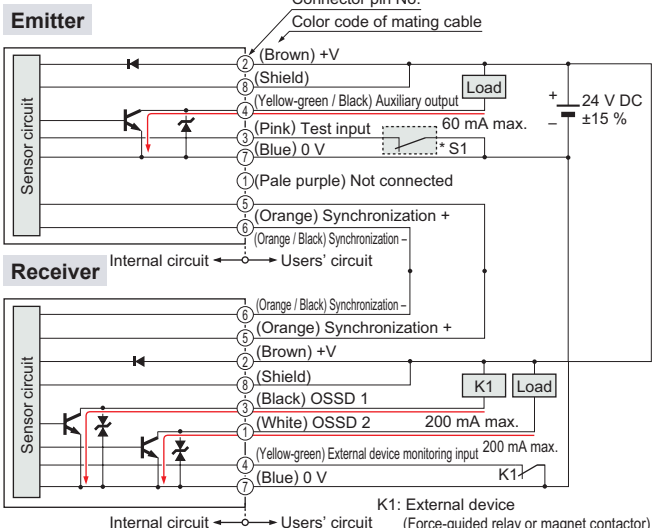
I/O CIRCUIT AND WIRING DIAGRAMS

FIBER SENSORS
LASER SENSORS
PHOTO-ELECTRIC SENSORS
MICRO PHOTO-ELECTRIC SENSORS
AREA SENSORS
LIGHT CURTAINS SAFETY COMPONENTS
PRESSURE / FLOW SENSORS
INDUCTIVE PROXIMITY SENSORS
PARTICULAR USE SENSORS
SENSOR OPTIONS
SIMPLE WIRE-SAVING UNITS
WIRE-SAVING SYSTEMS
MEASUREMENT SENSORS
STATIC ELECTRICITY PREVENTION DEVICES
LASER MARKERS
PLC
HUMAN MACHINE INTERFACES
ENERGY CONSUMPTION VISUALIZATION COMPONENTS
FA COMPONENTS
MACHINE VISION SYSTEMS
UV CURRING SYSTEMS
Selection Guide
Light Curtains
Safety Components
Optical Touch Switch
Control Units
Definition of Sensing Heights
SF4B-C
SF4C
SF2C
SF4B
SF2B
BSF4-AH80

NPN output type When using a SF2B-CCB□ or SF2B-CB□ bottom cap cable

I/O circuit diagram

<In case of setting the external device monitoring function to enabled>



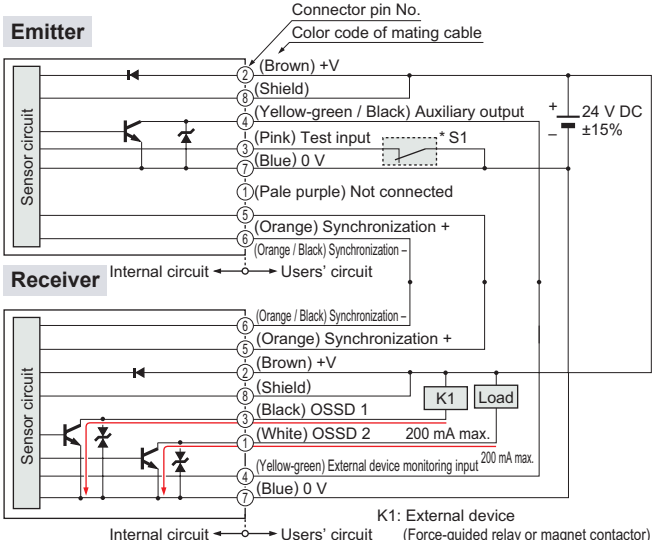
Note: Unused wires must be insulated to ensure that they do not come into contact with wires already in use.

CAUTION
Construct the interlock (reset input) circuit separately.

* S1
Switch S1
• Test input
Open: Emission halt
0 to +1.5 V (source current 5 mA or less): Emission

<In case of setting the external device monitoring function to disabled>

• In order to disable the external device monitoring function, connect the auxiliary output and external device monitoring input. At such times, do not connect a load to the auxiliary output.



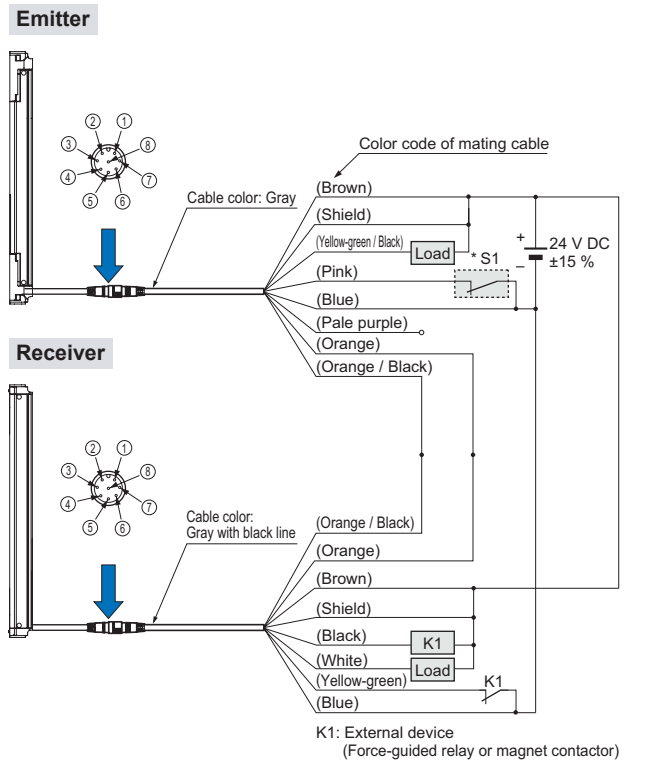
Note: Unused wires must be insulated to ensure that they do not come into contact with wires already in use.

CAUTION
Construct the interlock (reset input) circuit separately.

* S1
Switch S1
• Test input
Open: Emission halt
0 to +1.5 V (source current 5 mA or less): Emission

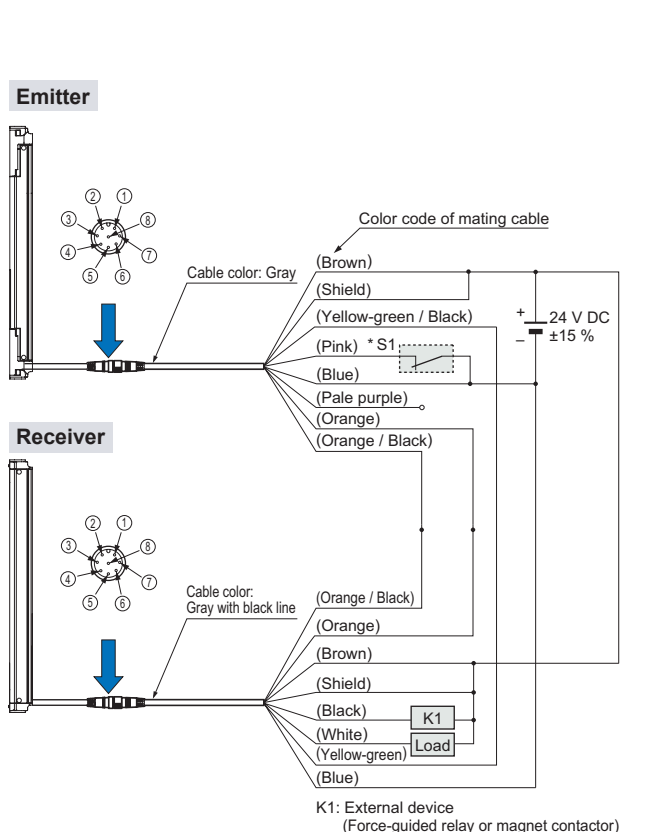
Wiring diagram

<In case of setting the external device monitoring function to enabled>



Note: Unused wires must be insulated to ensure that they do not come into contact with wires already in use.

<In case of setting the external device monitoring function to disabled>



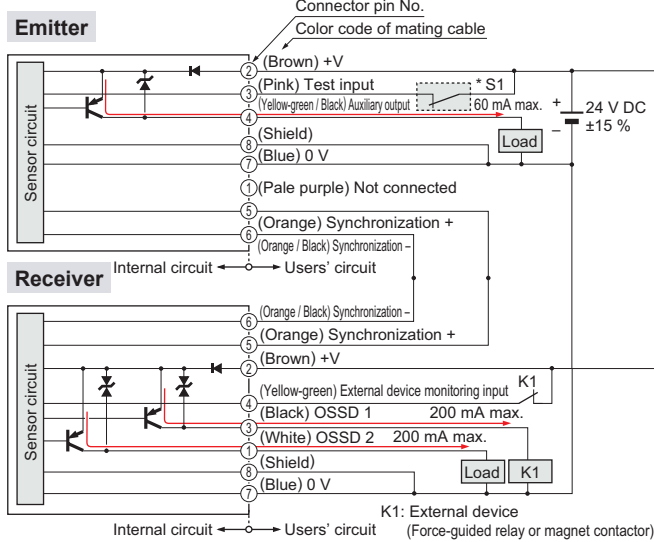
Note: Unused wires must be insulated to ensure that they do not come into contact with wires already in use.

I/O CIRCUIT AND WIRING DIAGRAMS

PNP output type

I/O circuit diagram

<In case of setting the external device monitoring function to enabled>



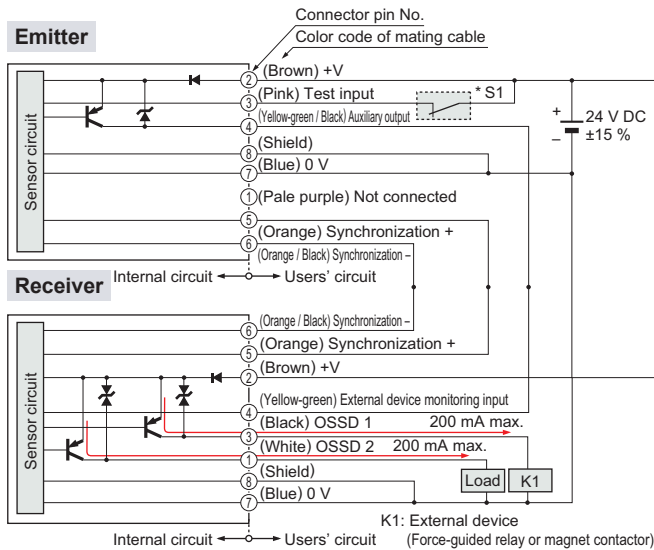
CAUTION
Construct the interlock (reset input) circuit separately.

* S1
Switch S1
• Test input
Open: Emission halt
Vs to Vs - 2.5 V (sink current 5 mA or less): Emission (Note 2)

Notes: 1) Unused wires must be insulated to ensure that they do not come into contact with wires already in use.
2) Vs is the applying supply voltage.

<In case of setting the external device monitoring function to disabled>

• In order to disable the external device monitoring function, connect the auxiliary output and external device monitoring input. At such times, do not connect a load to the auxiliary output.



CAUTION
Construct the interlock (reset input) circuit separately.

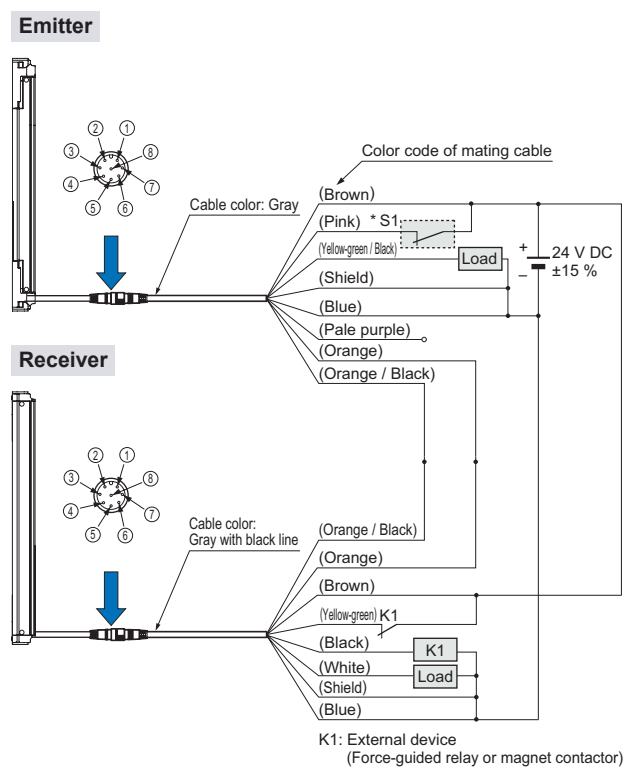
* S1
Switch S1
• Test input
Open: Emission halt
Vs to Vs - 2.5 V (sink current 5 mA or less): Emission (Note 2)

Notes: 1) Unused wires must be insulated to ensure that they do not come into contact with wires already in use.
2) Vs is the applying supply voltage.

When using a SF2B-CCB□ or SF2B-CB□ bottom cap cable

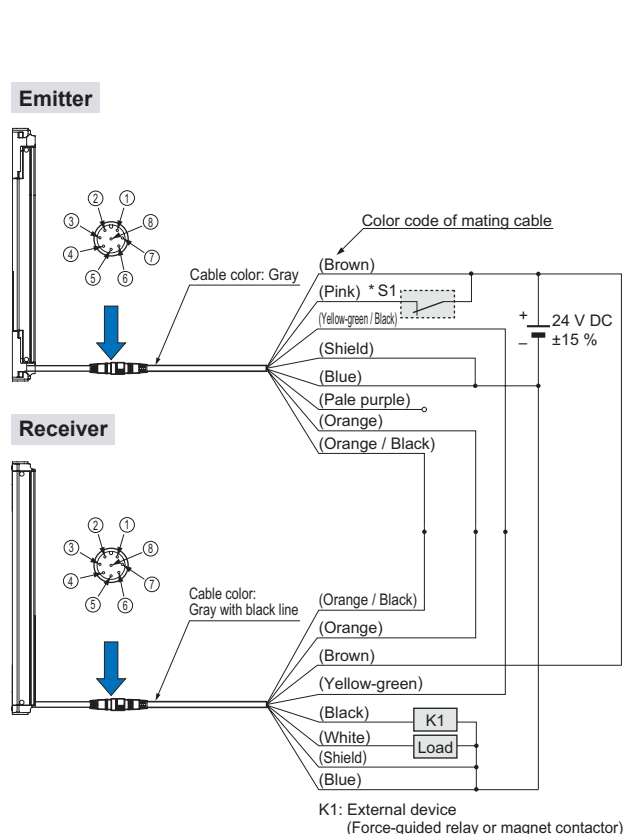
Wiring diagram

<In case of setting the external device monitoring function to enabled>



Note: Unused wires must be insulated to ensure that they do not come into contact with wires already in use.

<In case of setting the external device monitoring function to disabled>



Note: Unused wires must be insulated to ensure that they do not come into contact with wires already in use.

FIBER SENSORS

LASER SENSORS

PHOTO-ELECTRIC SENSORS

MICRO PHOTO-ELECTRIC SENSORS

AREA SENSORS

LIGHT CURTAINS / SAFETY COMPONENTS

PRESSURE / FLOW SENSORS

INDUCTIVE PROXIMITY SENSORS

PARTICULAR USE SENSORS

SENSOR OPTIONS

WIRE-SAVING UNITS

WIRE-SAVING SYSTEMS

MEASUREMENT SENSORS

STATIC ELECTRICITY PREVENTION DEVICES

LASER MARKERS

PLC

HUMAN MACHINE INTERFACES

ENERGY CONSUMPTION VISUALIZATION COMPONENTS

FA COMPONENTS

MACHINE VISION SYSTEMS

UV CURING SYSTEMS

Selection Guide

Light Curtains

Safety Components

Optical Touch Switch

Control Units

Definition of Sensing Heights

SF4B-C

SF4C

SF2C

SF4B

SF2B

BSF4-AH80

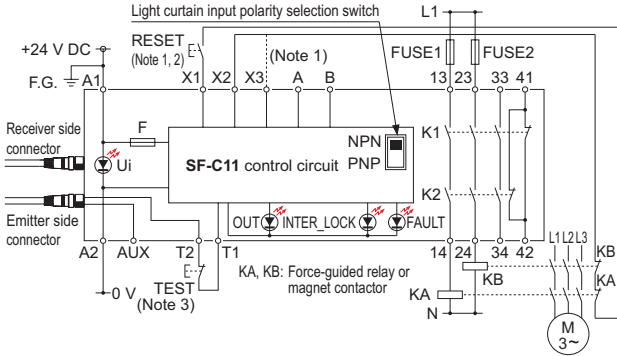
I/O CIRCUIT AND WIRING DIAGRAMS

SF-C11

SF2B series wiring diagram (Control category 2)

NPN output type

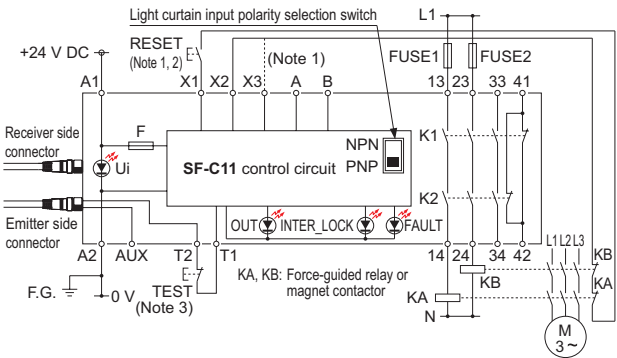
- Set the light curtain input polarity selection switch to the NPN side and ground the + side.



- Notes: 1) The above diagram is when using manual reset. If automatic reset is used, disconnect the lead from X2 and connect it to X3. In this case, a reset (RESET) button is not needed.
 2) Use a momentary-type switch as the reset (RESET) button.
 3) Emission halt occurs when the test (TEST) button is open, and emission occurs when the test (TEST) button is short-circuited. If not using the test (TEST) button, short-circuit T1 and T2. However, use a test rod or similar to interrupt the light in order to carry out self-diagnosis separately.

PNP output type

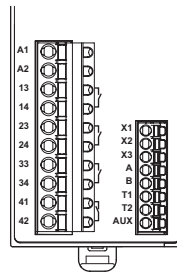
- Set the light curtain input polarity selection switch to the PNP side and ground the 0 V line.



- Notes: 1) The above diagram is when using manual reset. If automatic reset is used, disconnect the lead from X2 and connect it to X3. In this case, a reset (RESET) button is not needed.
 2) Use a momentary-type switch as the reset (RESET) button.
 3) Emission halt occurs when the test (TEST) button is open, and emission occurs when the test (TEST) button is short-circuited. If not using the test (TEST) button, short-circuit T1 and T2. However, use a test rod or similar to interrupt the light in order to carry out self-diagnosis separately.

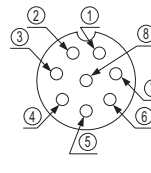
Be sure to use the following mating cables when connecting **SF-C11** to **SF2B** series.
SF2B-CB05 (cable length: 0.5 m **1.640 ft**)
SF2B-CB5 (cable length: 5 m **16.404 ft**)
SF2B-CB10 (cable length: 10 m **32.808 ft**)
SFB-CCJ10E (for emitter, cable length: 10 m **32.808 ft**)
SFB-CCJ10D (for receiver, cable length: 10 m **32.808 ft**)

Terminal arrangement diagram



| Terminal | Function |
|---------------------|-----------------------------------|
| A1 | +24 V DC |
| A2 | 0 V |
| 13-14, 23-24, 33-34 | Safety output (NO contact × 3) |
| 41-42 | Auxiliary output (NC contact × 1) |
| X1 | Reset output terminal |
| X2 | Reset input terminal (Manual) |
| X3 | Reset input terminal (Automatic) |
| A | Not used |
| B | |
| T1 | Test output terminal |
| T2 | Test input terminal |
| AUX | Semiconductor auxiliary output |

Pin layout for light curtain connectors



| Connector pin No. | Emitter side connector | Receiver side connector |
|-------------------|------------------------|------------------------------|
| ① | Not used | OSSD2 |
| ② | +24 V DC | +24 V DC |
| ③ | Emission halt | OSSD1 |
| ④ | Auxiliary output | EDM (External relay monitor) |
| ⑤ | Synchronization wire + | Synchronization wire + |
| ⑥ | Synchronization wire - | Synchronization wire - |
| ⑦ | 0 V | 0 V |
| ⑧ | Shield wire | Shield wire |

SF4B-C

SF4C

SF2C

SF4B

SF2B

BSF4-AH80

Selection Guide
 Light Curtains
 Safety Components
 Optical Touch Switch
 Control Units
 Definition of Sensing Heights

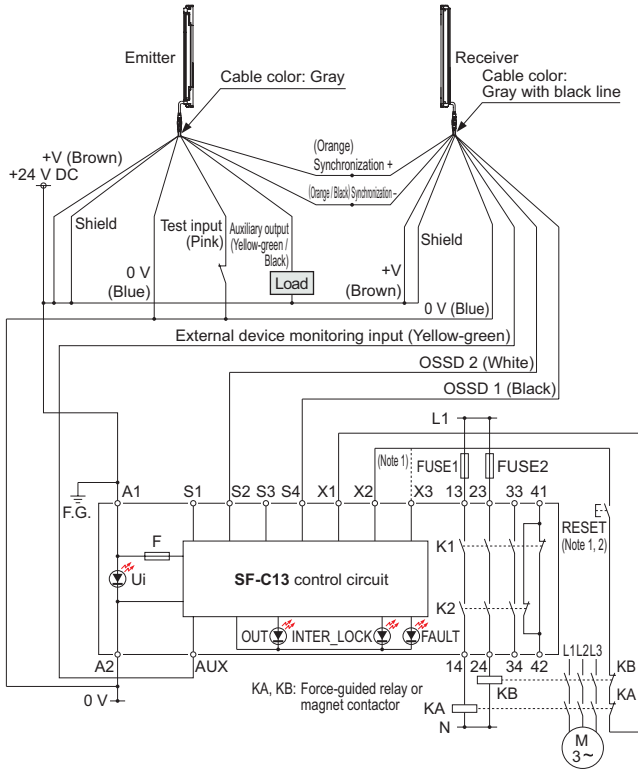
I/O CIRCUIT AND WIRING DIAGRAMS

SF-C13

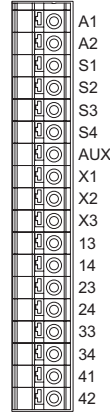
SF2B series wiring diagram (Control category 2)

NPN output type

- Connect the light curtain control outputs OSSD 1 and OSSD 2 to S4 and S2 respectively and ground the + side.



Terminal arrangement diagram



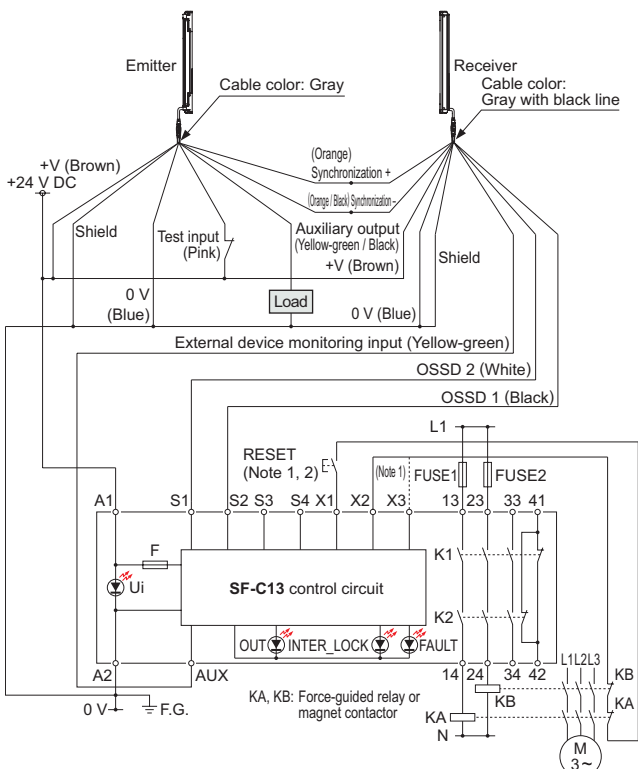
| Terminal | Function |
|---------------------|--|
| A1 | +24 V DC |
| A2 | 0 V |
| S1 to S4 | Light curtain control output (OSSD) input terminal |
| AUX | Semiconductor auxiliary output |
| X1 | Reset output terminal |
| X2 | Reset input terminal (Manual) |
| X3 | Reset input terminal (Automatic) |
| 13-14, 23-24, 33-34 | Safety output (NO contact × 3) |
| 41-42 | Auxiliary output (NC contact × 1) |

Use a separate terminal block to carry out wiring for light curtains that cannot be connected to the **SF-C13**.

- Notes: 1) The left diagram is when using manual reset. If automatic reset is used, disconnect the lead from X2 and connect it to X3. In this case, a reset (RESET) button is not needed.
 2) Use a momentary-type switch as the reset (RESET) button.

PNP output type

- Connect the light curtain control outputs OSSD 1 and OSSD 2 to S1 and S2 respectively.



- Notes: 1) The left diagram is when using manual reset. If automatic reset is used, disconnect the lead from X2 and connect it to X3. In this case, a reset (RESET) button is not needed.
 2) Use a momentary-type switch as the reset (RESET) button.

FIBER SENSORS

LASER SENSORS

PHOTO-ELECTRIC SENSORS

MICRO PHOTO-ELECTRIC SENSORS

AREA SENSORS

LIGHT CURTAINS / SAFETY COMPONENTS

PRESSURE / FLOW SENSORS

INDUCTIVE PROXIMITY SENSORS

PARTICULAR USE SENSORS

SENSOR OPTIONS

SIMPLE WIRE-SAVING UNITS

WIRE-SAVING SYSTEMS

MEASUREMENT SENSORS

STATIC ELECTRICITY PREVENTION DEVICES

LASER MARKERS

PLC

HUMAN MACHINE INTERFACES

ENERGY CONSUMPTION VISUALIZATION COMPONENTS

FA COMPONENTS

MACHINE VISION SYSTEMS

UV CURING SYSTEMS

Selection Guide

Light Curtains

Safety Components

Optical Touch Switch

Control Units

Definition of Sensing Heights

SF4B-C

SF4C

SF2C

SF4B

SF2B

BSF4-AH80

PRECAUTIONS FOR PROPER USE

Refer to p.1458~ for general precautions.
The instruction manual can be downloaded from our website.



- This light curtain is a Type 2 electro-sensitive protective equipment. It is specified that this light curtain be utilized only within systems implementing control categories 2, 1 and B (safety-related categories for control systems), as determined by European Standard EN 954-1. This light curtain must never be utilized in any system that requires the usage of category 4 equipment, such as press machines; nor for systems requiring category 3 equipment.
- To use this product in the U.S.A., refer to OSHA 1910. 212 and OSHA 1910. 217 for installation, and in Europe, refer to EN 999 as well. Observe your national and local requirements before installing this product.

- This catalog is a guide to select a suitable product. Be sure to read instruction manual attached to the product prior to its use.
- Both emitter and receiver are combined adjusted on factory setting, please apply both emitter and receiver with the same serial No. The serial No. is indicated on the plates of both emitter and receiver. (Indicated under the model No.)

- Make sure to carry out the test run before regular operation.
- This safety system is for use only on machinery in which the dangerous parts can be stopped immediately, either by an emergency stop unit or by disconnecting the power supply. Do not use this system with machinery which cannot be stopped at any point in its operation cycle.

Self-diagnosis function

- This light curtain incorporates the self-diagnosis function. In case an abnormality is detected during self-diagnosis, the light curtain is put in the lockout state at that instant, and the control output (OSSD 1, OSSD 2) is fixed at the OFF state. Refer to "Troubleshooting" and the instruction manual and remove the cause of the abnormality.



- In order to maintain safe condition of light curtain, inspect the beam interrupted status of the device once a day or more. Failure to do so could delay the detection of unexpected abnormality and increase the degree of hazard, which may cause the malfunction of light curtain, resulting in serious body injury or death.
- In order to check all abnormalities in the OSSD 1, OSSD 2 and auxiliary output, the beam interrupted status of device must be checked. Perform either of two below to inspect the device under beam interrupted status.
 - Emission halt by test input (Emission halt function)
 - Beam interrupting by test rod (Excluding the cable SF2B-CB05-A)

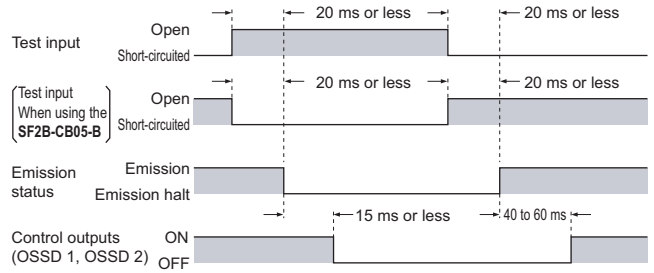
Emission halt function (Test input)

- This function stops the emission process of the emitter. You can select whether emission is on or halted by means of the connection status for the test input (pink).

| Test input | Emission status | |
|------------------------|----------------------------|---------------|
| | When using the SF2B-CB05-B | |
| Open | Emission halt | Emission |
| Connected to 0 V or +V | Emission | Emission halt |

- During emission halt, the control outputs (OSSD 1, OSSD 2) become OFF status.
- By using this function, malfunction due to extraneous noise or abnormality in the control outputs (OSSD 1, OSSD 2) and the auxiliary output can be determined even from the machinery side.

<Time chart>



Do not use the emission halt function (test input) for the purpose of stopping the device. Failure to do so could result in serious injury or death.

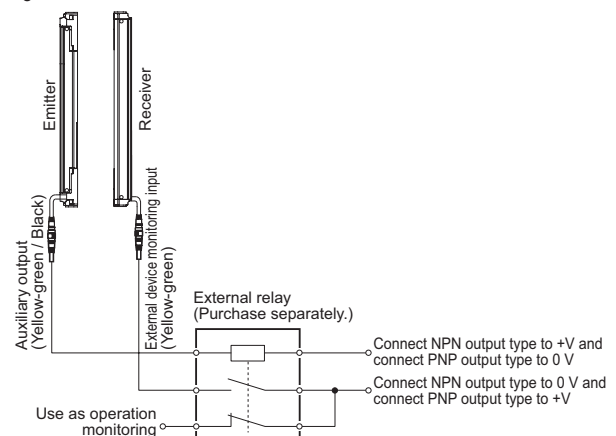
Auxiliary output

- Auxiliary output is incorporated into the emitter and its operation varies depending on the type of bottom cap cable (optional) to be used.

| Bottom cap cable | Normal mode | | | Lockout |
|-------------------------------------|-----------------|---|------------------|---------|
| | Emission halt | Control outputs (OSSD 1, OSSD 2) status | | |
| | | Beam received | Beam interrupted | |
| When using the SF2B-CCB□ / SF2B-CB□ | ON | OFF | ON | ON |
| When using the SF2B-CB05-A | OFF | ON | ON | OFF |
| SF2B-CB05-B | Cannot be used. | | | |

When bottom cap cable SF2B-CCB□ or SF2B-CB□ (optional) is used

- The auxiliary output is incorporated in the emitter. It is OFF when the control outputs (OSSD 1, OSSD 2) are ON and vice versa.
- The auxiliary output can be used as an operation monitor of the device.
- When the external device monitor function is not used, connect the external device monitor input line to the auxiliary output line to disable the function. In this case, do not connect the load to the auxiliary output. For details, refer to "External device monitoring function (p.626)" and "I/O CIRCUIT AND WIRING DIAGRAMS (p.621~)".
- When the external device monitoring function is used to disable, do not directly use the auxiliary output as the operation monitor of this light curtain. When the external device monitor is used to monitor the operation of light curtain, connect the auxiliary output and the external device monitoring input to the external relay (purchase separately) to use the external relay contacting point as an operation monitor of this light curtain.



- FIBER SENSORS
- LASER SENSORS
- PHOTO-ELECTRIC SENSORS
- MICRO PHOTO-ELECTRIC SENSORS
- AREA SENSORS
- LIGHT CURTAINS SAFETY COMPONENTS
- PRESSURE / FLOW SENSORS
- INDUCTIVE PROXIMITY SENSORS
- PARTICULAR USE SENSORS
- SENSOR OPTIONS
- SIMPLE WIRE-SAVING UNITS
- WIRE-SAVING SYSTEMS
- MEASURE-MENT SENSORS
- STATIC ELECTRICITY PREVENTION DEVICES
- LASER MARKERS
- PLC
- HUMAN MACHINE INTERFACES
- ENERGY CONSUMPTION VISUALIZATION COMPONENTS
- FA COMPONENTS
- MACHINE VISION SYSTEMS
- UV CURING SYSTEMS

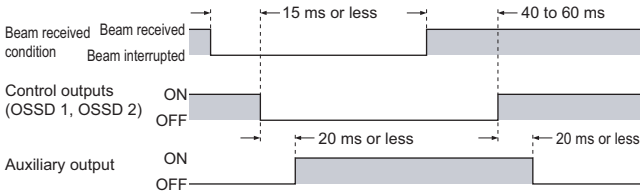
- Selection Guide
- Light Curtains
- Safety Components
- Optical Touch Switch
- Control Units
- Definition of Sensing Heights

- SF4B-C
- SF4C
- SF2C
- SF4B
- SF2B
- BSF4-AH80

PRECAUTIONS FOR PROPER USE

Refer to p.1458~ for general precautions.
The instruction manual can be downloaded from our website.

<Time chart>



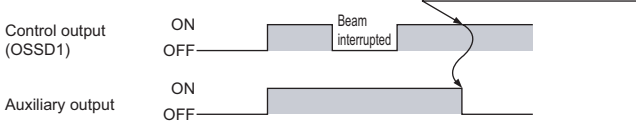
When bottom cap cable SF2B-CB05-A (optional) is used



Make sure to use the auxiliary output when using the bottom cap cable **SF2B-CB05-A** (optional). Set the device so the control machine can be stopped when either the control output (OSSD 1) or auxiliary output turns to OFF. If the auxiliary output is should not be used, the device cannot stop operation when an unexpected error occurs during control output (OSSD 1) failure, which may result in serious injury or death.

- The auxiliary output is incorporated in the emitter. It outputs ON at the normal operation of device. It outputs OFF in the following cases:
 - When an abnormality which needs emission halt status occurs [for example, the control output (OSSD 1) short-circuit and an error occurs.]
 - While test input has been input
- The error cannot be transmitted to the control machine. The alarm signal is output from the auxiliary output.

<Time chart>



When bottom cap cable SF2B-CB05-B (optional) is used

- The auxiliary output cannot be utilized by using the bottom cap cable **SF2B-CB05-B** (optional).

External device monitoring function

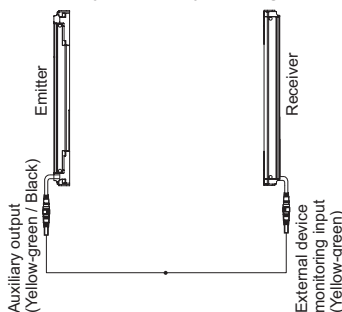
- This function is available when the bottom cap cable **SF2B-CCB** or **SF2B-CB** (optional) is used. This is the function for checking whether the external safety relay connected to the control outputs (OSSD 1, OSSD 2) performs normally in accordance with the control outputs (OSSD 1, OSSD 2) or not. Monitor the b contact of the external safety relay, and if any abnormality such as deposit of the contacting point, etc. is detected, change the status of the light curtain into lockout one, and turn OFF the control outputs (OSSD 1, OSSD 2).

In case of setting the external device monitoring function to enabled

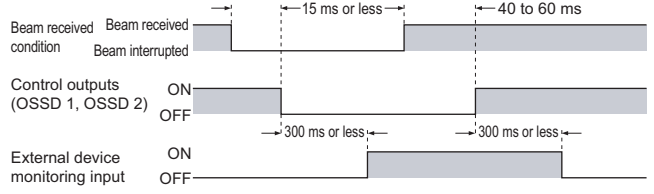
- Connect the external device monitoring input (yellow-green) to the b contact of the external safety relay that is connected to the control outputs (OSSD 1, OSSD 2).

In case of not using the external device monitoring function

- Connect the external device monitoring input (yellow-green) to the auxiliary output (yellow-green / black).

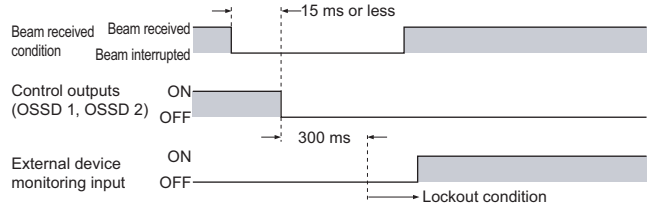


<Time chart (normal)>

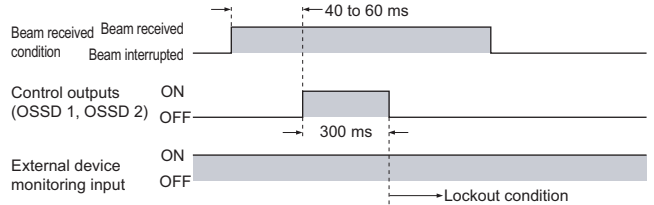


- The time set for external device monitoring is 300 ms or less. Exceeding 300 ms turns the light curtain into lockout condition.

<Time chart (Error ①)>



<Time chart (Error ②)>



Series connection

Connectable up to 3 sets of light curtains (however, 128 beam channels max.) (Note 1, 2)

- This is the configuration for connecting multiple sets of emitters and receivers facing each other in series. It is used when the dangerous part can be entered from two or more directions. The control outputs (OSSD 1, OSSD 2) turns OFF if any of the light curtain is interrupted. For details, refer to the instruction manual.

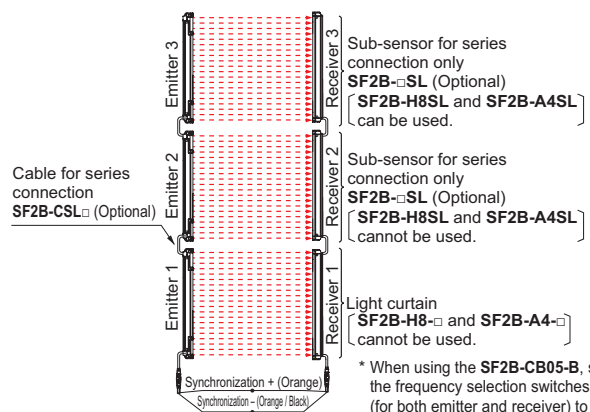
- Notes 1): Series connection connectors cannot be used with the **SF2B-H8** and **SF2B-A4**, and so series connection is not possible. The **SF2B-H8SL** and **SF2B-A4SL** are not equipped with series connection connectors, so when connecting three sets in series, they cannot be used in the middle position.
- 2): The total number of beam axes for the **SF2B-A** is a maximum of 96 when two sets are connected, and 64 when three sets are connected. When **SF2B-H** and **SF2B-A** are combined in series connection, double the number of the beam channels of **SF2B-A** to calculate the total number of beam channels, which should be 128 or less.

Example: The total no. of beam channels for **SF2B-H36** and **SF2B-A44** is 124.

The no. of beam channels of **SF2B-H36** + (the No. of beam channels of **SF2B-A44** × 2) = Total no. of beam channels
36 beam channels + (44 beam channels × 2) = 124 beam channels



For serial connections, connect the emitter and receiver of the light curtain to the emitter and receiver respectively of the sub-sensors for series connection using the **SF2B-CSL** special series connection cables. Wrong connection could generate the non-sensing area, resulting in serious injury or death.



* When using the **SF2B-CB05-B**, set the frequency selection switches (for both emitter and receiver) to "1".

FIBER SENSORS

LASER SENSORS

PHOTO-ELECTRIC SENSORS

MICRO PHOTO-ELECTRIC SENSORS

AREA SENSORS

LIGHT CURTAINS / SAFETY COMPONENTS

PRESSURE / FLOW SENSORS

INDUCTIVE PROXIMITY SENSORS

PARTICULAR USE SENSORS

SENSOR OPTIONS

SIMPLE WIRE-SAVING UNITS

WIRE-SAVING SYSTEMS

MEASUREMENT SENSORS

STATIC ELECTRICITY PREVENTION DEVICES

LASER MARKERS

PLC

HUMAN MACHINE INTERFACES

ENERGY CONSUMPTION VISUALIZATION COMPONENTS

FA COMPONENTS

MACHINE VISION SYSTEMS

UV CURING SYSTEMS

Selection Guide

Light Curtains

Safety Components

Optical Touch Switch

Control Units

Definition of Sensing Heights

SF4B-C

SF4C

SF2C

SF4B

SF2B

BSF4-AH80

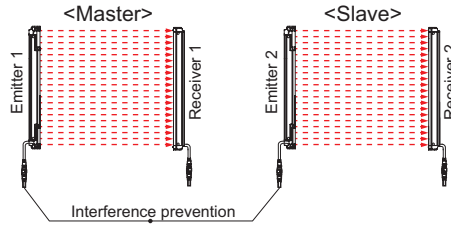
- FIBER SENSORS
- LASER SENSORS
- PHOTO-ELECTRIC SENSORS
- MICRO PHOTO-ELECTRIC SENSORS
- AREA SENSORS
- LIGHT CURTAINS SAFETY COMPONENTS
- PRESSURE / FLOW SENSORS
- INDUCTIVE PROXIMITY SENSORS
- PARTICULAR USE SENSORS
- SENSOR OPTIONS
- SIMPLE WIRE-SAVING UNITS
- WIRE-SAVING SYSTEMS
- MEASUREMENT SENSORS
- STATIC ELECTRICITY PREVENTION DEVICES
- LASER MARKERS
- PLC
- HUMAN MACHINE INTERFACES
- ENERGY CONSUMPTION VISUALIZATION COMPONENTS
- FA COMPONENTS
- MACHINE VISION SYSTEMS
- UV CURING SYSTEMS

Refer to p.1458~ for general precautions.
The instruction manual can be downloaded from our website.

PRECAUTIONS FOR PROPER USE

Parallel connection

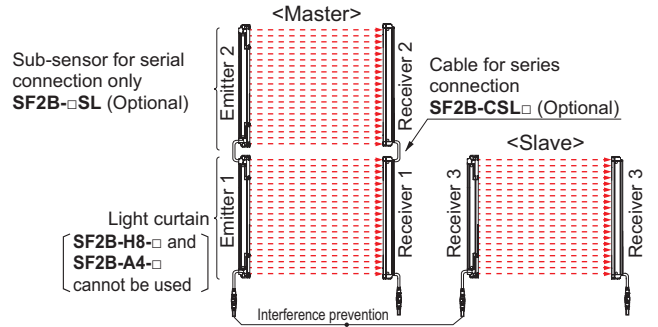
- Up to a maximum of two sets can be connected in parallel only when using the **SF2B-CB05-B** adapter cable (optional). For details, refer to the instruction manual.



* Set the frequency selection switches (for both emitter and receiver) to "1" at the master units, and set them to "2" at the slave units.

Series and parallel mixed connection

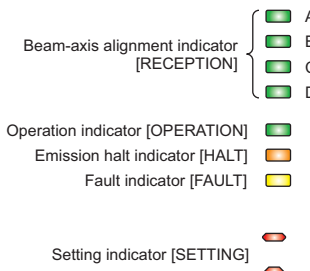
- Up to a maximum of three sets can be connected in a mixture of series and parallel (for a total maximum number of 128 beam channels. However, the total number of beam channels for the **SF2B-A□** is a maximum of 96 when two sets are connected, and 64 when three sets are connected.) only when using the **SF2B-CB05-B** adapter cable (optional). For details, refer to the instruction manual.



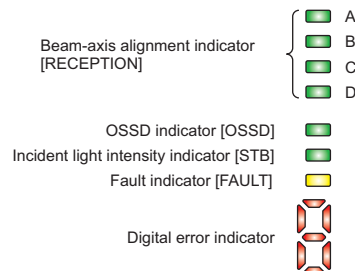
* Set the frequency selection switches (for both emitter and receiver) to "1" at the master units, and set them to "2" at the slave units.

Part description and function

Emitter



Receiver



| Description | Function |
|---|--|
| Beam-axis alignment indicator (Red / Green) [RECEPTION] | A When all beam channels of light curtain top are receiving light: lights up in red When light curtain top end receives light: blinks in red When control outputs (OSSD 1, OSSD 2) are ON: lights up in green (always off when using the SF2B-CB05-B) |
| | B When all beam channels of light curtain upper middle are receiving light: lights up in red When control outputs (OSSD 1, OSSD 2) are ON: lights up in green (always off when using the SF2B-CB05-B) |
| | C When all beam channels of light curtain lower middle are receiving light: lights up in red When control outputs (OSSD 1, OSSD 2) are ON: lights up in green (always off when using the SF2B-CB05-B) |
| | D When all beam channels of light curtain bottom are receiving light: lights up in red When sensor bottom end receives light: blinks in red When control outputs (OSSD 1, OSSD 2) are ON: lights up in green (always off when using the SF2B-CB05-B) |
| Operation indicator (Red / Green) [OPERATION] | When control outputs (OSSD 1, OSSD 2) are OFF: lights up in red When control outputs (OSSD 1, OSSD 2) are ON: lights up in green (When using the SF2B-CB05-B When fault occurs in the emitter: light up in red When emitter is normal: light up in green) |
| Emission halt indicator (Orange) [HALT] | When light emission is halt: lights up When light is emitted: lights off |
| Fault indicator (Yellow) [FAULT] | When fault occurs in the sensor: lights up or blinks |
| Setting indicator (Red) [SETTING] | Always off (When using the SF2B-CB05-B One lights up when set to Frequency 1 Two light up when set to Frequency 2) |
| Frequency selection switch | Used for switching between master and slave when using the SF2B-CB05-B . Set to "1" for master and "2" for slave. |

| Description | Function |
|---|---|
| Beam-axis alignment indicator (Red / Green) [RECEPTION] | A When all beam channels of light curtain top are receiving light: lights up in red When sensor top end receives light: blinks in red When control outputs (OSSD 1, OSSD 2) are ON: lights up in green |
| | B When all beam channels of light curtain upper middle are receiving light: lights up in red When control outputs (OSSD 1, OSSD 2) are ON: lights up in green |
| | C When all beam channels of light curtain lower middle are receiving light: lights up in red When control outputs (OSSD 1, OSSD 2) are ON: lights up in green |
| | D When all beam channels of light curtain bottom are receiving light: lights up in red When sensor bottom end receives light: blinks in red When control outputs (OSSD 1, OSSD 2) are ON: lights up in green |
| OSSD indicator (Red / Green) [OSSD] | When control outputs (OSSD 1, OSSD 2) are OFF: lights up in red When control outputs (OSSD 1, OSSD 2) are ON: lights up in green |
| Incident light intensity indicator (Orange / Green) [STB] | When sufficient light is received (incident light intensity: 130 % or more) (Note 1): lights up in green When stable light is received (incident light intensity: 115 to 130 %) (Note 1): OFF When unstable light is received (incident light intensity: 100 to 115 %) (Note 1): lights up in orange When light is interrupted: OFF (Note 2) |
| Fault indicator (Yellow) [FAULT] | When fault occurs in the sensor: lights up or blinks |
| Digital error indicator (Red)(Note 3) | When device is lockout: lights up for malfunction content (When using the SF2B-CB05-B Display shows fault contents during lockout. Center lights up when set to Frequency 1 Center and bottom lights up when set to Frequency 2) |
| Frequency selection switch | Used for switching between master and slave when using the SF2B-CB05-B . Set to "1" for master and "2" for slave. |

- Notes: 1) The threshold value where the control output changes from OFF to ON is applied as "100 % incident light intensity".
2) The status "when light is interrupted" refers to the status that the some obstacle is existed in the sensing area.
3) For details, refer to "**Troubleshooting** (p.629)" and the **SF2B** instruction manual.
4) The description given in [] is marked on the light curtain.

PRECAUTIONS FOR PROPER USE

Wiring



Refer to the applicable regulations for the region where this light curtain is to be used when setting up the light curtain. In addition, make sure that all necessary measures are taken to prevent possible dangerous operating errors resulting from earth faults.

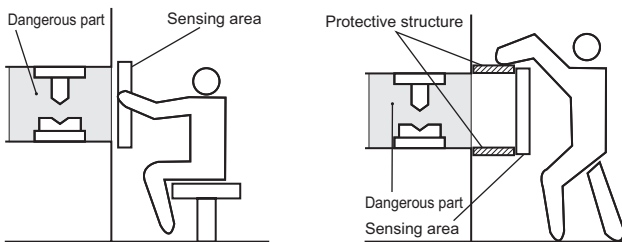
- Make sure to carry out the wiring in the power supply off condition.
- Verify that the supply voltage variation is within the rating.
- If power is supplied from a commercial switching regulator, ensure that the frame ground (F.G.) terminal of the power supply is connected to an actual ground.
- In case noise generating equipment (switching regulator, inverter motor, etc.) is used in the vicinity of this sensor, connect the frame ground (F.G.) terminal of the equipment to an actual ground.
- Do not run the wires together with high-voltage lines or power lines or put them in the same raceway. This can cause malfunction due to induction.

Sensing area

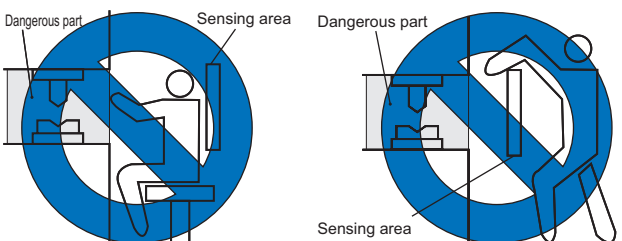


- Make sure to install this product such that any part of the human body must pass through its sensing area in order to reach the dangerous parts of the machinery. If the human body is not detected, there is a danger of serious injury or death.
- Do not use any reflective type or retroreflective type arrangement.
- Emitter and receiver that face each other should be from the same model No. (with same beam axis pitch and number of beam channels) and aligned in the vertical direction. If units from different sets are connected together, it may cause blind spots in the sensing area, and death or serious injury may result.
- Furthermore, facing several receivers towards one emitter, or vice versa, could produce a non-sensing area or cause mutual interference, which may result in serious injury or death.

Correct mounting method



Wrong mounting method

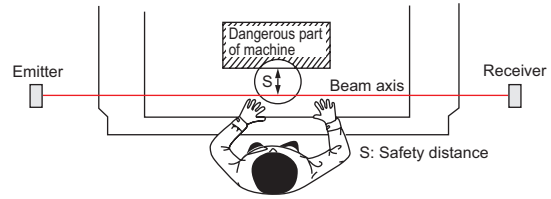


Safety distance



- Calculate the safety distance correctly, and always maintain a distance which is equal to or greater than the safety distance, between the sensing area of this light curtain and the dangerous parts of the machinery. (Please check the latest standards for the equation.) If the safety distance is miscalculated or if sufficient distance is not maintained, there is a danger of serious injury or death.
- Before designing the system, refer to the relevant standards of the region where this device is to be used and then install this device.

Refer to p.1458~ for general precautions.
The instruction manual can be downloaded from our website.



- Safety distance is calculated based on the following equation when a person moves perpendicular (normal intrusion) to the sensing area of the light curtain. In case the intrusion direction is not perpendicular to the sensing area, be sure to refer to the relevant standard (regional standard, specification of the machine, etc.) for details of the calculation. (Please check the latest standards for the equation.)

For use in Europe (EU) (as EN 999)(Also applicable to ISO 13855) For intrusion direction perpendicular to the sensing area

- Equation ① $S = K \times T + C$

S: Safety distance (mm)

Minimum required distance between the sensing area surface and the dangerous parts of the machine

K: Intrusion speed of operator's body or objects (mm/sec.)

Normally, taken as **SF2B-H** 2,000 (mm/sec.),

SF2B-A 1,600 (mm/sec.) for calculation.

T: Response time of total equipment (sec.)

$T = T_m + T_{SF2B}$

T_m : Maximum halting time of machinery (sec.)

T_{SF2B} : Response time of the **SF2B** series 0.015 (sec.)

C: Additional distance calculated from the size of the minimum sensing object of the light curtain (mm)

However, the value of "C" cannot be 0 or less.

$C = 8 \times (d - 14)$

d: Minimum sensing object diameter

SF2B-H: $d = 27$ (mm) 1.063 (in), $C = 104$ (mm) 4.094 (in)

For **SF2B-A**, $C = 850$ (mm) 33.465 (in) (constant)

- For calculating the safety distance "S", there are the following five cases. First calculate by substituting the value $K = 2,000$ (mm/sec.) in the equation above. Then, classify the obtained value of "S" into three cases, 1) $S < 100$, 2) $100 \leq S \leq 500$, and 3) $S > 500$. For Case 3) $S > 500$, recalculate by substituting the value $K = 1,600$ (mm/sec.). After that, classify the calculation result into two cases, 4) $S \leq 500$ and 5) $S > 500$. For details, refer to the instruction manual enclosed with this product.

For use in the United States of America (as per ANSI B11.19)

- Equation ② $S = K \times (T_s + T_c + T_{SF2B} + T_{bm}) + D_{pf}$

S: Safety distance (mm)

Minimum required distance between the sensing area surface and the dangerous parts of the machine

K: Intrusion velocity {Recommended value in OSHA is 63 (inch/sec.)

$\approx 1,600$ (mm/sec.);

ANSI B11.19 does not define the intrusion velocity "K". When determining K, consider possible factors including physical ability of operators.

T_s : Halting time calculated from the operation time of the control element (air valve, etc.) (sec.)

T_c : Maximum response time of the control circuit required for functioning the brake (sec.)

T_{SF2B} : Response time of light curtain 0.015 (sec.)

T_{bm} : Additional halting time tolerance for the brake monitor (sec.)

$T_{bm} = T_a - (T_s + T_c)$

T_a : Setting time of brake monitor (sec.)

When the machine is not equipped with a brake monitor, it is recommended that 20 % or more of

$(T_s + T_c)$ is taken as additional halting time.

D_{pf} : Additional distance calculated from the size of the minimum sensing object of the light curtain

SF2B-H $D_{pf} = 2.676$ (inch) ≈ 68 (mm)

SF2B-A $D_{pf} = 5.355$ (inch) ≈ 136 (mm)

$D_{pf} = 3.4 \times (d - 0.276)$ (inch)

$D_{pf} \approx 3.4 \times (d - 7)$ (mm)

d: Minimum sensing object diameter 1.063 (inch) ≈ 27 (mm) **SF2B-H**

Minimum sensing object diameter 1.851 (inch) ≈ 47 (mm) **SF2B-A**

FIBER SENSORS

LASER SENSORS

PHOTO-ELECTRIC SENSORS

MICRO PHOTO-ELECTRIC SENSORS

AREA SENSORS

LIGHT CURTAINS/ SAFETY COMPONENTS

PRESSURE / FLOW SENSORS

INDUCTIVE PROXIMITY SENSORS

PARTICULAR USE SENSORS

SENSOR OPTIONS

SIMPLE WIRE-SAVING UNITS

WIRE-SAVING SYSTEMS

MEASUREMENT SENSORS

STATIC ELECTRICITY PREVENTION DEVICES

LASER MARKERS

PLC

HUMAN MACHINE INTERFACES

ENERGY CONSUMPTION VISUALIZATION COMPONENTS

FA COMPONENTS

MACHINE VISION SYSTEMS

UV CURING SYSTEMS

Selection Guide

Light Curtains

Safety Components

Optical Touch Switch

Control Units

Definition of Sensing Heights

SF4B-C**SF4C****SF2C****SF4B****SF2B****BSF4-AH80**

PRECAUTIONS FOR PROPER USE

Refer to p.1458~ for general precautions.
The instruction manual can be downloaded from our website.

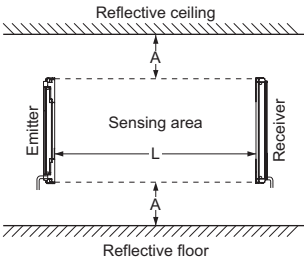
Influence of reflective surfaces



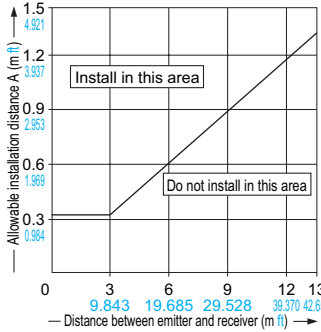
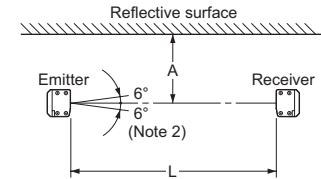
Install the light curtain by considering the effect of nearby reflective surfaces, and take countermeasures such as painting, masking, or changing the material of the reflective surface, etc. Failure to do so may cause the light curtain not to detect, resulting in serious body injury or death.

- Keep the minimum distance given below, between the light curtain and a reflective surface.

Side view



Top view



| Distance between emitter and receiver (Setting distance L) | Allowable installation distance A |
|--|--|
| 0.2 to 3 m 0.656 to 9.843 ft | 0.32 m 1.050 ft |
| 3 to 13 m 9.843 to 42.651 ft (Note 1) | $L / 2 \times \tan 2\theta$ = $L \times 0.106$ (m) 0.348 (ft) ($\theta = 6^\circ$) |

Notes: 1) If using the SF2B-CB05-B, the operating range is 0.3 to 5 m 0.984 to 16.404 ft.
2) The effective aperture angle for this device is $\pm 5^\circ$ or less (when $L > 3$ m 9.843 ft) as required by IEC 61496-2 / UL 61496-2. However, install this device away from reflective surfaces considering an effective aperture angle of $\pm 6^\circ$ to take care of beam misalignment, etc. during installation.

Troubleshooting

Emitter side

| Symptoms | Cause | Remedy |
|---|--|---|
| All indicators are off. | Power is not being supplied. | Check that the power supply capacity is sufficient. Connect the power supply correctly. |
| | Supply voltage is out of the specified range. | Provide the supply voltage within the specified range. |
| | Connector is not connected securely. | Connect the connector securely. |
| Operation indicator remains lit up in red (beam is not received). [OPERATION] | The beam channels of the emitter and the receiver are not correctly aligned. | Align the beam channels. |
| | Emission is in halt condition. | Connect the test input (emission halt input) wire correctly. The logic varies depending on the cable to be used. |
| Emission halt indicator (orange) lights up. [HALT] | The synchronization wire error | Connect the synchronization wire correctly. |
| | The receiver does not work. | Check the operation of the receiver side. |
| | The interference prevention wire error (When using the SF2B-CB05-B: When set to slave) | Connect the interference prevention wire correctly. |
| | Master / slave setting error (When using the SF2B-CB05-B: When set to master) | Set the master / slave setting to "master". |
| | The master sensor does not work. | Check the master side light curtain. |
| Fault indicator (yellow) lights up or blinks. [FAULT] | [Blinks once] Total light curtains No. / total beam channel No. error | Connect the end cap properly. Connect the cable for series connection correctly. Check the model (emitter / receiver) of sub-sensor for series connection. Set the No. of the light curtains in series connection, and a total No. of beam channels within the specification. |
| | [Blinks twice] Auxiliary output error | Connect the auxiliary output cable correctly. |
| | [Other than the above] Effect from noise / power supply or failure of internal circuit | Check the noise status around this light curtains. Check the wiring, supplied voltage and power supply capacity. Even if the error is not eliminated, contact our office. |

Receiver side

| Symptoms | Cause | Remedy |
|---|---|---|
| All indicators are off. | Power is not being supplied. | Check that the power supply capacity is sufficient. Connect the power supply correctly. |
| | Supply voltage is output of the specified range. | Set the supply voltage correctly. |
| | Connector is not connected securely. | Connect the connector securely. |
| OSSD indicator remains lit up in red (beam is not received). [OSSD] | The beam channels of the emitter and the receiver are not correctly aligned. | Align the beam channels. |
| | Total unit No. / total beam channel No. error The master / slave setting is different. (When using with the SF2B-CB05-B) | Set the same value to the Nos. of emitter and receiver. Set the setting identically. |
| Stable indicator lights up (Orange) [STB] | The beam channels of the emitter and the receiver are not correctly aligned. | Align the beam channels. |
| Fault indicator (yellow) lights up or blinks. [FAULT] | [Digital error indicator] Total light curtain No. / total beam channel No. error | Connect the end cap properly. Connect the cable for series connection correctly. Check the model (emitter / receiver) of sub sensor for series connection. Check that the number of light curtains / number of beam axes is within the specification value. |
| | [Digital error indicator] Control outputs (OSSD 1, OSSD 2) error | Connect the control outputs (OSSD1, OSSD2) correctly. |
| Fault indicator (yellow) lights up or blinks. [FAULT] | [Digital error indicator] Extraneous light error | Prevent any extraneous light from entering the receiver. |
| | [Digital error indicator] External device monitoring error | Connect the external device monitor input wire correctly. Replace the replay unit. Replace the relay unit having appropriate response time. |
| Fault indicator (yellow) lights up or blinks. [FAULT] | [Digital error indicator] Bottom connector error | Check the type of the bottom connector. Cable of the emitter: Grey (with black stripe) |
| | [Other than the above] Effect from noise / power supply or failure of internal circuit | Check the noise status around this light curtain. Check the wiring, supplied voltage and power supply capacity. Even if the error is not eliminated, contact our office. |

Corner mirror



- Be sure to carry out maintenance while referring to the instruction manual for the SF4B / SF2B series of light curtains.
- Do not use if dirt, water, or oil, etc. is attached to the reflective surface of this product. Appropriate sensing range may not be maintained due to diffusion or refraction.
- Make sure that you have read the instruction manual for the corner mirror thoroughly before setting up the corner mirrors and light curtains, and follow the instructions given. If the equipment is not set up correctly as stipulated in the instruction manual, incident light errors may result in unexpected situations which may result in serious injury or death.
- Please download the instruction manuals from our website.
- Light curtain SF4B / SF2B series cannot be used as a retroreflective type. Avoid installing the light curtain as a retroreflective type when this product is applied.
- The mirror part of this product is made of glass. Note that if it is broken, the glass shards may fly apart.

FIBER SENSORS
LASER SENSORS
PHOTO-ELECTRIC SENSORS
MICRO PHOTO-ELECTRIC SENSORS
AREA SENSORS
LIGHT CURTAINS SAFETY COMPONENTS
PRESSURE / FLOW SENSORS
INDUCTIVE PROXIMITY SENSORS
PARTICULAR USE SENSORS
SENSOR OPTIONS
SIMPLE WIRE-SAVING UNITS
WIRE-SAVING SYSTEMS
MEASUREMENT SENSORS
STATIC ELECTRICITY PREVENTION DEVICES
LASER MARKERS
PLC
HUMAN MACHINE INTERFACES
ENERGY CONSUMPTION VISUALIZATION COMPONENTS
FA COMPONENTS
MACHINE VISION SYSTEMS
UV CURING SYSTEMS

Selection Guide
Light Curtains
Safety Components
Optical Touch Switch
Control Units
Definition of Sensing Heights

SF4B-C
SF4C
SF2C
SF4B
SF2B
BSF4-AH80

DIMENSIONS (Unit: mm in)

The CAD data in the dimensions can be downloaded from our website.

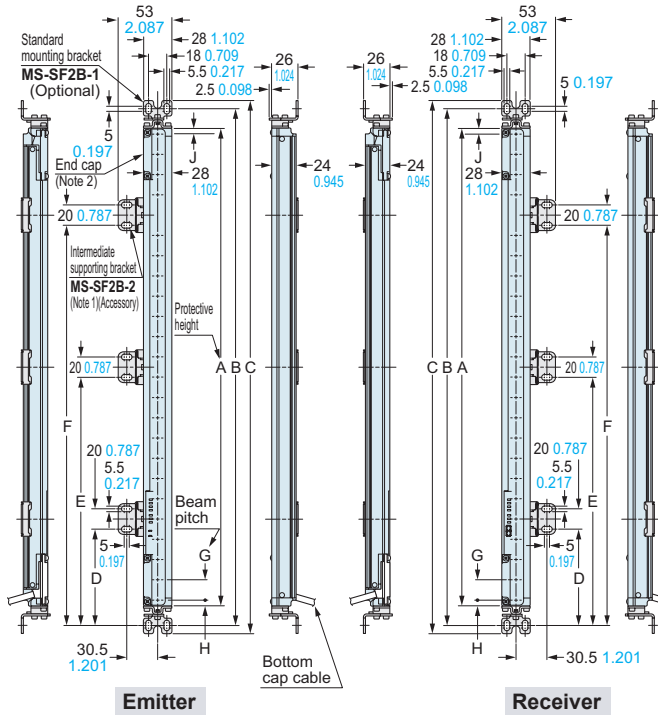
SF2B-□ SF2B-□SL

Light curtain, Sub-sensor for series connection only

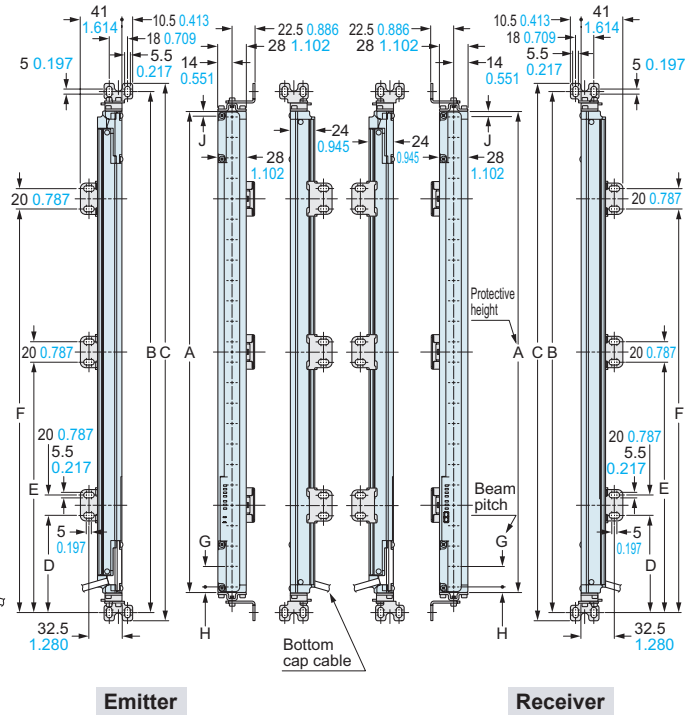
Assembly dimensions

Mounting drawing for the light curtains using the standard mounting brackets **MS-SF2B-1** (optional) and the intermediate supporting brackets **MS-SF2B-2** (accessory for light curtain).

<Rear mounting>



<Side mounting>



Notes: 1) The **MS-SF2B-2** intermediate supporting bracket is provided as an accessory with this product. The number of accessories provided varies depending on the product.
2) An end cap (connector for series connection) is not provided for the **SF2B-H8(SL)(-□)** and **SF2B-A4(SL)(-□)**.

| Model No. | | A | B | C | D | E | F |
|-------------------------|-------------------------|-----------------|-----------------|-----------------|---------------|-----------------|-----------------|
| SF2B-H8(SL)(-□) | SF2B-A4(SL)(-□) | 168 6.614 | 207 8.150 | 223 8.780 | — | — | — |
| SF2B-H12(SL)(-□) | SF2B-A6(SL)(-□) | 232 9.134 | 270 10.630 | 286 11.260 | — | — | — |
| SF2B-H16(SL)(-□) | SF2B-A8(SL)(-□) | 312 12.283 | 350 13.780 | 366 14.409 | — | — | — |
| SF2B-H20(SL)(-□) | SF2B-A10(SL)(-□) | 392 15.433 | 430 16.929 | 446 17.559 | — | — | — |
| SF2B-H24(SL)(-□) | SF2B-A12(SL)(-□) | 472 18.583 | 510 20.079 | 526 20.709 | — | — | — |
| SF2B-H28(SL)(-□) | SF2B-A14(SL)(-□) | 552 21.732 | 590 23.228 | 606 23.858 | — | — | — |
| SF2B-H32(SL)(-□) | SF2B-A16(SL)(-□) | 632 24.882 | 670 26.378 | 686 27.008 | — | — | — |
| SF2B-H36(SL)(-□) | SF2B-A18(SL)(-□) | 712 28.031 | 750 29.528 | 766 30.157 | — | — | — |
| SF2B-H40(SL)(-□) | SF2B-A20(SL)(-□) | 792 31.181 | 830 32.677 | 846 33.307 | 390 15.354 | — | — |
| SF2B-H48(SL)(-□) | SF2B-A24(SL)(-□) | 952 37.480 | 990 38.976 | 1,006 39.606 | 470 18.504 | — | — |
| SF2B-H56(SL)(-□) | SF2B-A28(SL)(-□) | 1,112 43.779 | 1,150 45.276 | 1,166 45.905 | 550 21.654 | — | — |
| SF2B-H64(SL)(-□) | SF2B-A32(SL)(-□) | 1,272 50.079 | 1,310 51.575 | 1,326 52.205 | 418 16.457 | 842 33.150 | — |
| SF2B-H72(SL)(-□) | SF2B-A36(SL)(-□) | 1,432 56.378 | 1,470 57.874 | 1,486 58.504 | 472 18.583 | 948 37.323 | — |
| SF2B-H80(SL)(-□) | SF2B-A40(SL)(-□) | 1,592 62.677 | 1,630 64.173 | 1,646 64.803 | 525 20.669 | 1,055 41.535 | — |
| SF2B-H88(SL)(-□) | SF2B-A44(SL)(-□) | 1,752 68.976 | 1,790 70.472 | 1,806 71.102 | 433 17.047 | 870 34.252 | 1,308 51.496 |
| SF2B-H96(SL)(-□) | SF2B-A48(SL)(-□) | 1,912 75.275 | 1,950 76.772 | 1,966 77.401 | 473 18.622 | 950 37.402 | 1,428 56.220 |

| Model No. | G | H | J (Note) |
|----------------|-------------|-------------|------------|
| SF2B-H□ | 20 0.787 | 6 0.236 | 6 0.236 |
| SF2B-A□ | 40 1.575 | 26 1.024 | 6 0.236 |

Note: The distance between the tip of the light curtain and the last beam axis of the **SF2B-H8(SL)(-□)** and **SF2B-A4(SL)(-□)** is 22 mm 0.866 in.

FIBER SENSORS

LASER SENSORS

PHOTO-ELECTRIC SENSORS

MICRO PHOTO-ELECTRIC SENSORS

AREA SENSORS

LIGHT CURTAINS / SAFETY COMPONENTS

PRESSURE / FLOW SENSORS

INDUCTIVE PROXIMITY SENSORS

PARTICULAR USE SENSORS

SENSOR OPTIONS

SIMPLE WIRE-SAVING UNITS

WIRE-SAVING SYSTEMS

MEASUREMENT SENSORS

STATIC ELECTRICITY PREVENTION DEVICES

LASER MARKERS

PLC

HUMAN MACHINE INTERFACES

ENERGY CONSUMPTION VISUALIZATION COMPONENTS

FA COMPONENTS

MACHINE VISION SYSTEMS

UV CURING SYSTEMS

Selection Guide

Light Curtains

Safety Components

Optical Touch Switch

Control Units

Definition of Sensing Heights

SF4B-C

SF4C

SF2C

SF4B

SF2B

BSF4-AH80

DIMENSIONS (Unit: mm in)

The CAD data in the dimensions can be downloaded from our website.

SF2B-□ SF2B-□SL

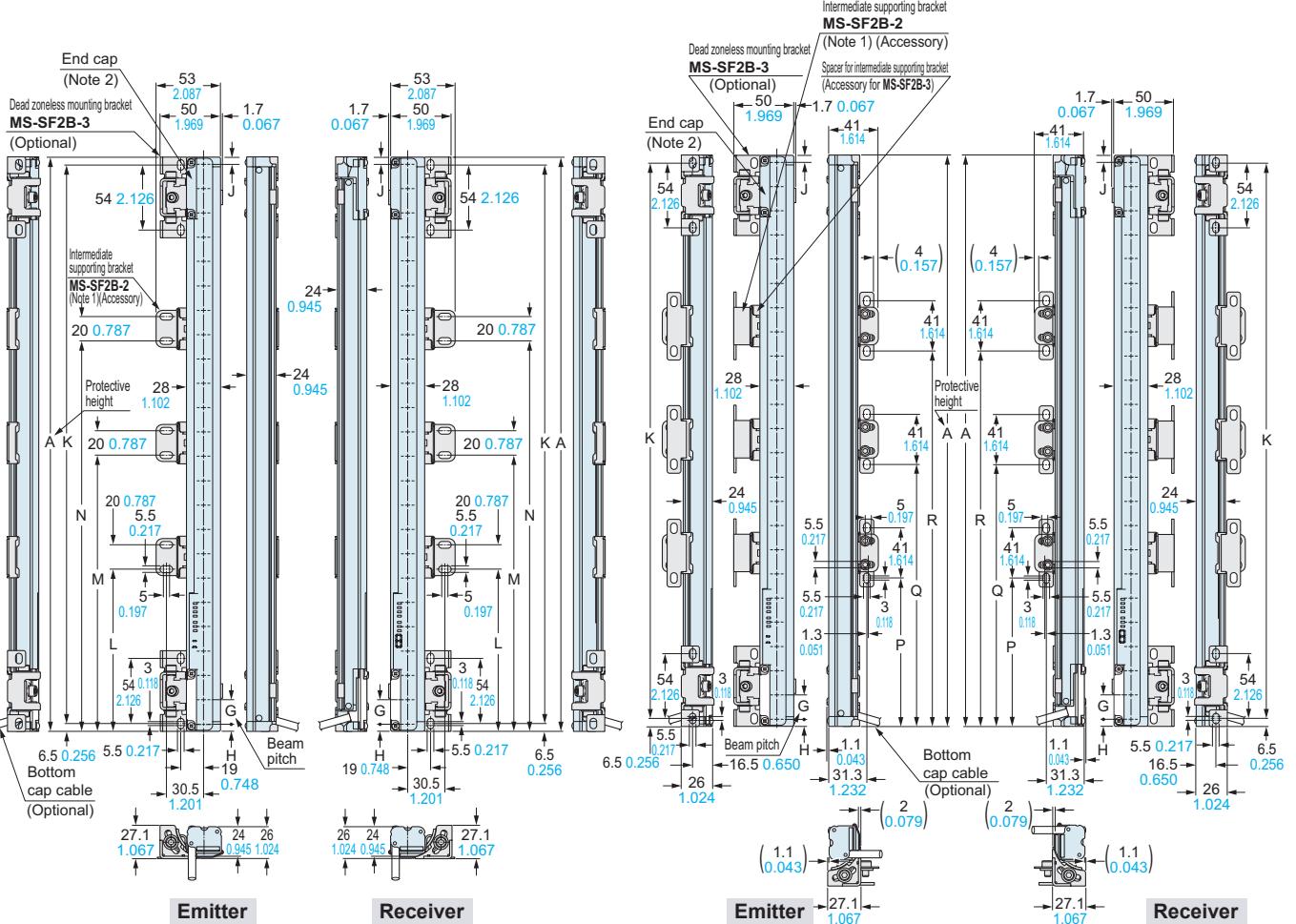
Light curtain, Sub-sensor for series connection only

Assembly dimensions

Mounting drawing for the light curtains using the dead zoneless mounting brackets **MS-SF2B-3** (optional) and the intermediate supporting brackets **MS-SF2B-2** (accessory for light curtain).

<Rear mounting>

<Side mounting>



Notes: 1) The **MS-SF2B-2** intermediate supporting bracket is provided as an accessory with this product. The number of accessories provided varies depending on the product.
 2) An end cap (connector for series connection) is not provided for the **SF2B-H8(SL)(-□)** and **SF2B-A4(SL)(-□)**.

| Model No. | | A | K | L | M | N | P | Q | R |
|------------------|------------------|--------------|--------------|------------|--------------|--------------|--------------|----------------|----------------|
| SF2B-H8(SL)(-□) | SF2B-A4(SL)(-□) | 168 6.614 | 155 6.102 | — | — | — | — | — | — |
| SF2B-H12(SL)(-□) | SF2B-A6(SL)(-□) | 232 9.134 | 219 8.622 | — | — | — | — | — | — |
| SF2B-H16(SL)(-□) | SF2B-A8(SL)(-□) | 312 12.283 | 299 11.772 | — | — | — | — | — | — |
| SF2B-H20(SL)(-□) | SF2B-A10(SL)(-□) | 392 15.433 | 379 14.921 | — | — | — | — | — | — |
| SF2B-H24(SL)(-□) | SF2B-A12(SL)(-□) | 472 18.583 | 459 18.071 | — | — | — | — | — | — |
| SF2B-H28(SL)(-□) | SF2B-A14(SL)(-□) | 552 21.732 | 539 21.221 | — | — | — | — | — | — |
| SF2B-H32(SL)(-□) | SF2B-A16(SL)(-□) | 632 24.882 | 619 24.370 | — | — | — | — | — | — |
| SF2B-H36(SL)(-□) | SF2B-A18(SL)(-□) | 712 28.031 | 699 27.520 | — | — | — | — | — | — |
| SF2B-H40(SL)(-□) | SF2B-A20(SL)(-□) | 792 31.181 | 779 30.669 | 390 15.354 | — | — | 379.5 14.941 | — | — |
| SF2B-H48(SL)(-□) | SF2B-A24(SL)(-□) | 952 37.480 | 939 36.969 | 470 18.504 | — | — | 459.5 18.091 | — | — |
| SF2B-H56(SL)(-□) | SF2B-A28(SL)(-□) | 1,112 43.779 | 1,099 43.268 | 550 21.654 | — | — | 539.5 21.240 | — | — |
| SF2B-H64(SL)(-□) | SF2B-A32(SL)(-□) | 1,272 50.079 | 1,259 49.567 | 418 16.457 | 842 33.150 | — | 407.5 16.043 | 831.5 32.736 | — |
| SF2B-H72(SL)(-□) | SF2B-A36(SL)(-□) | 1,432 56.378 | 1,419 55.866 | 472 18.583 | 948 37.323 | — | 461.5 18.169 | 937.5 36.909 | — |
| SF2B-H80(SL)(-□) | SF2B-A40(SL)(-□) | 1,592 62.677 | 1,579 62.165 | 525 20.669 | 1,055 41.535 | — | 514.5 20.256 | 1,044.5 41.122 | — |
| SF2B-H88(SL)(-□) | SF2B-A44(SL)(-□) | 1,752 68.976 | 1,739 68.465 | 433 17.047 | 870 34.252 | 1,308 51.496 | 422.5 16.634 | 869.5 33.839 | 1,297.5 51.083 |
| SF2B-H96(SL)(-□) | SF2B-A48(SL)(-□) | 1,912 75.275 | 1,899 74.764 | 473 18.622 | 950 37.402 | 1,428 56.220 | 462.5 18.209 | 939.5 33.839 | 1,417.5 55.807 |

| Model No. | G | H | J (Note) |
|-----------|----------|----------|----------|
| SF2B-H□ | 20 0.787 | 6 0.236 | 6 0.236 |
| SF2B-A□ | 40 1.575 | 26 1.024 | 6 0.236 |

Note: The distance between the tip of the light curtain and the last beam axis of the **SF2B-H8(SL)(-□)** and **SF2B-A4(SL)(-□)** is 22 mm 0.866 in.

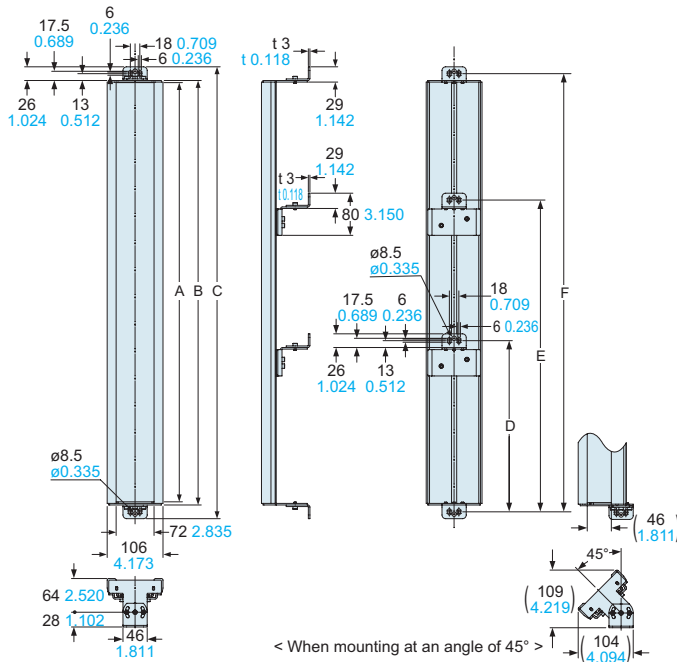
- FIBER SENSORS
- LASER SENSORS
- PHOTO-ELECTRIC SENSORS
- MICRO PHOTO-ELECTRIC SENSORS
- AREA SENSORS
- LIGHT CURTAINS SAFETY COMPONENTS
- PRESSURE / FLOW SENSORS
- INDUCTIVE PROXIMITY SENSORS
- PARTICULAR USE SENSORS
- SENSOR OPTIONS
- SIMPLE WIRE-SAVING UNITS
- WIRE-SAVING SYSTEMS
- MEASUREMENT SENSORS
- STATIC ELECTRICITY PREVENTION DEVICES
- LASER MARKERS
- PLC
- HUMAN MACHINE INTERFACES
- ENERGY CONSUMPTION VISUALIZATION COMPONENTS
- FA COMPONENTS
- MACHINE VISION SYSTEMS
- UV CURING SYSTEMS

DIMENSIONS (Unit: mm in)

The CAD data in the dimensions can be downloaded from our website.

RF-SFBH-□

Corner mirror (Optional)



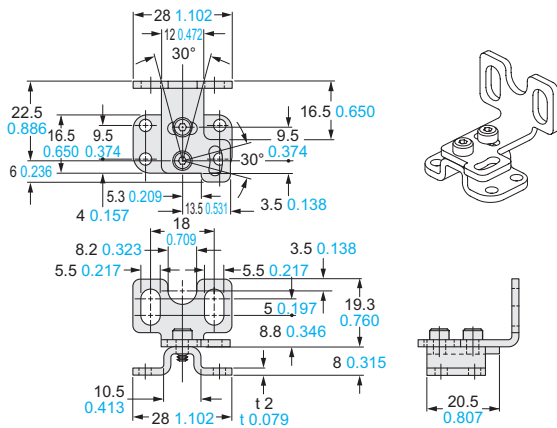
| Model No. | A | B | C | D | E | F | Net weight |
|-------------------|-----------------|-----------------|-----------------|----------|----------------|-----------------|-----------------|
| RF-SFBH-8 | 173 6.811 | 183 7.205 | 235 9.252 | — | — | 209 8.228 | 810 g approx. |
| RF-SFBH-12 | 236 9.291 | 246 9.685 | 298 11.732 | — | — | 272 10.709 | 970 g approx. |
| RF-SFBH-16 | 316 12.441 | 326 12.835 | 378 14.882 | — | — | 352 13.858 | 1,170 g approx. |
| RF-SFBH-20 | 396 15.591 | 406 15.984 | 458 18.031 | — | — | 432 17.008 | 1,370 g approx. |
| RF-SFBH-24 | 476 18.740 | 486 19.134 | 538 21.181 | — | — | 512 20.157 | 1,570 g approx. |
| RF-SFBH-28 | 556 21.890 | 566 22.283 | 618 24.331 | — | — | 592 23.307 | 1,770 g approx. |
| RF-SFBH-32 | 636 25.039 | 646 25.433 | 698 27.480 | — | — | 672 26.472 | 1,970 g approx. |
| RF-SFBH-36 | 716 28.189 | 726 28.583 | 778 30.630 | — | — | 752 29.606 | 2,170 g approx. |
| RF-SFBH-40 | 796 31.339 | 806 31.732 | 858 33.779 | 458 ± 50 | — | 832 32.756 | 2,660 g approx. |
| RF-SFBH-48 | 956 37.638 | 966 38.031 | 1,018 40.079 | 538 ± 50 | — | 992 39.055 | 3,060 g approx. |
| RF-SFBH-56 | 1,116 43.937 | 1,126 44.331 | 1,178 46.378 | 618 ± 50 | — | 1,152 45.354 | 3,460 g approx. |
| RF-SFBH-64 | 1,276 50.236 | 1,286 50.630 | 1,338 52.677 | 698 ± 50 | — | 1,312 51.653 | 3,890 g approx. |
| RF-SFBH-72 | 1,436 56.353 | 1,446 56.929 | 1,498 58.976 | 538 ± 50 | 21.181 ± 1.969 | 1,472 57.953 | 4,550 g approx. |
| RF-SFBH-80 | 1,596 62.835 | 1,606 63.228 | 1,658 65.275 | 591 ± 50 | 1,125 ± 50 | 1,632 64.252 | 4,950 g approx. |
| RF-SFBH-88 | 1,756 69.134 | 1,766 69.527 | 1,818 71.575 | 645 ± 50 | 1,231 ± 50 | 1,792 70.551 | 5,350 g approx. |
| RF-SFBH-96 | 1,916 75.433 | 1,926 75.827 | 1,978 77.874 | 698 ± 50 | 1,338 ± 50 | 1,952 76.850 | 5,750 g approx. |

MS-SF2B-1

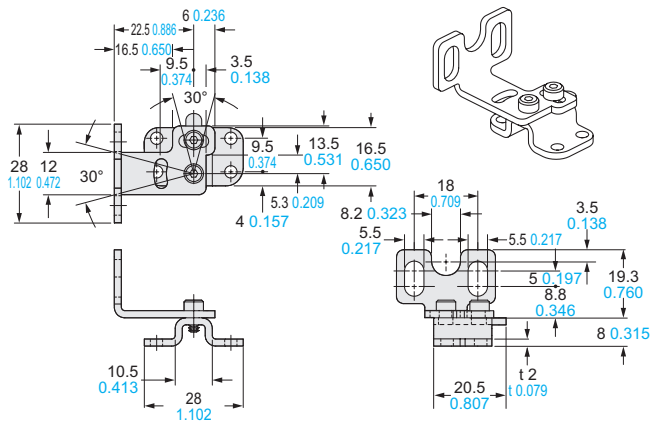
Standard mounting bracket (Optional)

<MS-SF2B-1(R)>

Rear mounting

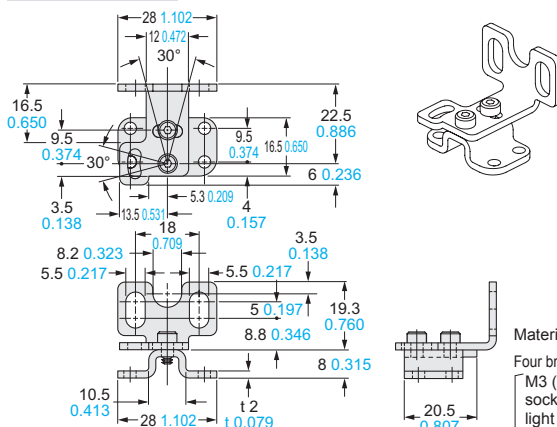


Side mounting

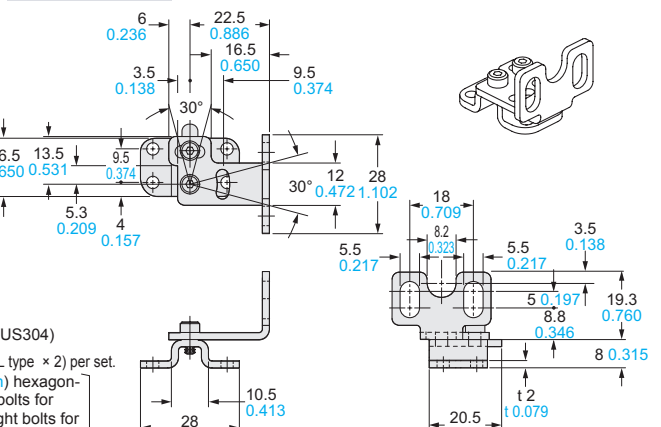


<MS-SF2B-1(L)>

Rear mounting



Side mounting



Material: Stainless steel (SUS304)
Four brackets (R type × 2 and L type × 2) per set.
M3 (length 5 mm 0.197 in) hexagon-socket-head bolts (eight bolts for light curtain mounting, eight bolts for beam axis alignment) are attached.

FIBER SENSORS

LASER SENSORS

PHOTO-ELECTRIC SENSORS

MICRO PHOTO-ELECTRIC SENSORS

AREA SENSORS

LIGHT CURTAINS / SAFETY COMPONENTS

PRESSURE / FLOW SENSORS

INDUCTIVE PROXIMITY SENSORS

PARTICULAR USE SENSORS

SENSOR OPTIONS

SIMPLE WIRE-SAVING UNITS

WIRE-SAVING SYSTEMS

MEASUREMENT SENSORS

STATIC ELECTRICITY PREVENTION DEVICES

LASER MARKERS

PLC

HUMAN MACHINE INTERFACES

ENERGY CONSUMPTION VISUALIZATION COMPONENTS

FA COMPONENTS

MACHINE VISION SYSTEMS

UV CURING SYSTEMS

Selection Guide

Light Curtains

Safety Components

Optical Touch Switch

Control Units

Definition of Sensing Heights

SF4B-C

SF4C

SF2C

SF4B

SF2B

BSF4-AH80

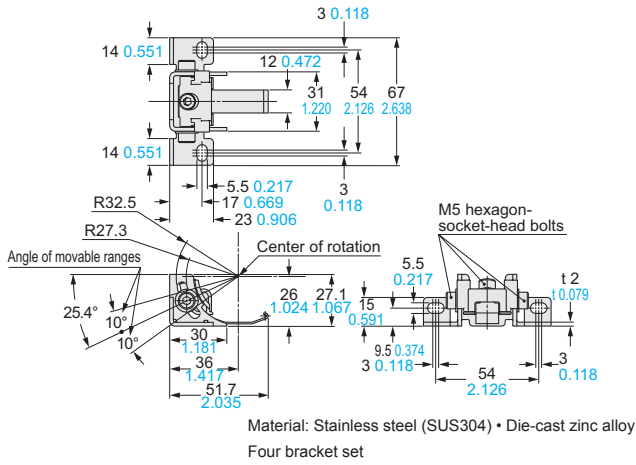
DIMENSIONS (Unit: mm in)

The CAD data in the dimensions can be downloaded from our website.

MS-SF2B-3

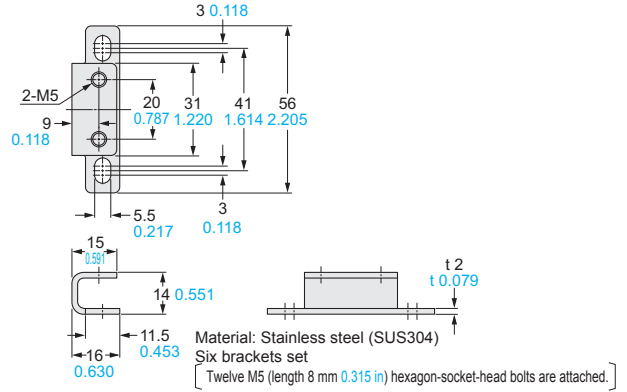
Dead zoneless mounting bracket (optional)

Main body

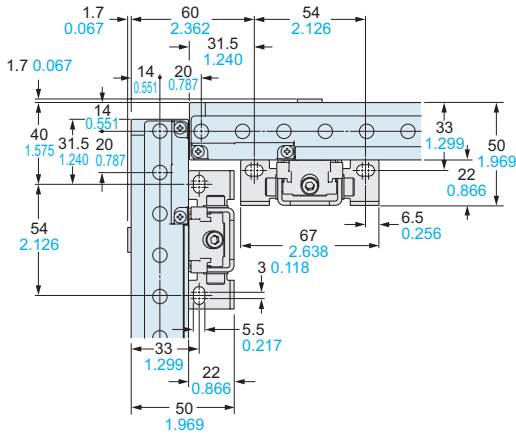


Spacer for intermediate supporting bracket (Accessory)

The spacer for intermediate supporting bracket **MS-SF2B-2** can be used as a spacer for eliminating the dead zone when mounting the light curtain laterally.

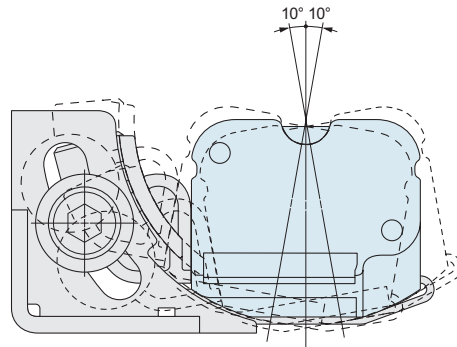


L-shaped mounting



Mounting adjustment range

The adjustment range of the light curtain angle is up to ± 10 degrees.

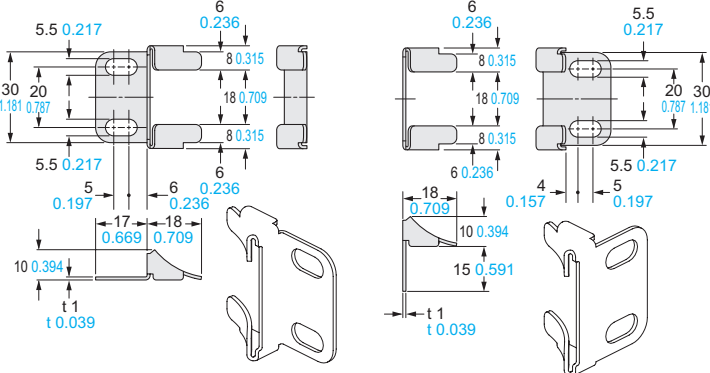


MS-SF2B-2

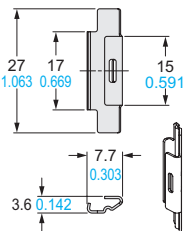
Intermediate supporting bracket (Accessory for light curtain)

<Rear mounting>

<Side mounting>



<For main unit mounting>



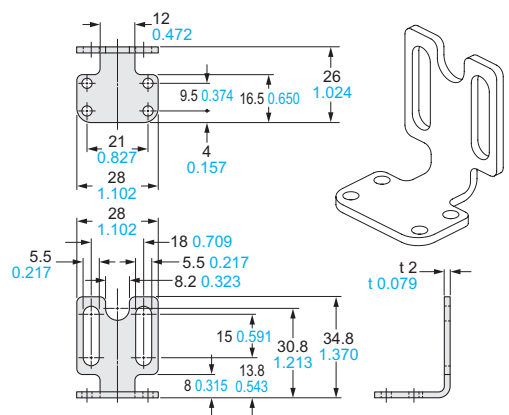
Material: Stainless steel (SUS304)
Two main unit mounting brackets per set (for rear mounting and side mounting) (Note)

Note: The intermediate supporting bracket **MS-SF2B-2** is enclosed with the following products. The quantity differs depending on the product as shown below:

- 1 set: **SF2B-H** □ □ □ Light curtain with 40 to 56 beam channels
- SF2B-A** □ □ □ Light curtain with 20 to 28 beam channels
- 2 sets: **SF2B-H** □ □ □ Light curtain with 64 to 80 beam channels
- SF2B-A** □ □ □ Light curtain with 32 to 40 beam channels
- 3 sets: **SF2B-H** □ □ □ Light curtain with 88 to 96 beam channels
- SF2B-A** □ □ □ Light curtain with 44 to 48 beam channels

MS-SF2B-4

Adapter mounting bracket for SF1-N / NA40 (Optional)



Material: Stainless steel (SUS304)

Four bracket set
Eight M3 (length 5 mm 0.197 in) hexagon-socket-head bolts are attached.

- FIBER SENSORS
- LASER SENSORS
- PHOTO-ELECTRIC SENSORS
- MICRO PHOTO-ELECTRIC SENSORS
- AREA SENSORS
- LIGHT CURTAINS / SAFETY COMPONENTS
- PRESSURE / FLOW SENSORS
- INDUCTIVE PROXIMITY SENSORS
- PARTICULAR USE SENSORS
- SENSOR OPTIONS
- SIMPLE WIRE-SAVING UNITS
- WIRE-SAVING SYSTEMS
- MEASUREMENT SENSORS
- STATIC ELECTRICITY PREVENTION DEVICES
- LASER MARKERS
- PLC
- HUMAN MACHINE INTERFACES
- ENERGY CONSUMPTION VISUALIZATION COMPONENTS
- FA COMPONENTS
- MACHINE VISION SYSTEMS
- UV CURING SYSTEMS
- Selection Guide
- Light Curtains
- Safety Components
- Optical Touch Switch
- Control Units
- Definition of Sensing Heights
- SF4B-C
- SF4C
- SF2C
- SF4B
- SF2B**
- BSF4-AH80

DIMENSIONS (Unit: mm in)

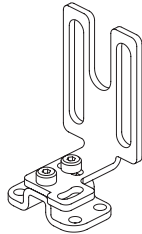
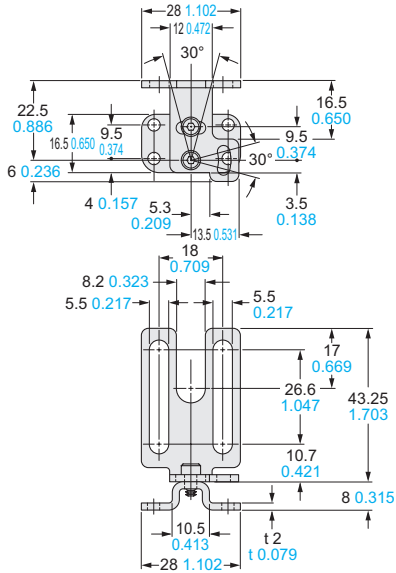
The CAD data in the dimensions can be downloaded from our website.

MS-SF2B-5

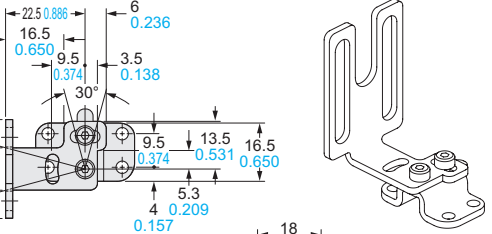
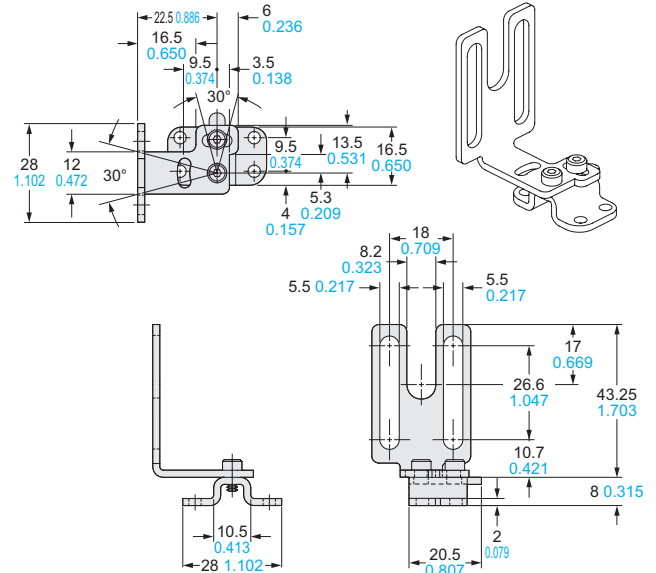
Adapter mounting bracket for SF2-A / SF2-N (Optional)

<MS-SF2B-5(R)>

Rear mounting

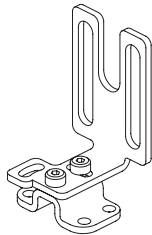
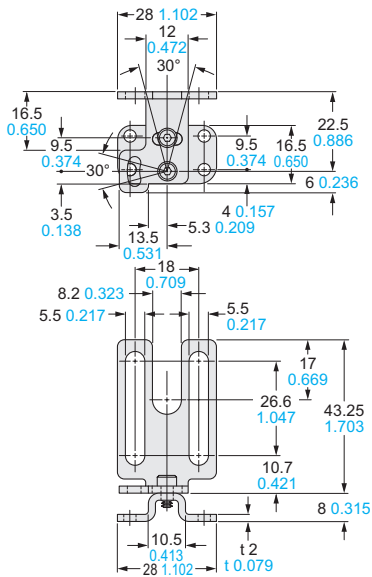


Side mounting

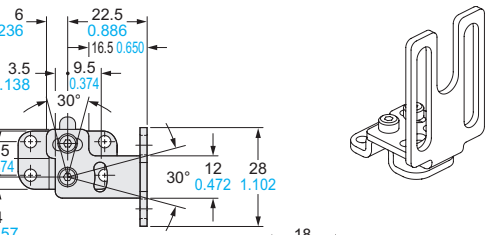
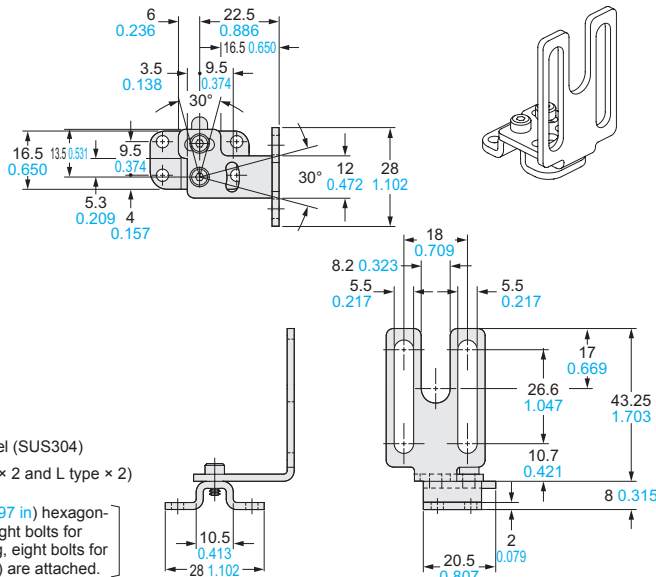


<MS-SF2B-5(L)>

Rear mounting



Side mounting

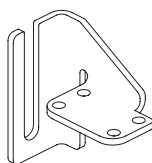
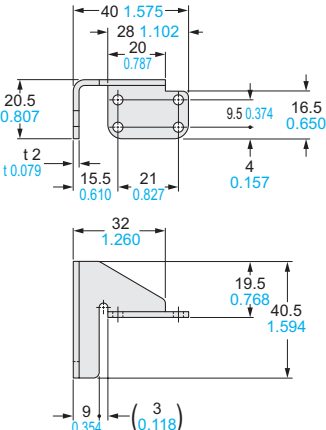


Material: Stainless steel (SUS304)
Four brackets (R type × 2 and L type × 2) per set
M3 (length 5 mm 0.197 in) hexagon-socket-head bolts (eight bolts for light curtain mounting, eight bolts for beam axis alignment) are attached.

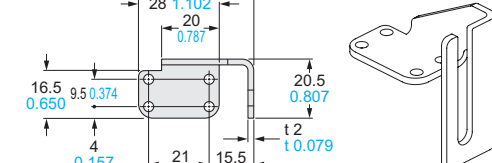
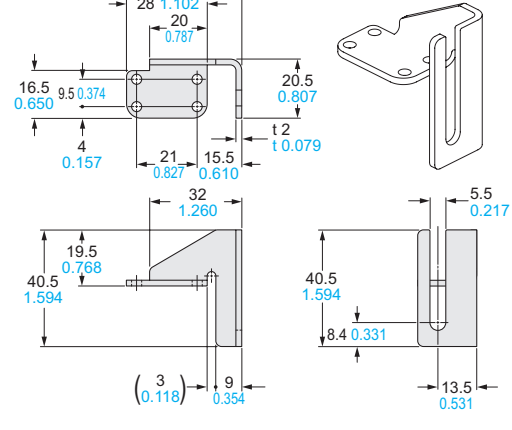
MS-SF2B-6

Adapter mounting bracket for NA40 (Optional)

<MS-SF2B-6(R)>



<MS-SF2B-6(L)>



Material: Stainless steel (SUS304)
Four brackets (R type × 2 and L type × 2) per set
Eight M3 (length 5 mm 0.197 in) hexagon-socket-head bolts are attached.

| |
|---|
| FIBER SENSORS |
| LASER SENSORS |
| PHOTO-ELECTRIC SENSORS |
| MICRO PHOTO-ELECTRIC SENSORS |
| AREA SENSORS |
| LIGHT CURTAINS / SAFETY COMPONENTS |
| PRESSURE / FLOW SENSORS |
| INDUCTIVE PROXIMITY SENSORS |
| PARTICULAR USE SENSORS |
| SENSOR OPTIONS |
| SIMPLE WIRE-SAVING UNITS |
| WIRE-SAVING SYSTEMS |
| MEASUREMENT SENSORS |
| STATIC ELECTRICITY PREVENTION DEVICES |
| LASER MARKERS |
| PLC |
| HUMAN MACHINE INTERFACES |
| ENERGY CONSUMPTION VISUALIZATION COMPONENTS |
| FA COMPONENTS |
| MACHINE VISION SYSTEMS |
| UV CURING SYSTEMS |
| Selection Guide |
| Light Curtains |
| Safety Components |
| Optical Touch Switch |
| Control Units |
| Definition of Sensing Heights |

| |
|-----------|
| SF4B-C |
| SF4C |
| SF2C |
| SF4B |
| SF2B |
| BSF4-AH80 |

DIMENSIONS (Unit: mm in)

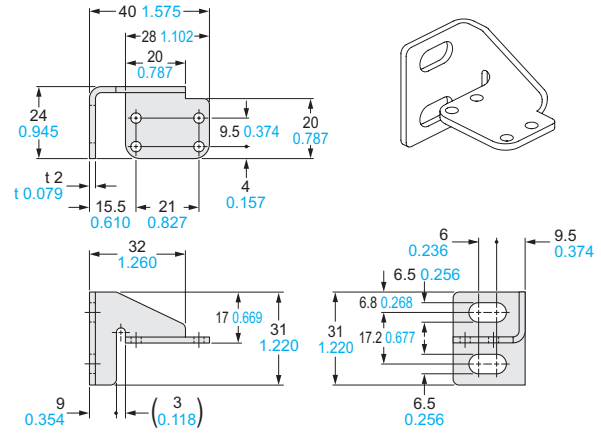
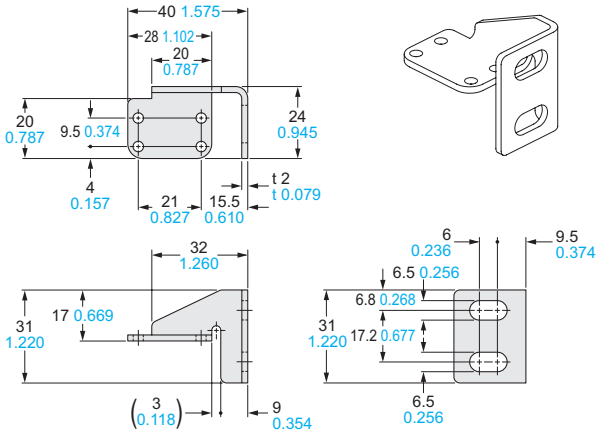
The CAD data in the dimensions can be downloaded from our website.

MS-SF2B-7

Adapter bracket for SF1-N (Optional)

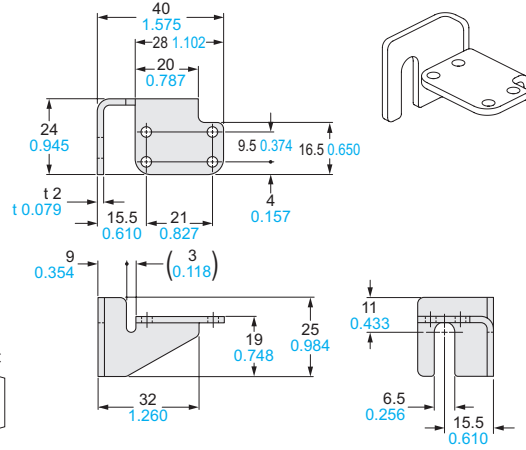
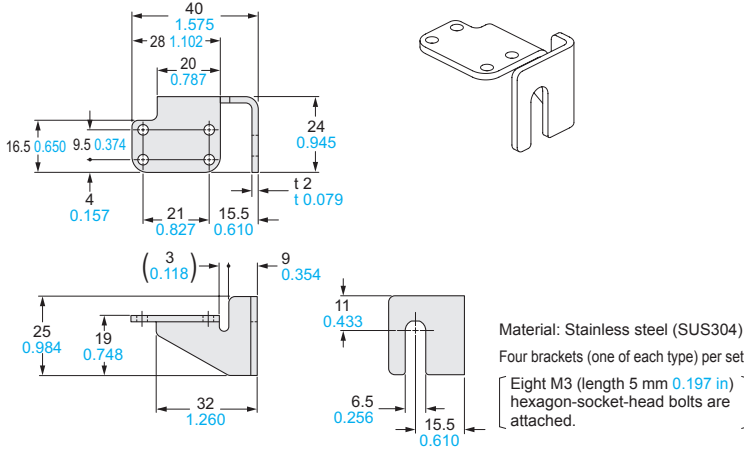
<For upper-right surface mounting>

<For upper-left surface mounting>



<For lower-right surface mounting>

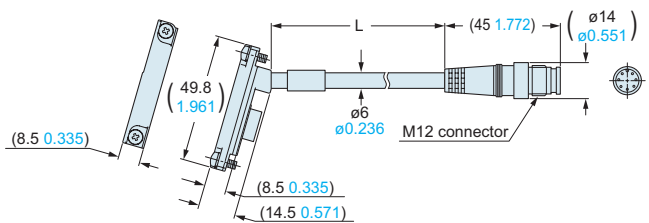
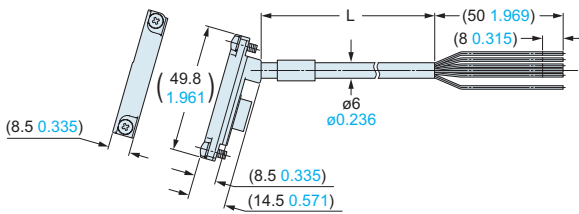
<For lower-left surface mounting>



Material: Stainless steel (SUS304)
Four brackets (one of each type) per set
[Eight M3 (length 5 mm 0.197 in) hexagon-socket-head bolts are attached.]

SF2B-CCB Bottom cap cable (Optional)

SF2B-CB Bottom cap cable (Optional)



| Model No. | L |
|------------|----------------|
| SF2B-CCB3 | 3,000 118.110 |
| SF2B-CCB7 | 7,000 275.590 |
| SF2B-CCB10 | 10,000 393.700 |
| SF2B-CCB15 | 15,000 590.551 |

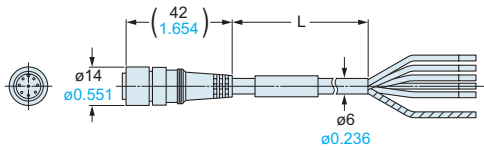
| Model No. | L |
|------------------|----------------|
| SF2B-CB05 (-A/B) | 500 19.685 |
| SF2B-CB5 | 5,000 196.850 |
| SF2B-CB10 | 10,000 393.700 |

- Selection Guide
- Light Curtains
- Safety Components
- Optical Touch Switch
- Control Units
- Definition of Sensing Heights
- SF4B-C
- SF4C
- SF2C
- SF4B
- SF2B
- BSF4-AH80

DIMENSIONS (Unit: mm in)

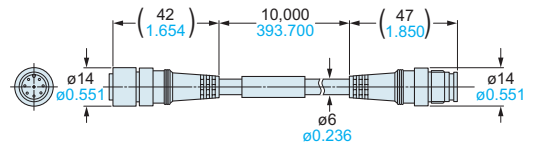
The CAD data in the dimensions can be downloaded from our website.

SFB-CC3 SFB-CC10 Extension cable (Optional)

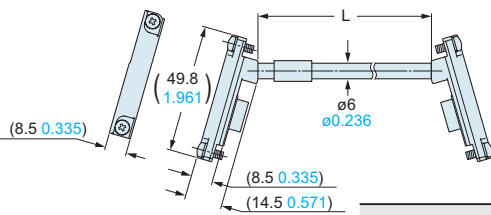


| Model No. | L |
|-----------------|----------------|
| SFB-CC3 | 3,000 118.110 |
| SFB-CC10 | 10,000 393.700 |

SFB-CCJ10E SFB-CCJ10D Extension cable (Optional)

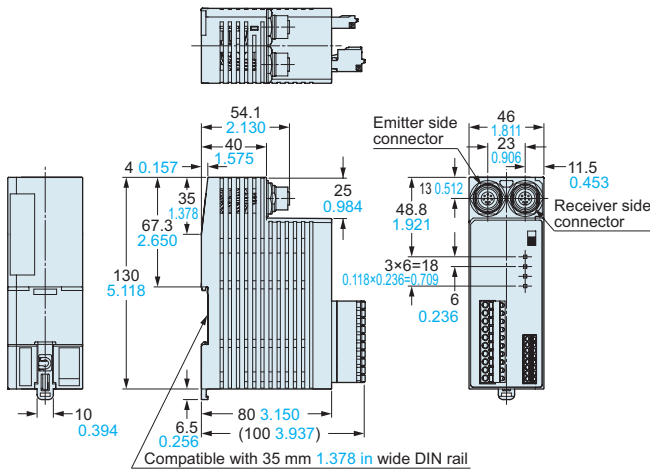


SF2B-CSL01 SF2B-CSL05 Cable for series connection (Optional)

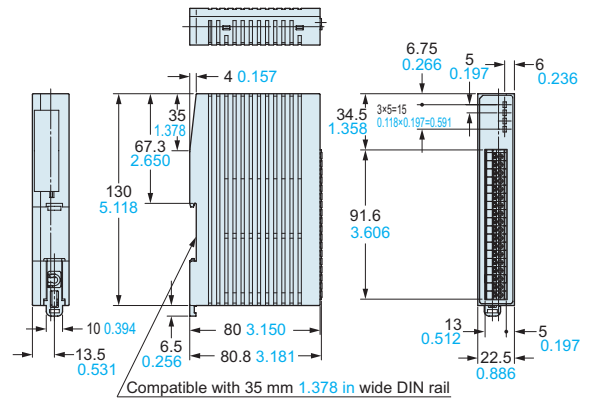


| Model No. | L |
|-------------------|------------|
| SF2B-CSL01 | 100 3.937 |
| SF2B-CSL05 | 500 19.685 |

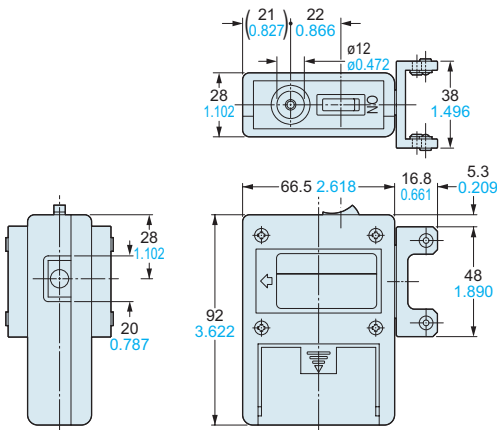
SF-C11 Control unit (Optional)



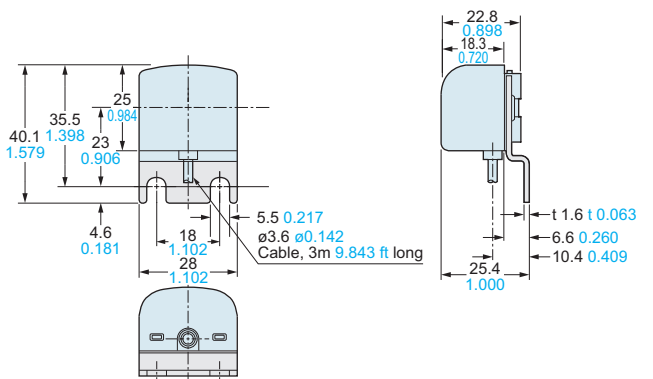
SF-C13 Control unit (Optional)



SF-LAT-2B Laser alignment tool (Optional)



SF-IND-2 Large display unit for light curtain (Optional)



Material: Bracket ... Cold rolled carbon steel (SPCC)(Black chromate)
Enclosure ... POM
Cover ... Polycarbonate

- FIBER SENSORS
- LASER SENSORS
- PHOTO-ELECTRIC SENSORS
- MICRO PHOTO-ELECTRIC SENSORS
- AREA SENSORS
- LIGHT CURTAINS/ SAFETY COMPONENTS
- PRESSURE / FLOW SENSORS
- INDUCTIVE PROXIMITY SENSORS
- PARTICULAR USE SENSORS
- SENSOR OPTIONS
- SMILE WIRE-SAVING UNITS
- WIRE-SAVING SYSTEMS
- MEASUREMENT SENSORS
- STATIC ELECTRICITY PREVENTION DEVICES
- LASER MARKERS
- PLC
- HUMAN MACHINE INTERFACES
- ENERGY CONSUMPTION VISUALIZATION COMPONENTS
- FA COMPONENTS
- MACHINE VISION SYSTEMS
- UV CURING SYSTEMS
- Selection Guide
- Light Curtains
- Safety Components
- Optical Touch Switch
- Control Units
- Definition of Sensing Heights
- SF4B-C**
- SF4C**
- SF2C**
- SF4B**
- SF2B**
- BSF4-AH80