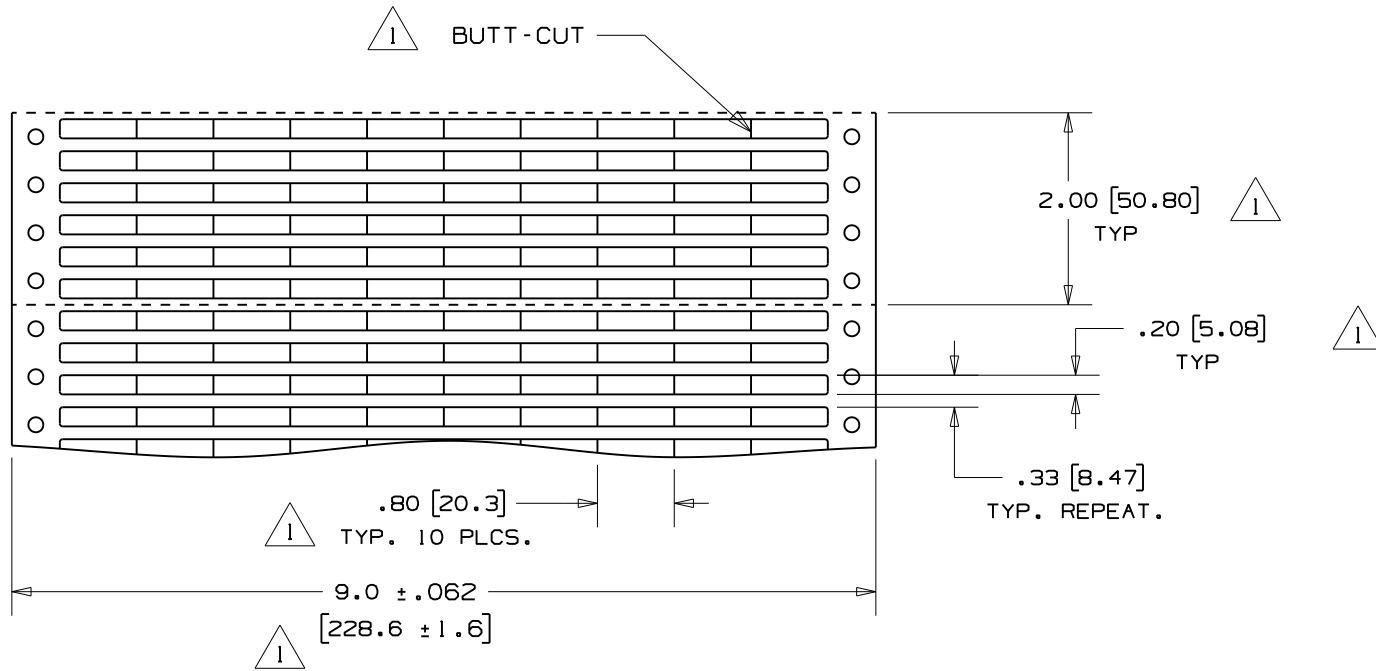


THIS COPY IS PROVIDED ON A RESTRICTED BASIS AND IS NOT TO BE USED IN ANY WAY DETRIMENTAL TO THE INTERESTS OF PANDUIT CORP.



NOTES
1. MILLIMETERS ARE IN ().

PART NUMBER	MATERIAL	MARKER SIZE inches (mm)	LABELS PER ROW	ROWS PER FANFOLD	STANDARD PKG. QTY.
CO80X020YJD	GMY	0.80 (20.3) X 0.20 (5.08)	10	36	5000

CAD FILENAME/LAYERS 100472DB-DC-C10232/01B

PANDUIT CORP. TINLEY PARK, ILLINOIS

CUSTOMER DRAWING
OPTIMUM CO80X020YJD
COMPUTER PRINTABLE LABELS

UNLESS OTHERWISE SPECIFIED,
DIMENSIONAL TOLERANCES ARE:
(.X) ± .12 (.XXX) ± .025
(.XX) ± .062 ANGLES ±

UNLESS OTHERWISE SPECIFIED,
ALL DIMENSIONS ARE GIVEN
IN INCHES, THIRD ANGLE PROJECTION.

1	7/14/10	RVU		REMOVE THE PERF. BETWEEN THE LABELS TO MAKE THIS A "BUTT CUT" DESIGN. UPDATE TOLERANCES AND NOTES.	6087	R				DRAWN BY RVU	MAT'L:	SCALE NTS
0	9-24-04	RVU		DRAWING RELEASE.	0000	R				DATE 9-29-04	SEE TABLE	DRAWING NO. C10232
REV	DATE	BY	CHK	DESCRIPTION	ECN	R	CUST	SUP		CHK'D		DWG SIZE A