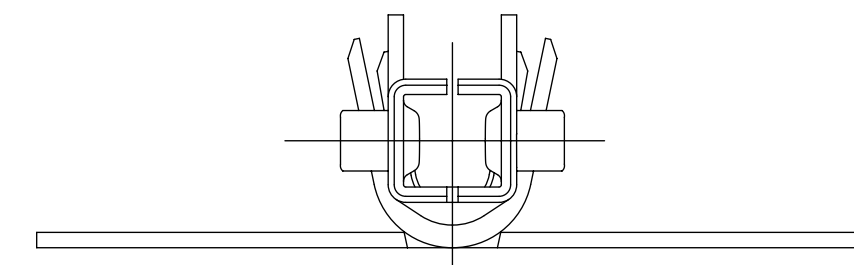


PART LEGEND

172718- * * * *

SERIES	FORM
1 = 16 (Ø1.98-2.55)	1 = CHAIN
2 = 16 (Ø2.55-3.14)	2 = LOOSE
3 = 18-20 (Ø1.42-2.10)	
4 = 18-20 (Ø2.10-2.85)	MATERIAL
5 = 22-24 (Ø1.07-1.65)	1 = PHOS BRONZE
6 = 22-24 (Ø1.65-2.38)	2 = BRASS
	PLATING
	1 = HOT TIN DIP (PRE-PLATE)

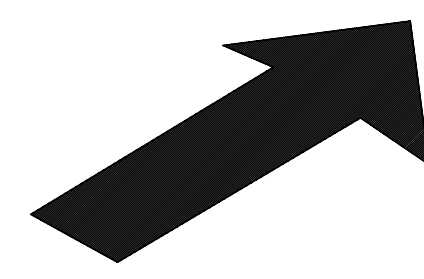


NOTES:

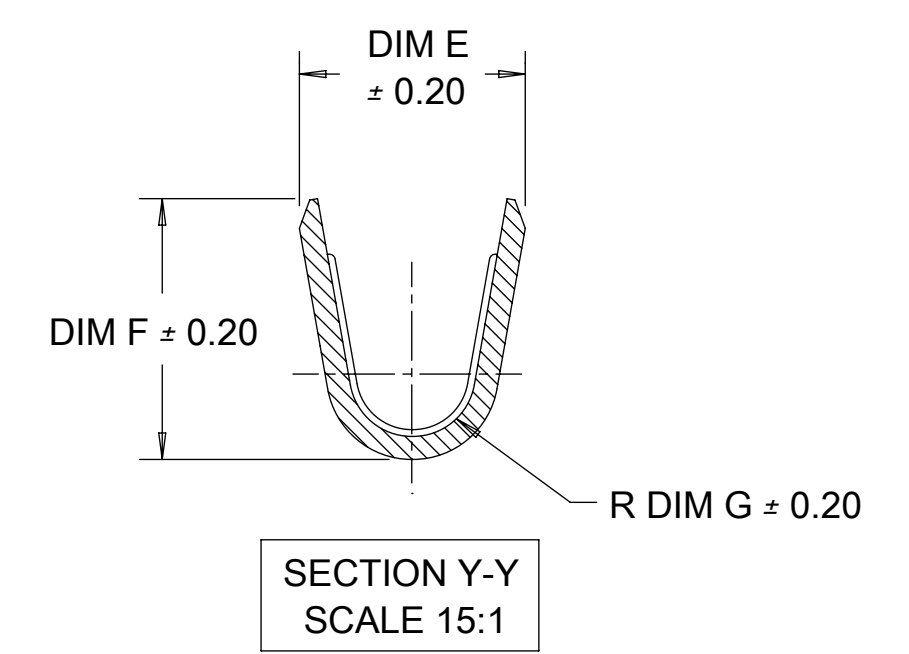
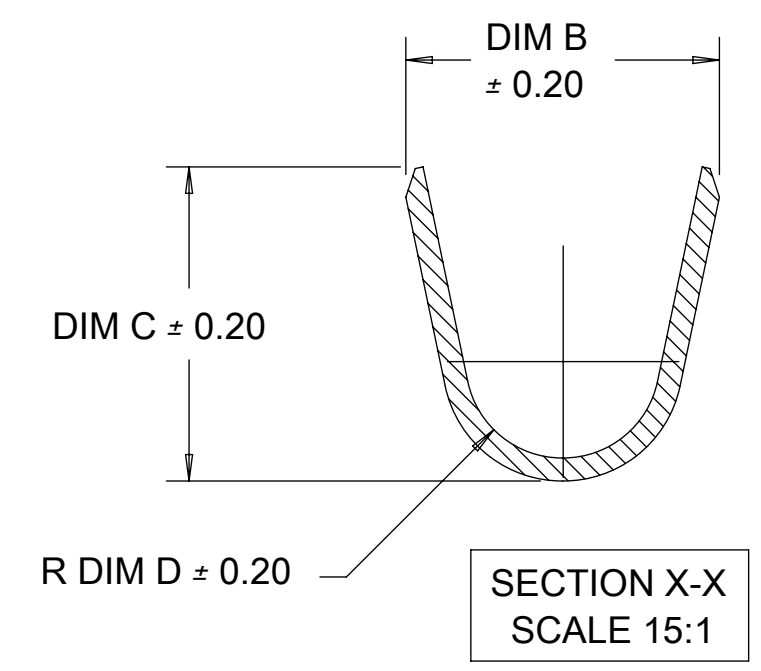
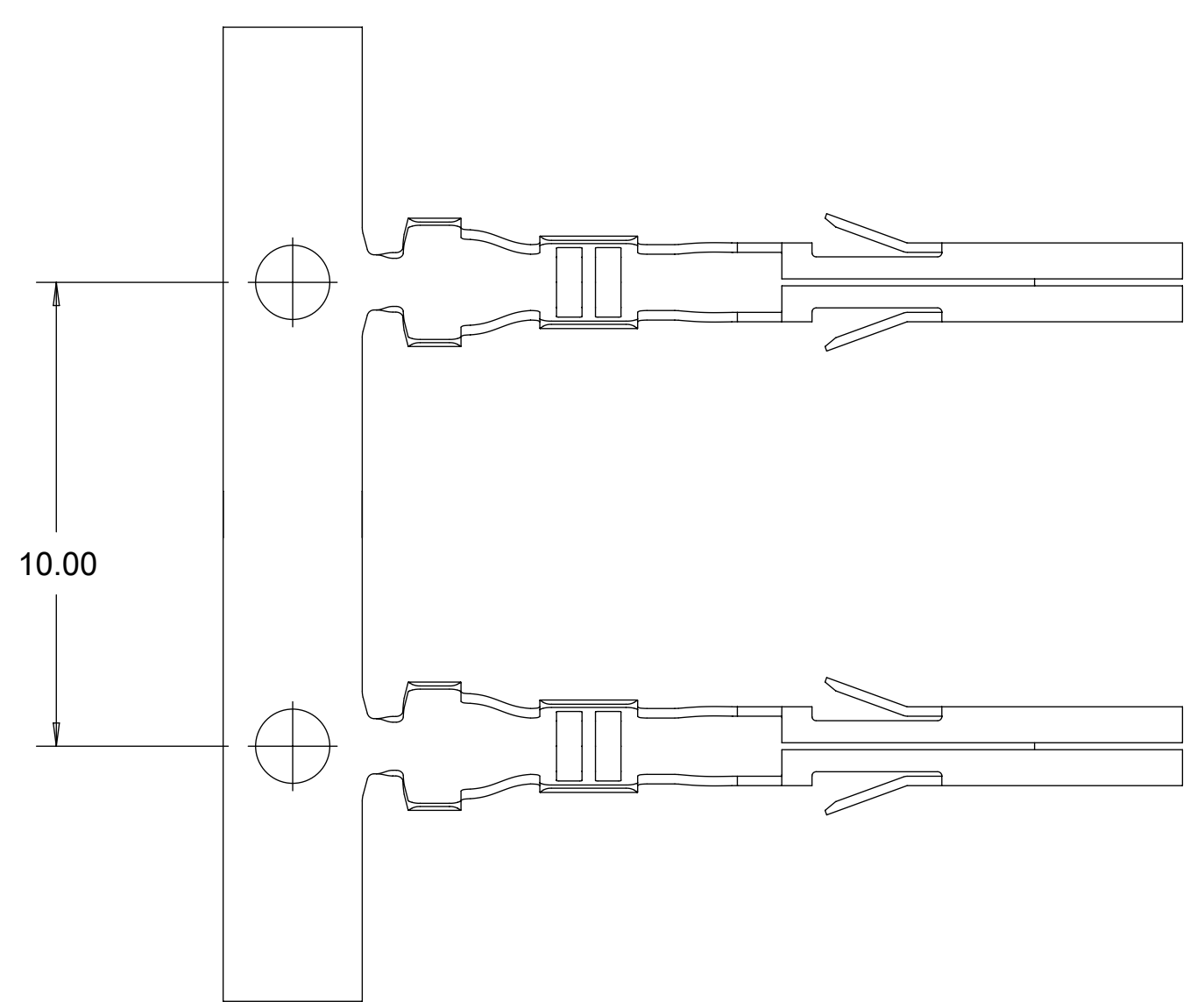
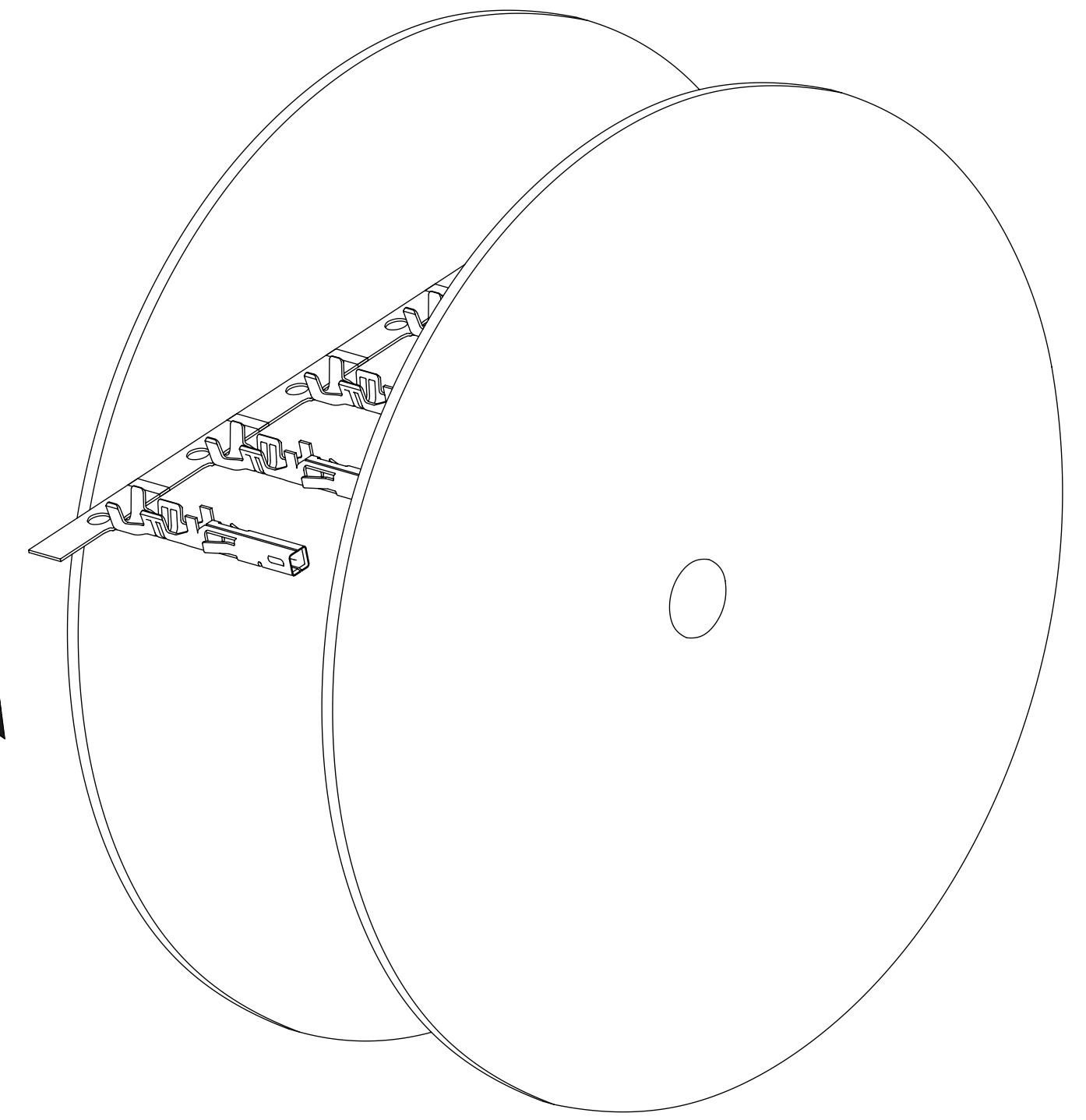
1. MATERIALS:
PHOS BRONZE ALLOY
BRASS ALLOY
2. PRE-PLATED: HOT TIN DIP, OVERALL 2.5 m MIN. TIN.
3. PRODUCT SPECIFICATION: PS-172718-0000
APPLICATION SPECIFICATION: AS-172718-0000
4. THIS TERMINAL TO BE USED WITH HOUSING SERIES 172708.
5. THIS TERMINAL MATES WITH MALE CRIMP TERMINAL SERIES 5558, 46012 & 172765.
6. THIS TERMINAL MATES WITH HEADER SERIES 5566 & 5569.
7. PACKAGING: REELS TO BE PACKED PER PK-172718-0000
LOOSE TERMINALS PER PK-172718-0001.
8. PART CONFORMS TO CLASS 'B' REQUIREMENTS OF COSMETIC SPEC PS-45499-002.
9. WHEN TERMINALS ARE INSTALLED IN THE HOUSING THE WIRE ARE TO BE DRESSED IN SUCH A MANNER TO ALLOW THE TERMINALS TO FLOAT FREELY IN THE HOUSING POCKET.
10. THIS TERMINALS IS DESIGNED FOR SINGLE WIRE CRIMPING.

THIS DRAWING CONTAINS INFORMATION THAT IS PROPRIETARY TO MOLEX INCORPORATED AND SHOULD NOT BE USED WITHOUT WRITTEN PERMISSION											
EC DESCRIPTION EC NO: 108191 DRWN: TREGORI CHKD: REV / APPR: RHODGE	GENERAL TOLERANCES (UNLESS SPECIFIED)		DIMENSION UNITS	SCALE							
	ANGULAR TOL ± °		MM	10:1							
	4 PLACES ±	DRWN BY		DATE	CRIMP TERMINAL RECEPTACLE MINI-FIT TPA2						
	3 PLACES ±	TREGORI		2014/09/09							
	2 PLACES ± 0.10	CHKD BY		DATE	PRODUCT CUSTOMER DRAWING						
1 PLACE ± 0.2	RHODGE		2014/12/04								
0 PLACES ±	DRAFT WHERE APPLICABLE MUST REMAIN WITHIN DIMENSIONS		DRAWING SIZE	THIRD ANGLE PROJECTION	SERIES	MATERIAL NUMBER	CUSTOMER				
D3	C				172718	SEE TABLE SHEET 2	GENERAL MARKET				
					DOCUMENT NUMBER	DOC TYPE	DOC PART	SHEET NUMBER			
					SD-172718-0000	PSD	000	1 OF 2			

	MOLEX PART NUMBER	BASE MAT'L	WIRE AWG	WIRE OD RANGE	DIM B	DIM C	DIM D	DIM E	DIM F	DIM G
CHAIN	172718-1111	PHOS BRONZE	16	1.98-2.55	3.27	3.43	1.00	2.35	2.90	0.70
	172718-2111			2.55-3.14	3.74	3.66	1.43			
	172718-3111		18-20	1.42-2.10	2.77	2.77	0.85	2.00	2.30	0.55
	172718-4111			2.10-2.85	3.36	3.37	1.25			
	172718-5111		22-24	1.07-1.65	2.33	2.27	0.70	1.68	1.65	0.40
	172718-6111			1.65-2.38	3.14	3.09	1.00			
G	172718-1121	BRASS	16	1.98-2.55	3.27	3.43	1.00	2.35	2.90	0.70
	172718-2121			2.55-3.14	3.74	3.66	1.43			
	172718-3121		18-20	1.42-2.10	2.77	2.77	0.85	2.00	2.30	0.55
	172718-4121			2.10-2.85	3.36	3.37	1.25			
	172718-5121		22-24	1.07-1.65	2.33	2.27	0.70	1.68	1.65	0.40
	172718-6121			1.65-2.38	3.14	3.09	1.00			
F	172718-1112	PHOS BRONZE	16	1.98-2.55	3.27	3.43	1.00	2.35	2.90	0.70
	172718-2112			2.55-3.14	3.74	3.66	1.43			
	172718-3112		18-20	1.42-2.10	2.77	2.77	0.85	2.00	2.30	0.55
	172718-4112			2.10-2.85	3.36	3.37	1.25			
	172718-5112		22-24	1.07-1.65	2.33	2.27	0.70	1.68	1.65	0.40
	172718-6112			1.65-2.38	3.14	3.09	1.00			
E	172718-1122	BRASS	16	1.98-2.55	3.27	3.43	1.00	2.35	2.90	0.70
	172718-2122			2.55-3.14	3.74	3.66	1.43			
	172718-3122		18-20	1.42-2.10	2.77	2.77	0.85	2.00	2.30	0.55
	172718-4122			2.10-2.85	3.36	3.37	1.25			
	172718-5122		22-24	1.07-1.65	2.33	2.27	0.70	1.68	1.65	0.40
	172718-6122			1.65-2.38	3.14	3.09	1.00			



REELING DIRECTION



THIS DRAWING CONTAINS INFORMATION THAT IS PROPRIETARY TO MOLEX INCORPORATED AND SHOULD NOT BE USED WITHOUT WRITTEN PERMISSION											
EC DESCRIPTION EC NO: 108191 DRWN: TREGORI CHKD: RHODGE APP: RHODGE	GENERAL TOLERANCES (UNLESS SPECIFIED)				DIMENSION UNITS	SCALE					
	ANGULAR TOL ± °				MM	7:1					
	4 PLACES ±		3 PLACES ±		DRWN BY	DATE	CRIMP TERMINAL RECEPTACLE MINI-FIT TPA2				
	2 PLACES ± 0.10		1 PLACE ± 0.2		TREGORI	2014/09/09					
	0 PLACES ±		DRAFT WHERE APPLICABLE MUST REMAIN WITHIN DIMENSIONS		CHKD BY	DATE	PRODUCT CUSTOMER DRAWING				
				RHODGE	2014/12/04						
D3		C		APPR BY	DATE	SERIES	MATERIAL NUMBER	CUSTOMER			
				THIRD ANGLE PROJECTION		172718	SEE TABLE	GENERAL MARKET			
				DRAWING SIZE		DOCUMENT NUMBER		DOC TYPE	DOC PART	SHEET NUMBER	
				C		SD-172718-0000		PSD	000	2 OF 2	