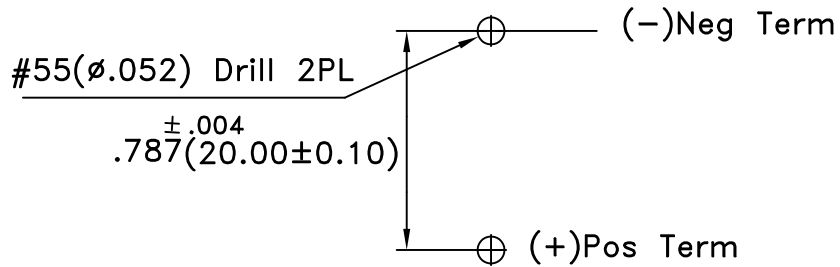
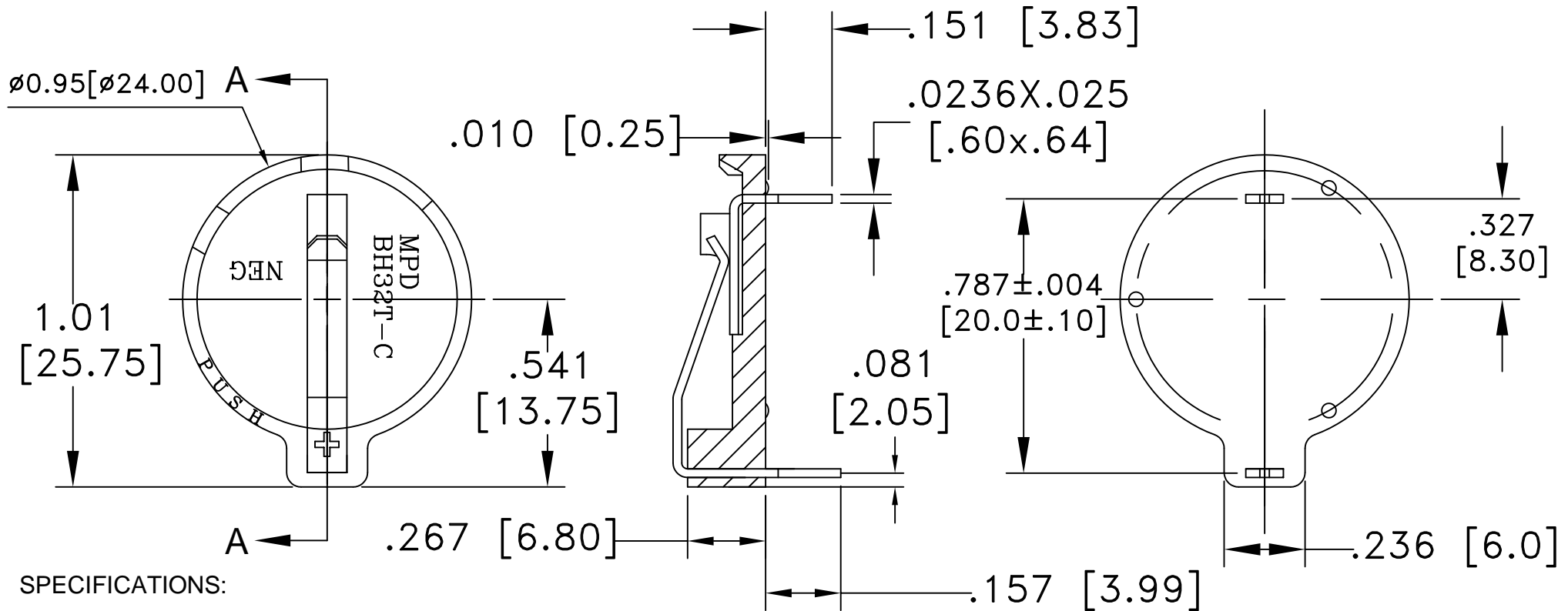


PCB LAYOUT




Date	SYM	REVISION RECORD	AUTH	DR.	CK.



SPECIFICATIONS:

Holder Material: Black PBT  
 Flammability rating: UL94V-0, UL File No. E53829  
 Contacts:  
 Positive: 0.0236" Thick PHOS-BRONZE, Gold Flash Over Nickel Plate  
 Negative: Spring Tempered Stainless Steel, Gold Flash Over Nickel Plate  
 Temperature Range: -40°C to +140°C  
 ROHS COMPLIANT

Tolerance (Except as noted)	 Memory protection Devices, Inc 200 Broad Hollow Road, Farmingdale, New York 11735		
decimal ±.5 (.020)	Scale	Drawn By B.S.	
Fractional ± .8 (.030)	Title CR2032 OR BR2032 BATTERY		
Angular ± 3°	Date 3/06/09	Drawing Number BH32T-C-G	
Approved By T.B.			