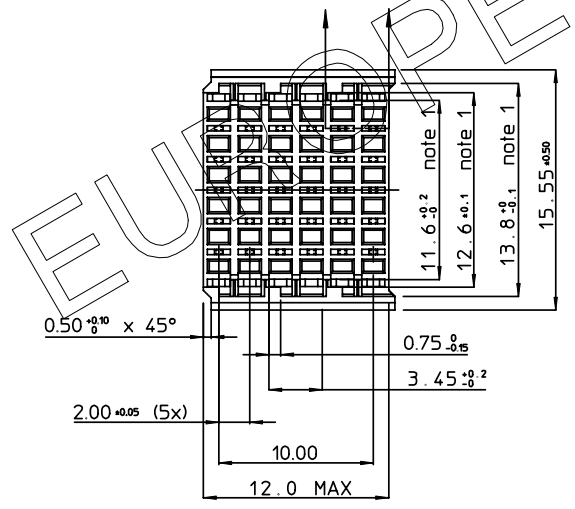
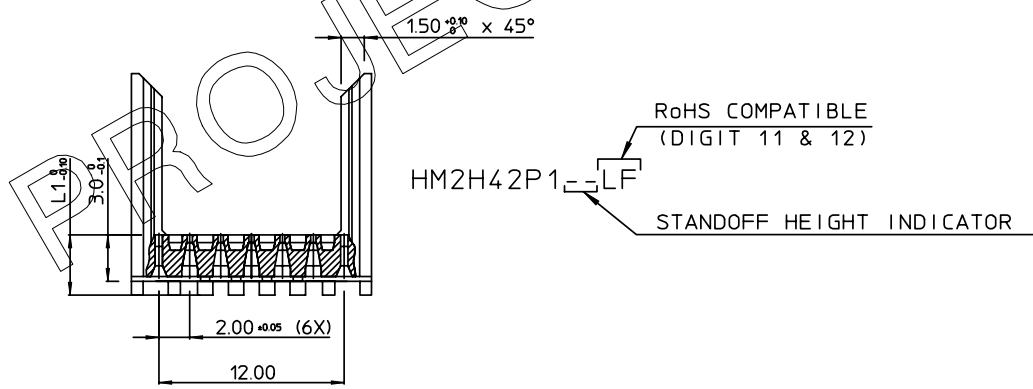
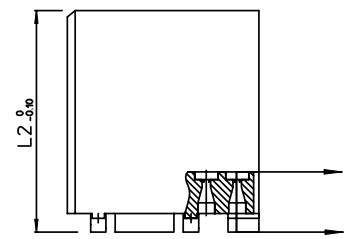
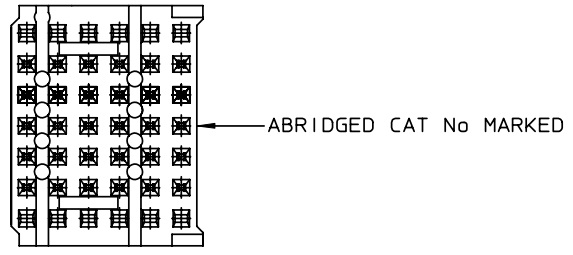



REV.	DATE	DESCRIPTION	BY	C'K'D'
A	2001-09-14	CONVERSION REVISION 04	KN	
B	2005-11-22	105-0241	ALEX B	BKP
C	2006-07-04	106-0096	VIVEK	BKP

NOTES:

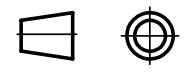
1. MEASURED AT THE BOTTOM
2. MATERIAL: GLASSREINFORCED POLYESTER UL94 - V0
3. THE "LF" PRODUCT MEETS EUROPEAN UNION DIRECTIVES AND OTHER COUNTRY REGULATIONS AS DESCRIBED IN GS-22-008.
4. PARTS WITH AND WITHOUT SUFFIX LF TO THE PRODUCT PART NUMBER ARE IDENTICAL IN FORM, FIT AND FUNCTION. LF SUFFIX IS ADDED TO THE PART NUMBER OF THIS PRODUCT TO HAVE UNIFORM IDENTIFICATION OF ALL RoHS COMPATIBLE PRODUCTS.



PART NUMBER	L1	L2	
HM2H42P1LF	3.0	13.45	AVAILABLE
HM2H42P109LF	3.9	14.35	AVAILABLE
HM2H42P115LF	4.5	14.95	AVAILABLE
HM2H42P117LF	4.7	15.15	AVAILABLE
HM2H42P119LF	4.9	15.35	AVAILABLE
HM2H42P122LF	5.2	15.65	AVAILABLE
HM2H42P130LF	6.0	16.45	AVAILABLE

1DEC ±0.2 2DEC ±0.1 ANGLES ±1°	APPR.	DATE	SIGN.	HM2 HEADER WITH PRESS-FIT CAVITIES (30 POS)	
	DRAFT	1996-04-11	W.Panis	CAT. No. HM2H42P1--LF	
WE RESERVE THE RIGHT TO CHANGE DIMENSIONS OR REQUIREMENTS WITHOUT PRIOR NOTICE.	CHECKED			 www.fciconnect.com	
ALL DIMENSIONS IN MM	PROD. MGR.				SCALE
	PR. ENG. MGR.				
	PR. MGT. MGR.				

REFERENCES



THIS IS OUR EXCLUSIVE PROPERTY. IT IS NOT TO BE COPIED, REPRINTED OR DISCLOSED TO A THIRD PARTY. NOR USED FOR MANUFACTURING WITHOUT OUR WRITTEN CONSENT, AND HAS TO BE RETURNED TO US IN CASE OF NO USAGE.

DIT IS ONZE EIGENDOM EN MAG NOCH NAGEMAAKT, HERDRUKT, OVERGEMAAKT AAN DERDEN, NOCH VOOR FABRIKATIE GEBRUIKT WORDEN, ZONDER ONZE SCHRIFTELIJKE TOELATING. BIJ NIET GEBRUIK IS TERUGGEGINE VERPLICHT.