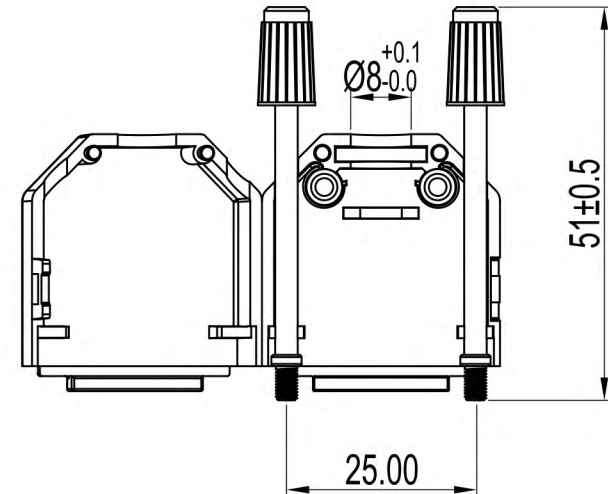


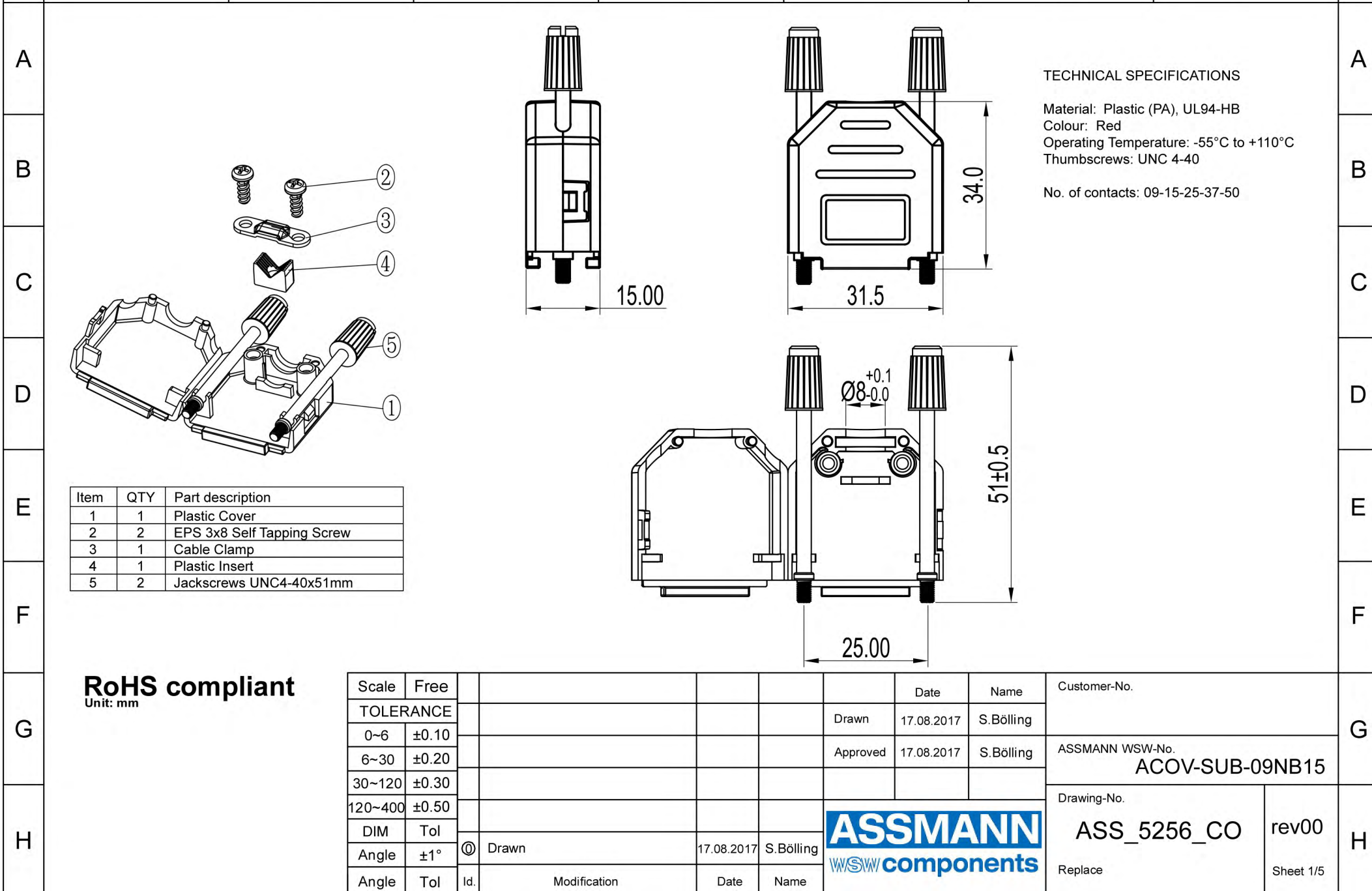
TECHNICAL SPECIFICATIONS
 Material: Plastic (PA), UL94-HB
 Colour: Red
 Operating Temperature: -55°C to +110°C
 Thumbscrews: UNC 4-40
 No. of contacts: 09-15-25-37-50



Item	QTY	Part description
1	1	Plastic Cover
2	2	EPS 3x8 Self Tapping Screw
3	1	Cable Clamp
4	1	Plastic Insert
5	2	Jackscrews UNC4-40x51mm

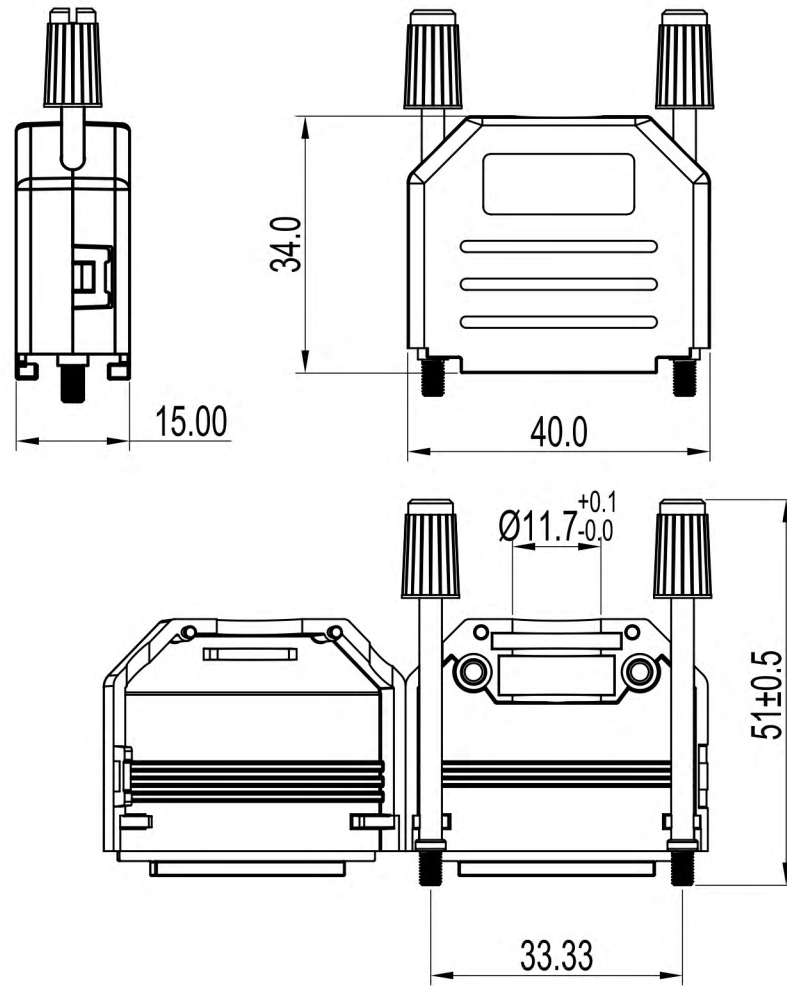
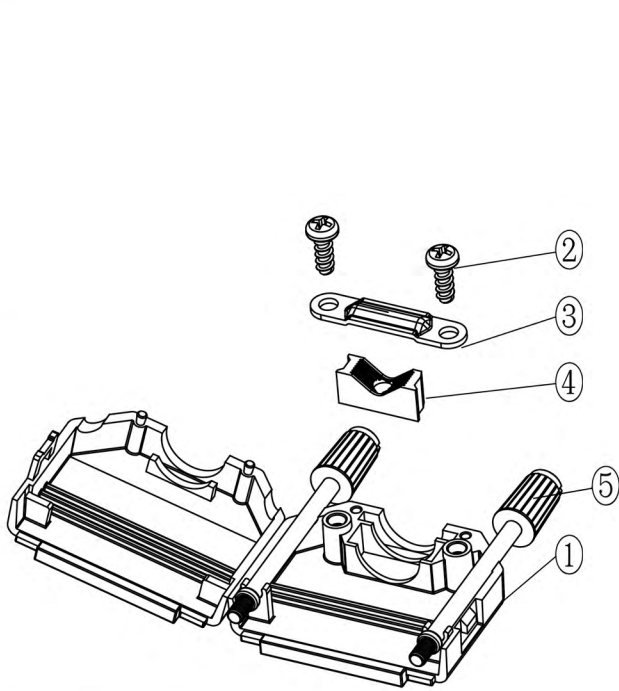
RoHS compliant
 Unit: mm

Scale	Free				Date	Name	Customer-No.
TOLERANCE					Drawn	17.08.2017	S.Bölling
0~6	±0.10				Approved	17.08.2017	S.Bölling
6~30	±0.20						
30~120	±0.30						
120~400	±0.50						
DIM	Tol						
Angle	±1°	©	Drawn	17.08.2017	S.Bölling	ASSMANN WSW components ASS_5256_CO rev00 Replace Sheet 1/5	
Angle	Tol	Id.	Modification	Date	Name		



A
B
C
D
E
F
G
H

A
B
C
D
E
F
G
H



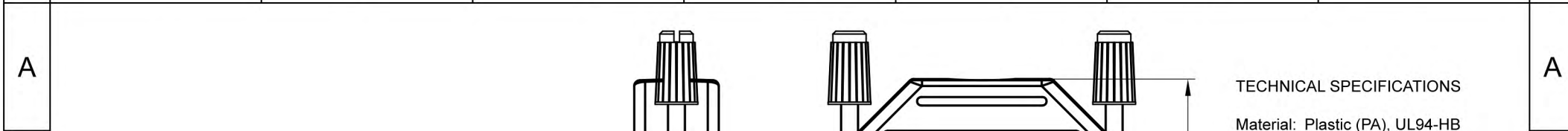
TECHNICAL SPECIFICATIONS
 Material: Plastic (PA), UL94-HB
 Colour: Red
 Operating Temperature: -55°C to +110°C
 Thumbscrews: UNC 4-40
 No. of contacts: 09-15-25-37-50

Item	QTY	Part description
1	1	Plastic Cover
2	2	EPS 3x8 Self Tapping Screw
3	1	Cable Clamp
4	1	Plastic Insert
5	2	Jackscrews UNC4-40x51mm

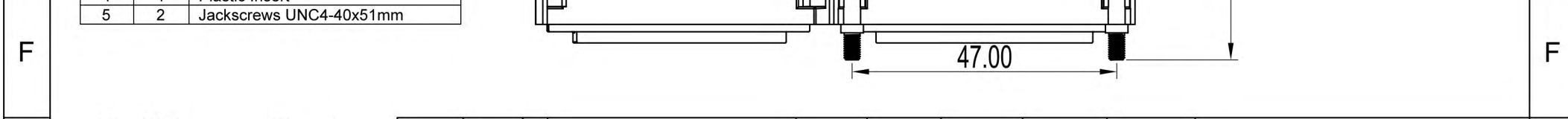
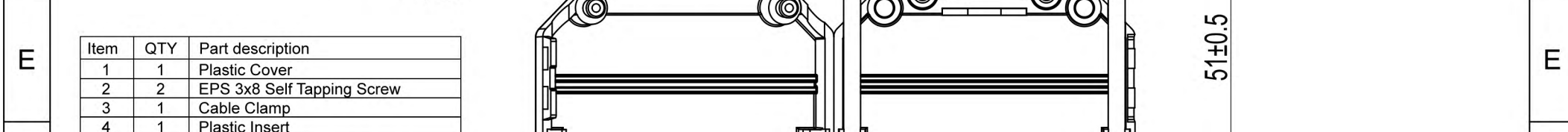
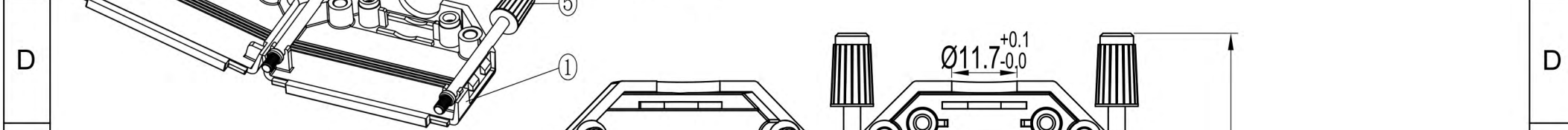
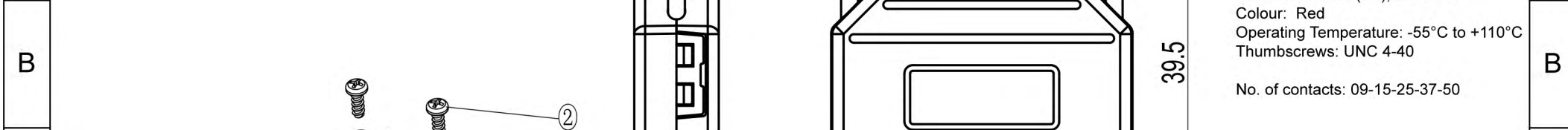
RoHS compliant
 Unit: mm

Scale	Free				Date	Name	Customer-No.	
TOLERANCE					Drawn	17.08.2017	S.Bölling	
0~6	±0.10				Approved	17.08.2017	S.Bölling	
6~30	±0.20							
30~120	±0.30							
120~400	±0.50							
DIM	Tol							
Angle	±1°	©	Drawn	17.08.2017				S.Bölling
Angle	Tol	Id.	Modification	Date				Name

Customer-No.			
ASSMANN WSW-No.		ACOVSUB-15NB15	
Drawing-No.		ASS_5256_CO	rev00
Replace		Sheet 2/5	



TECHNICAL SPECIFICATIONS
 Material: Plastic (PA), UL94-HB
 Colour: Red
 Operating Temperature: -55°C to +110°C
 Thumbscrews: UNC 4-40
 No. of contacts: 09-15-25-37-50



Item	QTY	Part description
1	1	Plastic Cover
2	2	EPS 3x8 Self Tapping Screw
3	1	Cable Clamp
4	1	Plastic Insert
5	2	Jackscrews UNC4-40x51mm

G	RoHS compliant Unit: mm	Scale	Free				Date	Name	Customer-No.	
		TOLERANCE					Drawn	17.08.2017	S.Bölling	ASSMANN WSW-No. ACOV-SUB-25NB15
		0~6	±0.10				Approved	17.08.2017	S.Bölling	

H	ASSMANN WSW components	Drawing-No.		ASS_5256_CO	rev00
		Replace			
		Id.	Modification	Date	Name

1

2

3

4

5

6

7

A

A

B

B

C

C

D

D

E

E

F

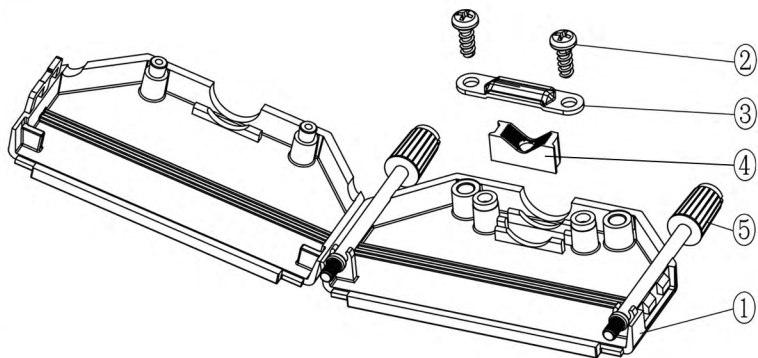
F

G

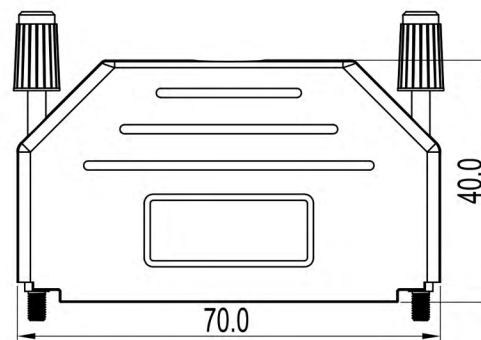
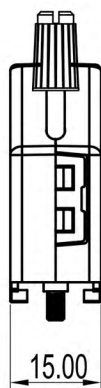
G

H

H



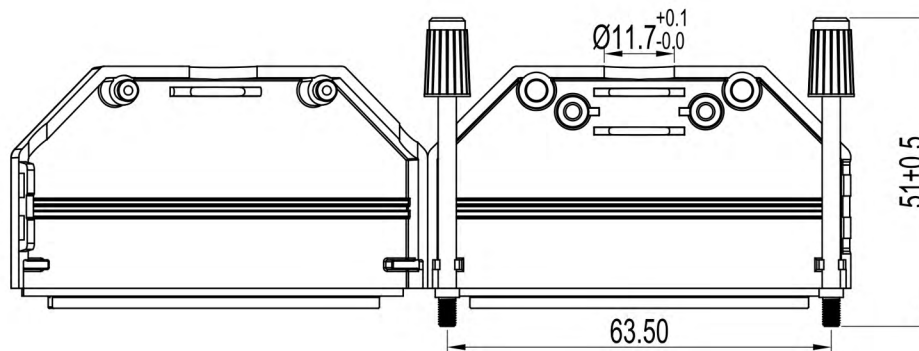
Item	QTY	Part description
1	1	Plastic Cover
2	2	EPS 3x8 Self Tapping Screw
3	1	Cable Clamp
4	1	Plastic Insert
5	2	Jackscrews UNC4-40x51mm



TECHNICAL SPECIFICATIONS

Material: Plastic (PA), UL94-HB
 Colour: Red
 Operating Temperature: -55°C to +110°C
 Thumbscrews: UNC 4-40

No. of contacts: 09-15-25-37-50



RoHS compliant
 Unit: mm

Scale	Free					Date	Name	Customer-No.
TOLERANCE						Drawn	17.08.2017	S.Bölling
0~6	±0.10					Approved	17.08.2017	S.Bölling
6~30	±0.20							
30~120	±0.30							
120~400	±0.50							
DIM	Tol							
Angle	±1°	Ⓢ	Drawn			17.08.2017	S.Bölling	
Angle	Tol	Id.	Modification			Date	Name	

ASSMANN
 WSW components

ASSMANN WSW-No.
ACOV-SUB-37NB15

Drawing-No.
ASS_5256_CO rev00
 Replace Sheet 4/5

1

2

3

4

5

6

7

SV4382

1 2 3 4 5 6 7

A

B

C

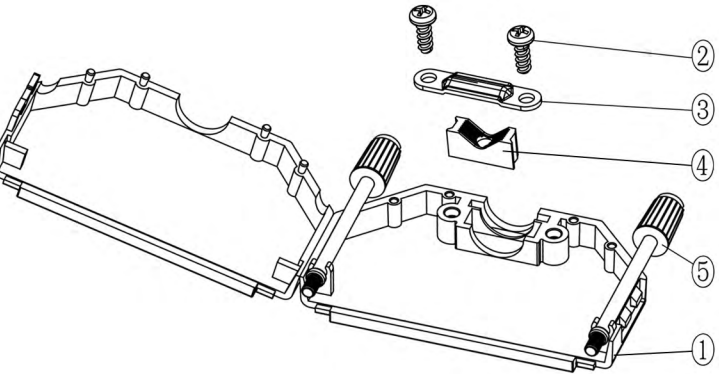
D

E

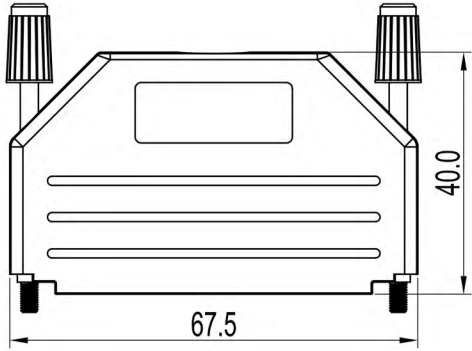
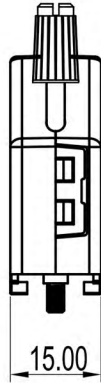
F

G

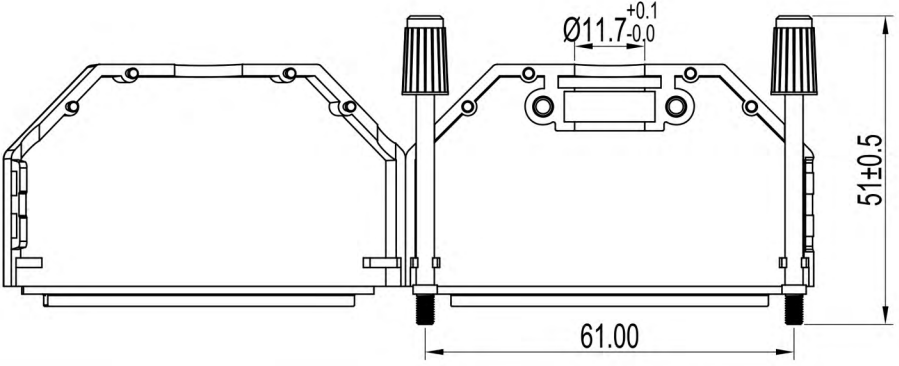
H



Item	QTY	Part description
1	1	Plastic Cover
2	2	EPS 3x8 Self Tapping Screw
3	1	Cable Clamp
4	1	Plastic Insert
5	2	Jackscrews UNC4-40x51mm



TECHNICAL SPECIFICATIONS
 Material: Plastic (PA), UL94-HB
 Colour: Red
 Operating Temperature: -55°C to +110°C
 Thumbscrews: UNC 4-40
 No. of contacts: 09-15-25-37-50



RoHS compliant
 Unit: mm

Scale	Free					Date	Name	Customer-No.
TOLERANCE						Drawn	17.08.2017	S.Bölling
0~6	±0.10					Approved	17.08.2017	S.Bölling
6~30	±0.20							
30~120	±0.30							
120~400	±0.50							
DIM	Tol							
Angle	±1°	Ⓢ	Drawn	17.08.2017	S.Bölling			
Angle	Tol	Id.	Modification	Date	Name			

ASSMANN
 WSW components

Customer-No.

ASSMANN WSW-No.
ACOV-SUB-50NB15

Drawing-No.
ASS_5256_CO rev00

Replace

Sheet 5/5

1 2 3 4 5 6 7 SV4382