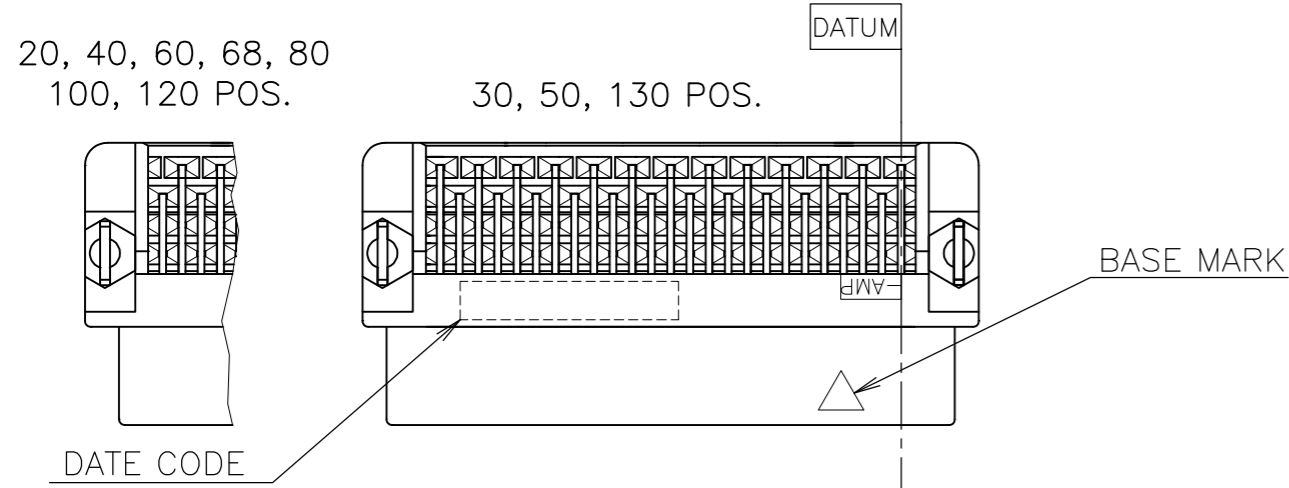
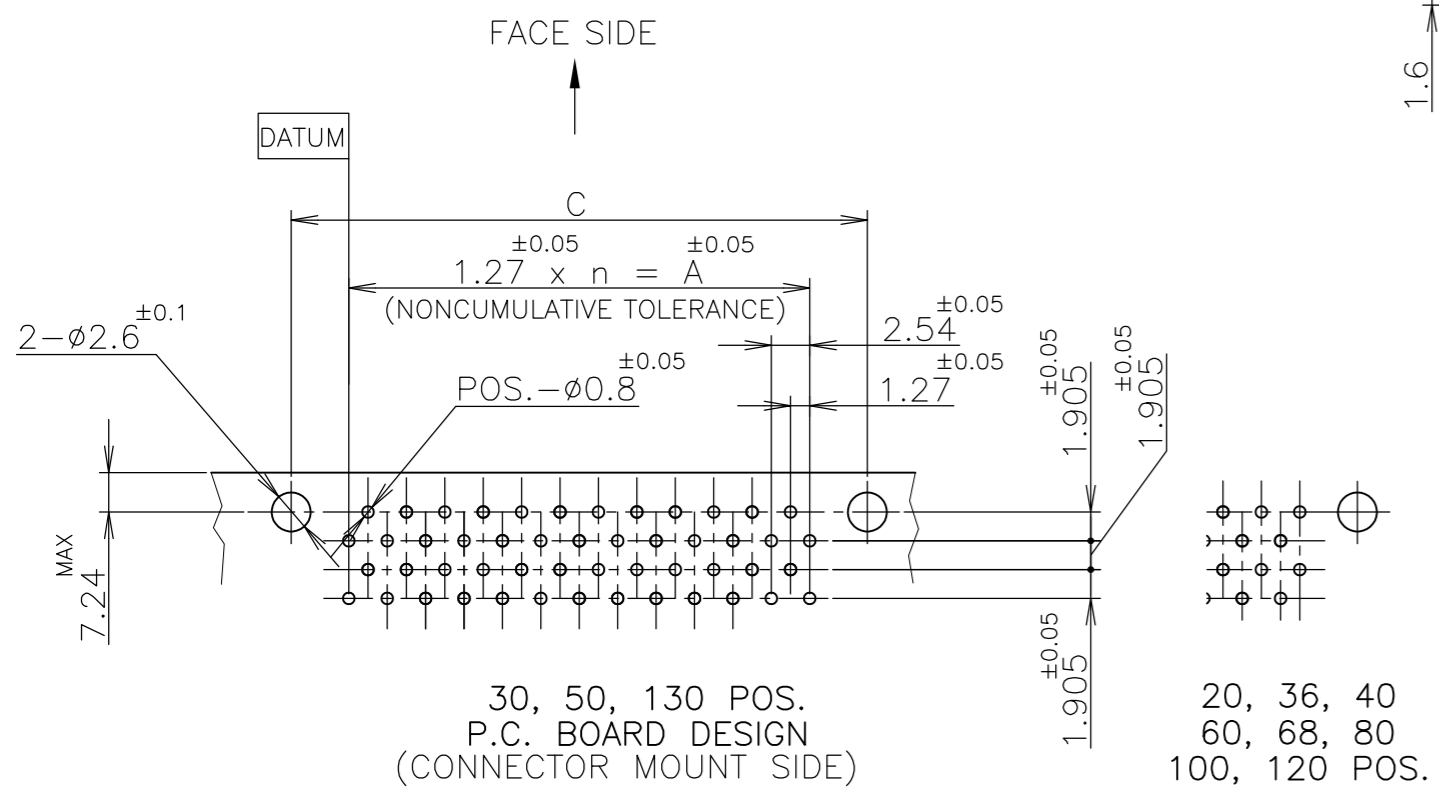
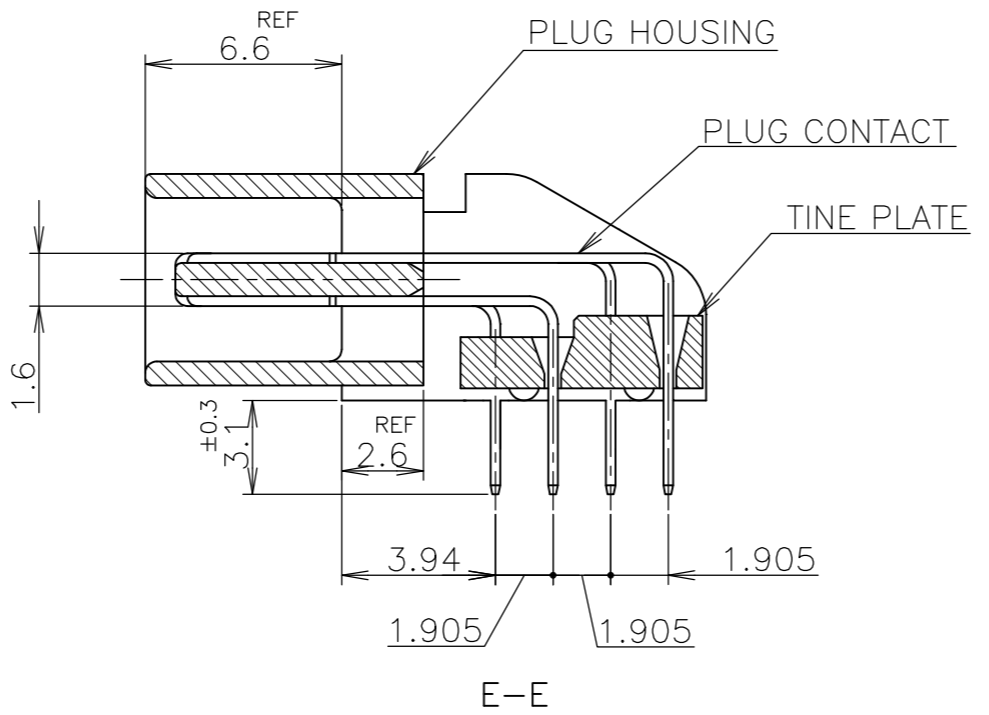
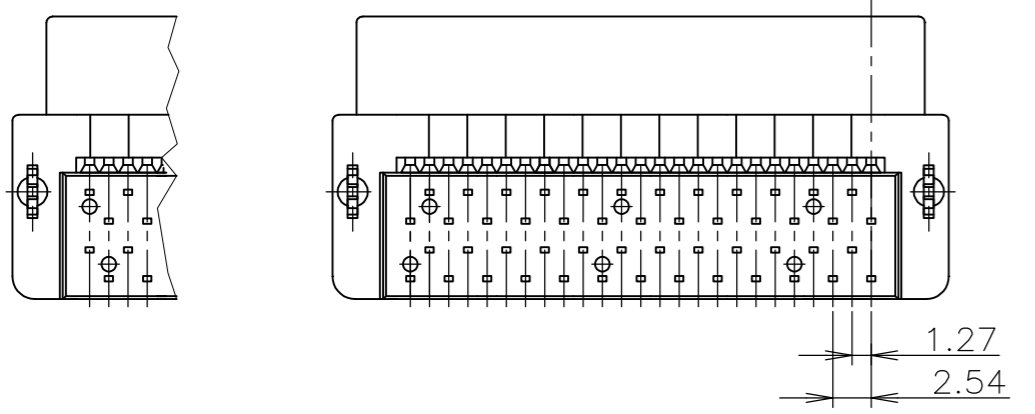
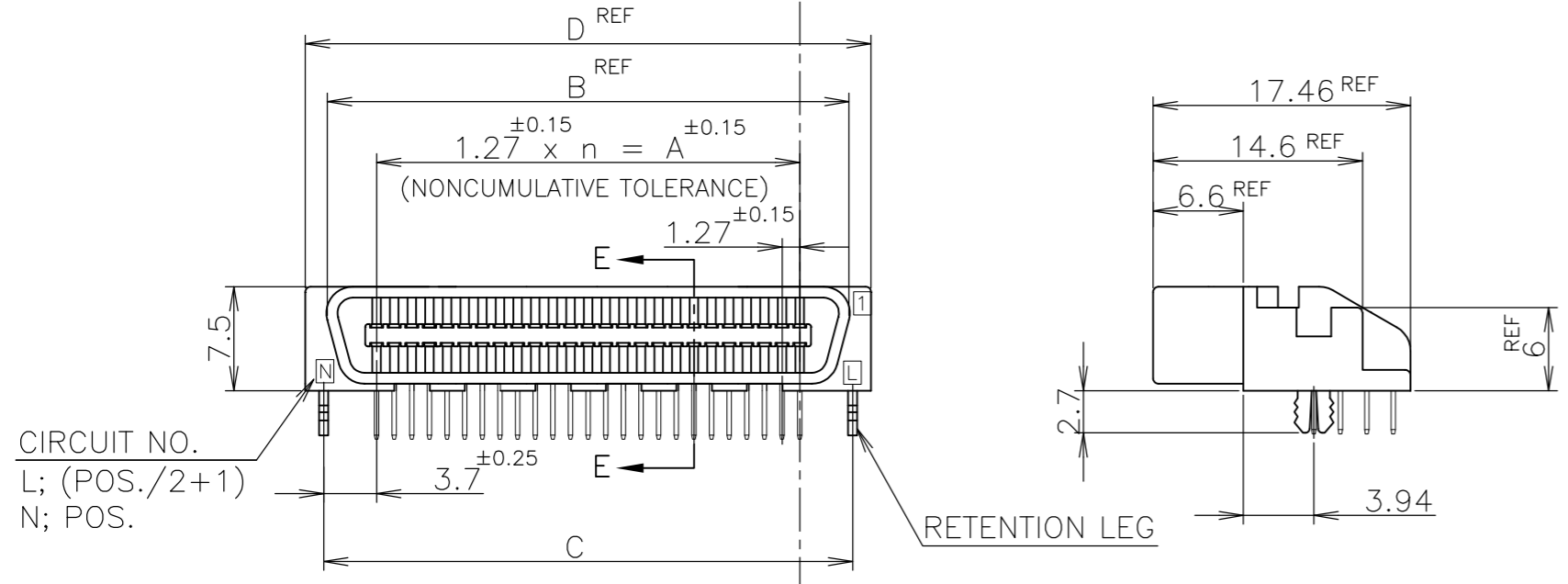


THIS DRAWING IS UNPUBLISHED. RELEASED FOR PUBLICATION AUG, 2004.  
 © COPYRIGHT 2004 By - ALL RIGHTS RESERVED.

LOC		DIST		REVISIONS				
P	LTR	DESCRIPTION			DATE	DWN	APVD	
B		REVISED PER ECO-12-012349			28MAR13	BL	AC	



- 1 NUMBER "n" IS COUNTED FROM DATUM (CIRCUIT NO.1 IS "AMP" MARK SIDE.)
- △ MATERIA: HOUSING, 66 NYLON (GF) UL 94V-0, BLACK.  
: CONTACT, PHOSPHOR BRONZE.  
: RETENTION LEG; BRASS.
- △ FINISH: CONTACT; Au AT CONTACT AREA (SEE TABLE), TIN AT TINE, OVER Ni.  
RETENTION LEG; TIN UNDER Ni.



POS.	n	A	B	C	D		
6-	-2	130	64	81.28	89.62		
6-	-1	120	59	74.93	83.27		
6-	-0	100	49	62.23	70.57		
5-	-9	80	39	49.53	57.87		
5-	-8	68	33	41.91	50.25		
5-	-7	60	29	36.83	45.17		
5-	-6	50	24	30.48	38.82		
5-	-5	40	19	24.13	32.47		
5-	-4	36	17	21.59	29.93		
5-	-3	30	14	17.78	26.12		
5-	-1	20	9	11.43	19.77		
OBSOLETE	4-	130	64	81.28	89.62		
4-	-1	120	59	74.93	83.27		
4-	-0	100	49	62.23	70.57		
3-	-9	80	39	49.53	57.87		
3-	-8	68	33	41.91	50.25		
3-	-7	60	29	36.83	45.17		
3-	-6	50	24	30.48	38.82		
3-	-5	40	19	24.13	32.47		
OBSOLETE	3-	36	17	21.59	29.93		
3-	-3	30	14	17.78	26.12		
3-	-1	20	9	11.43	19.77		
OBSOLETE	1-	130	64	81.28	89.62		
1-	-1	120	59	74.93	83.27		
1-	-0	100	49	62.23	70.57		
	-9	80	39	49.53	57.87		
	-8	68	33	41.91	50.25		
	-7	60	29	36.83	45.17		
	-6	50	24	30.48	38.82		
	-5	40	19	24.13	32.47		
	-4	36	17	21.59	29.93		
	-3	30	14	17.78	26.12		
5175472-1		20	9	11.43	19.77		
PART NO.	Au PLATE	POS.	n	A	B	C	D

LEAD FREE

GENERAL TOLERANCE  
 10 ≥ : ±0.2  
 30 ≥ > 10: ±0.25  
 100 ≥ > 30: ±0.3  
 ANGLES: ±3°

THIS DRAWING IS A CONTROLLED DOCUMENT.

DWN: Julyee Zhu 18AUG2004	CHK: Steven Yao 18AUG2004	APVD: Ikuo Enomoto 18AUG2004	NAME: AMP CHAMP .050 CONNECTOR (B-T-B) PLUG CONNECTOR (HORIZONTAL WITH RETENTION LEG)
PRODUCT SPEC: 108-60038			APPLICATION SPEC
MATERIAL: △		FINISH: △	
WEIGHT		SCALE: NTS	
CUSTOMER DRAWING		SHEET: 1 OF 1	

TE Connectivity  
 SIZE: A2 CAGE CODE: 00779 DRAWING NO: 5175472  
 RESTRICTED TO: B