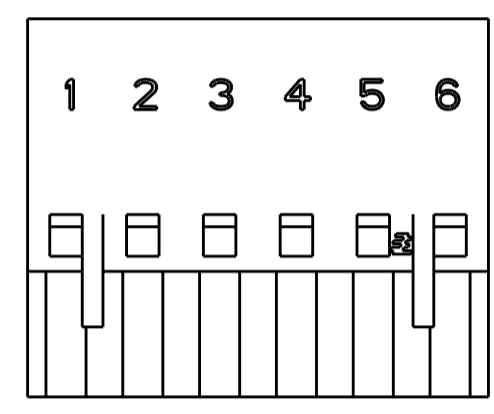
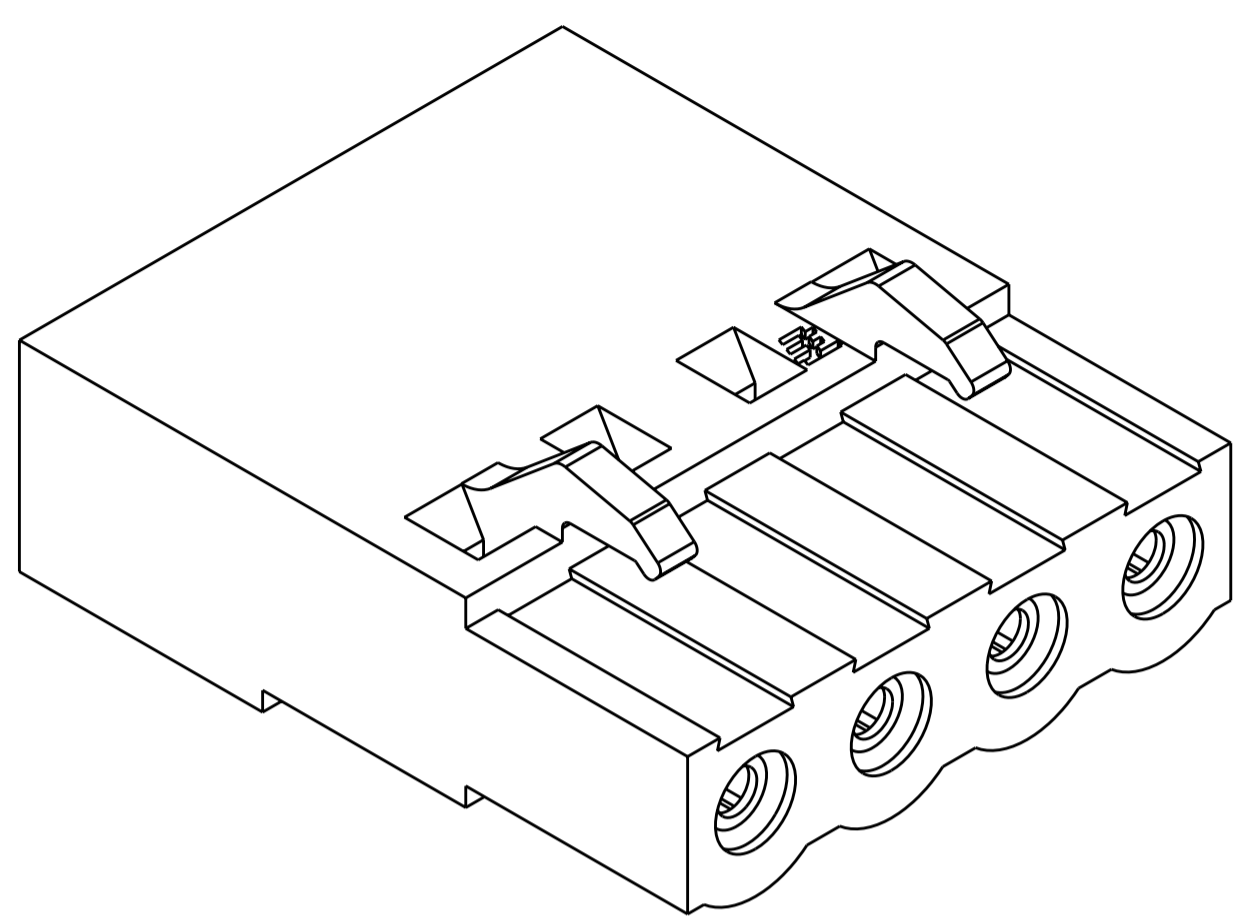
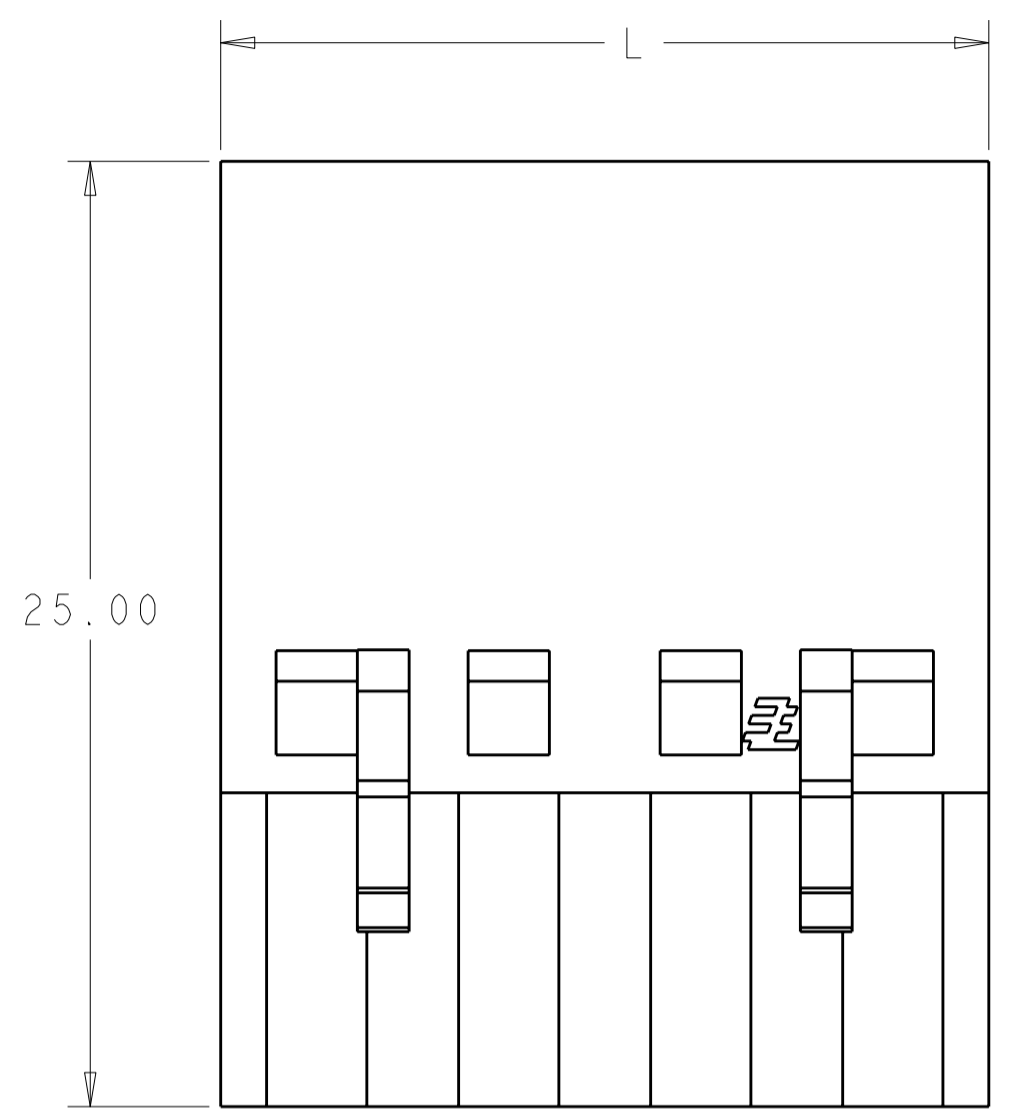
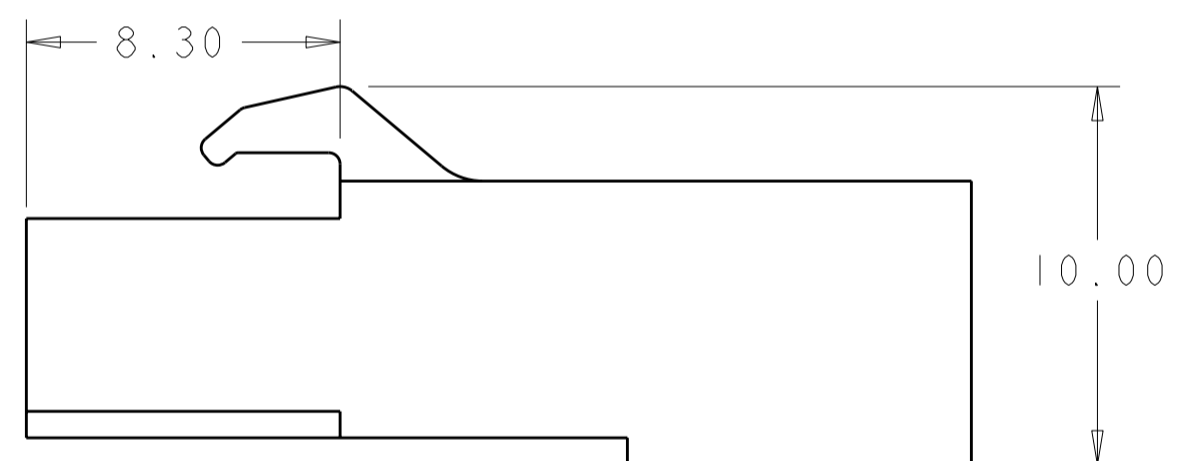
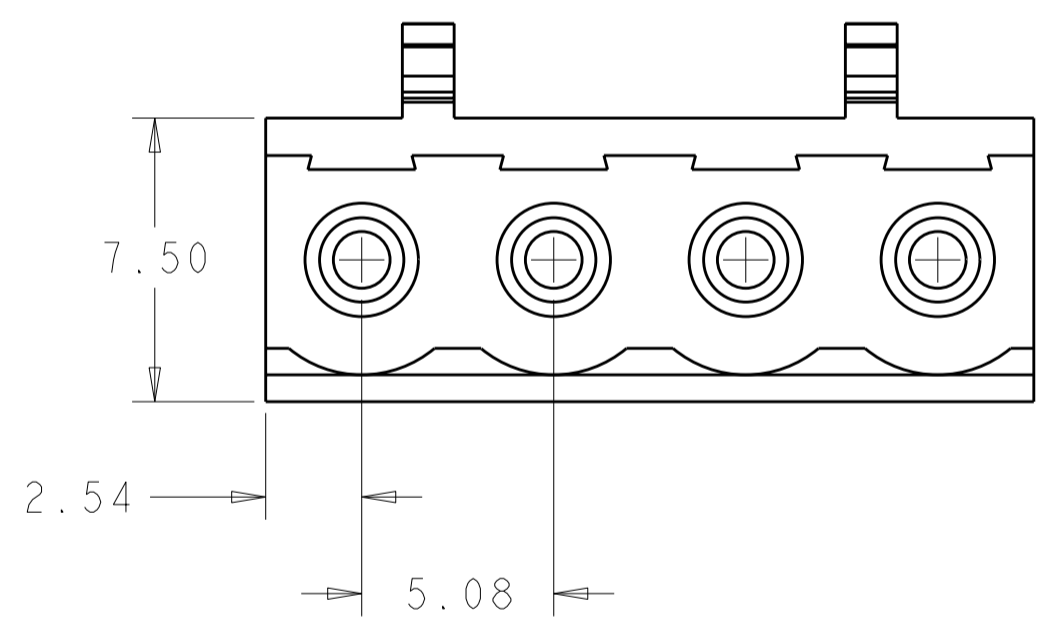


THIS DRAWING IS UNPUBLISHED. RELEASED FOR PUBLICATION 20
 © COPYRIGHT 20 BY - ALL RIGHTS RESERVED.

LOC		DIST		REVISIONS			
P	LTR	DESCRIPTION	DATE	DWN	APVD		
FT	0	A4	REVISD PER ECO-11-004917	12MAR2011	RK	HMR	



DETAIL C \triangle 4



THIS PRODUCT HAS NOT COMPLETED VALIDATION TESTING

\triangle 4 \triangle 5	GREEN	30.48	6	2-1986160-6
	GRAY	30.48	6	1-1986160-6
	GRAY	25.40	5	1-1986160-5
	GRAY	20.32	4	1-1986160-4
	GRAY	15.24	3	1-1986160-3
	GRAY	10.16	2	1-1986160-2
	GREEN	30.48	6	1986160-6
	GREEN	25.40	5	1986160-5
	GREEN	20.32	4	1986160-4
	GREEN	15.24	3	1986160-3
	GREEN	10.16	2	1986160-2
	HOUSING COLOR	L	NO OF POSN	PART NUMBER

- MATERIAL:
HOUSING - POLYESTER, UL 94V-0 RATED, COLOR: SEE TABLE.
- RECOMMENDED CRIMP STYLE CONTACTS, (965899 AND 965901) TO BE USED WITH THIS HOUSING.
- CONNECTOR MATES WITH 5.08mm OPEN AND CLOSED END INDUSTRY STANDARD HEADERS.

- \triangle 4 PART TO BE MARKED WITH BLACK PERMANENT MARKING SEE DETAIL C, LETTER TO BE 3.8 MM IN HEIGHT
- \triangle 5 PRELIMINARY

THIS DRAWING IS A CONTROLLED DOCUMENT.		DWN S. WELDON 19MAR2007	TE Connectivity	
DIMENSIONS: mm		CHK C. RICHARD 19MAR2007		
TOLERANCES UNLESS OTHERWISE SPECIFIED:		APVD C. RICHARD 19MAR2007	NAME PLUG HOUSING, TERMINAL BLOCK, CRIMP STYLE, 5.08mm PITCH	
0 PLC ±-		PRODUCT SPEC	SIZE CAGE CODE DRAWING NO RESTRICTED TO	
1 PLC ±0.5		APPLICATION SPEC	A200779C-1986160	
2 PLC ±0.13		WEIGHT	SCALE 5:1 SHEET 1 OF 1 REV A4	
3 PLC ±0.000		CUSTOMER DRAWING		
4 PLC ±0.000				
ANGLES ±-				
FINISH				