

Customer Information Sheet

DRAWING No.: M22-204XXXX

SHEET 2 OF 2

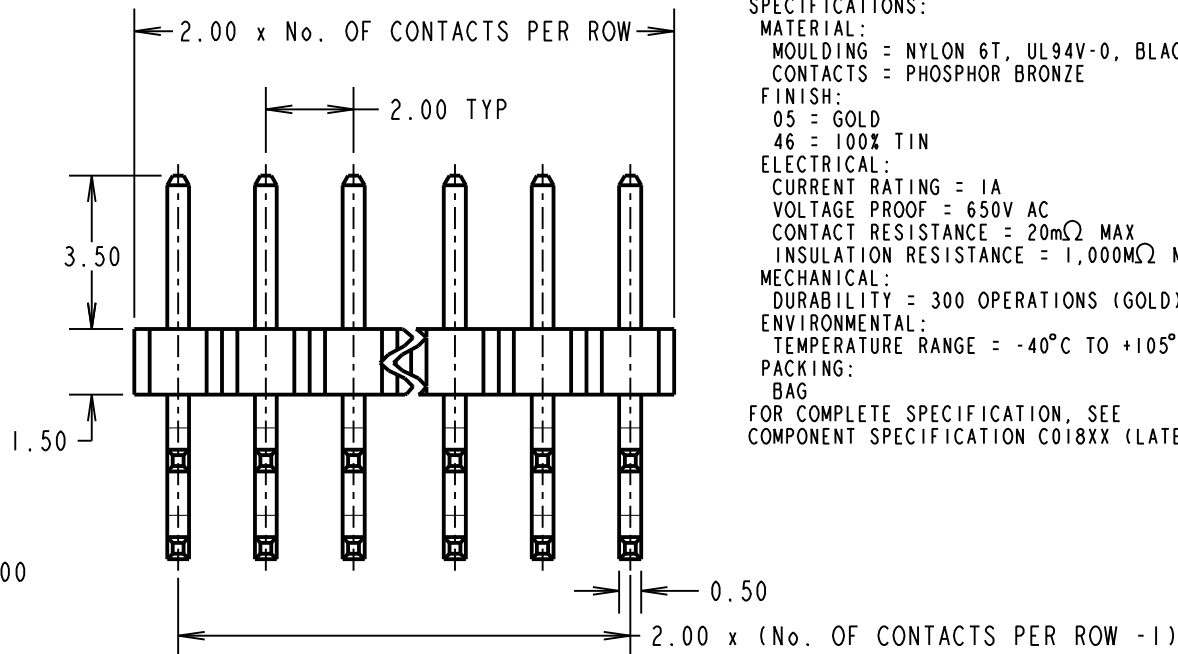
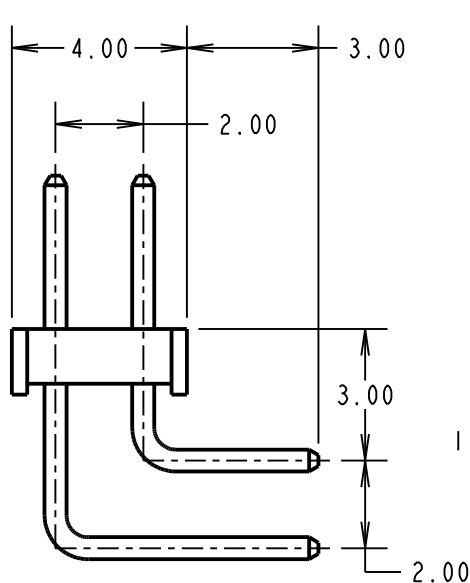
IF IN DOUBT - ASK



NOT TO SCALE

THIRD ANGLE PROJECTION

ALL DIMENSIONS IN mm



SPECIFICATIONS:

MATERIAL:

MOULDING = NYLON 6T, UL94V-0, BLACK
CONTACTS = PHOSPHOR BRONZE

FINISH:

05 = GOLD
46 = 100% TIN

ELECTRICAL:

CURRENT RATING = 1A
VOLTAGE PROOF = 650V AC
CONTACT RESISTANCE = 20mΩ MAX
INSULATION RESISTANCE = 1,000MΩ MIN

MECHANICAL:

DURABILITY = 300 OPERATIONS (GOLD), 50 OPERATIONS (TIN)

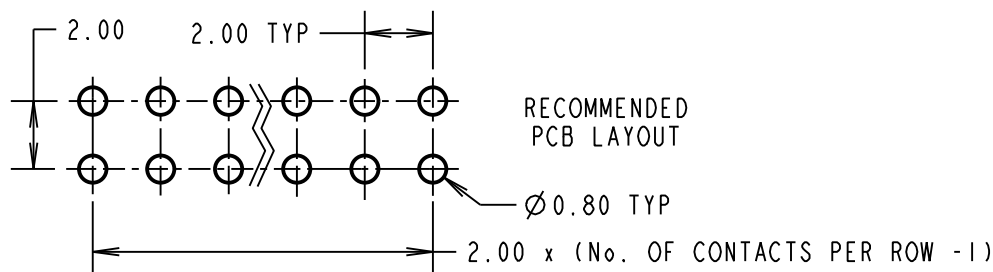
ENVIRONMENTAL:

TEMPERATURE RANGE = -40°C TO +105°C

PACKING:

BAG

FOR COMPLETE SPECIFICATION, SEE
COMPONENT SPECIFICATION C018XX (LATEST ISSUE)



RECOMMENDED
PCB LAYOUT

Ø0.80 TYP

2.00 x (No. OF CONTACTS PER ROW - 1)

NOTES:

1. ALL TOLERANCES ARE ±0.20 UNLESS OTHERWISE STATED.

ORDER CODE:

M22-204XXXX

No. OF WAYS PER ROW
02 TO 25, 50

FINISH

05 = GOLD OVER NICKEL
46 = 100% TIN OVER NICKEL

MSP	8	16.06.15	12803
NAME	ISS.	DATE	C/NOTE
APPROVED:		M.PERREN	
CHECKED:		S.BENNETT	
DRAWN:		P. D. COLLINS	
CUSTOMER REF.:			
ASSEMBLY DRG:			

HARWIN

www.harwin.com
technical@harwin.com

THIS DRAWING AND ANY INFORMATION OR DESCRIPTIVE MATTER SET OUT HEREON ARE CONFIDENTIAL AND COPYRIGHT PROPERTY OF THE HARWIN GROUP AND MUST NOT BE DISCLOSED, LOANED, COPIED OR USED FOR MANUFACTURING, TENDERING OR FOR ANY OTHER PURPOSE WITHOUT THEIR WRITTEN PERMISSION.

TOLERANCES

~~X. = ±1mm~~
~~X.X = ±0.50mm~~
~~X.XX = ±0.10mm~~
~~X.XXX = ±0.01mm~~

ANGLES = ±5°

UNLESS STATED

MATERIAL:

SEE ABOVE

FINISH:

SEE ABOVE

S/AREA:

mm²

TITLE:

2.00mm PITCH DIL
HORIZONTAL PC TAIL PIN HDR

DRAWING NUMBER:

M22-204XXXX

SHT
2
OF
2