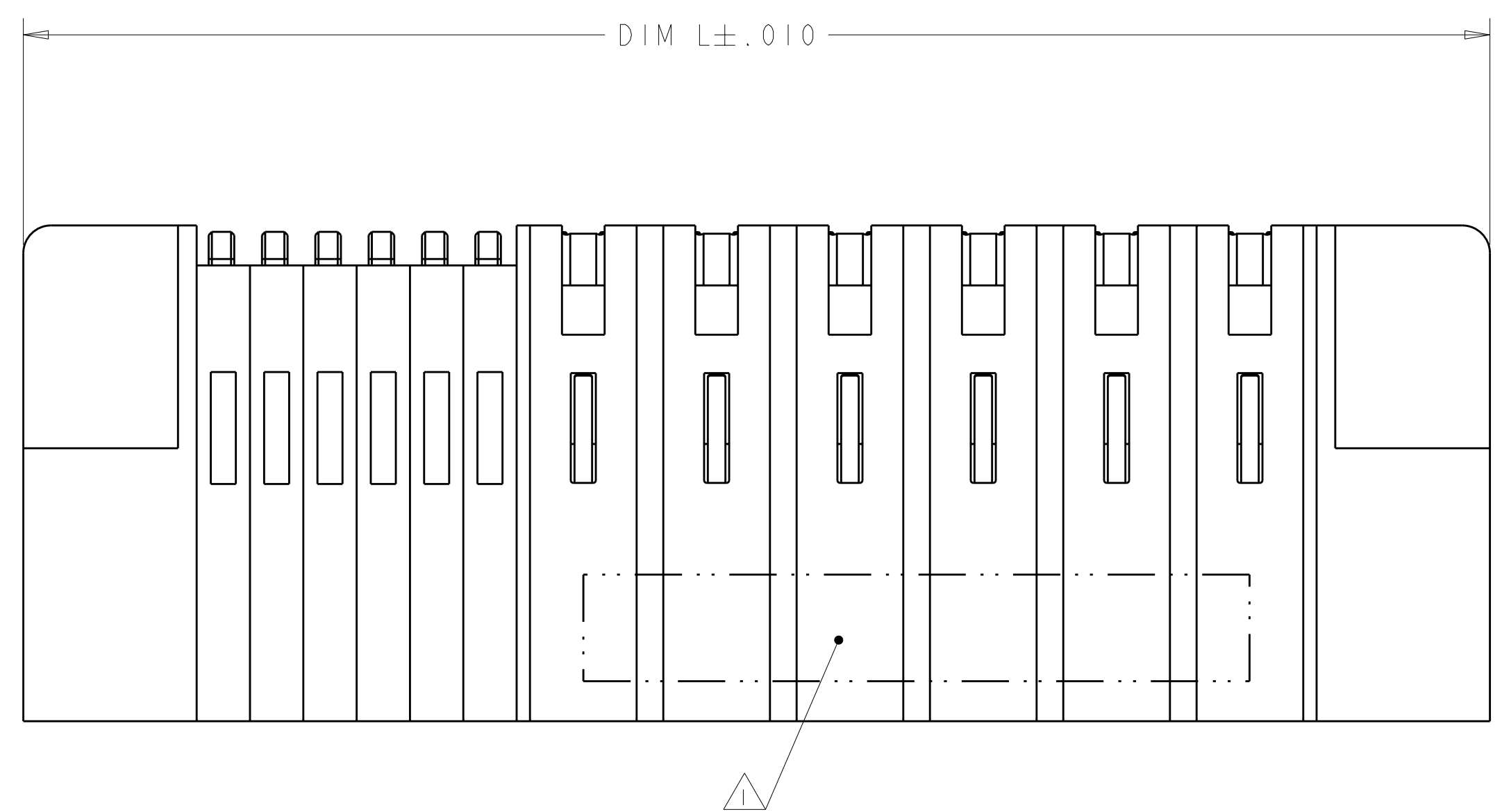
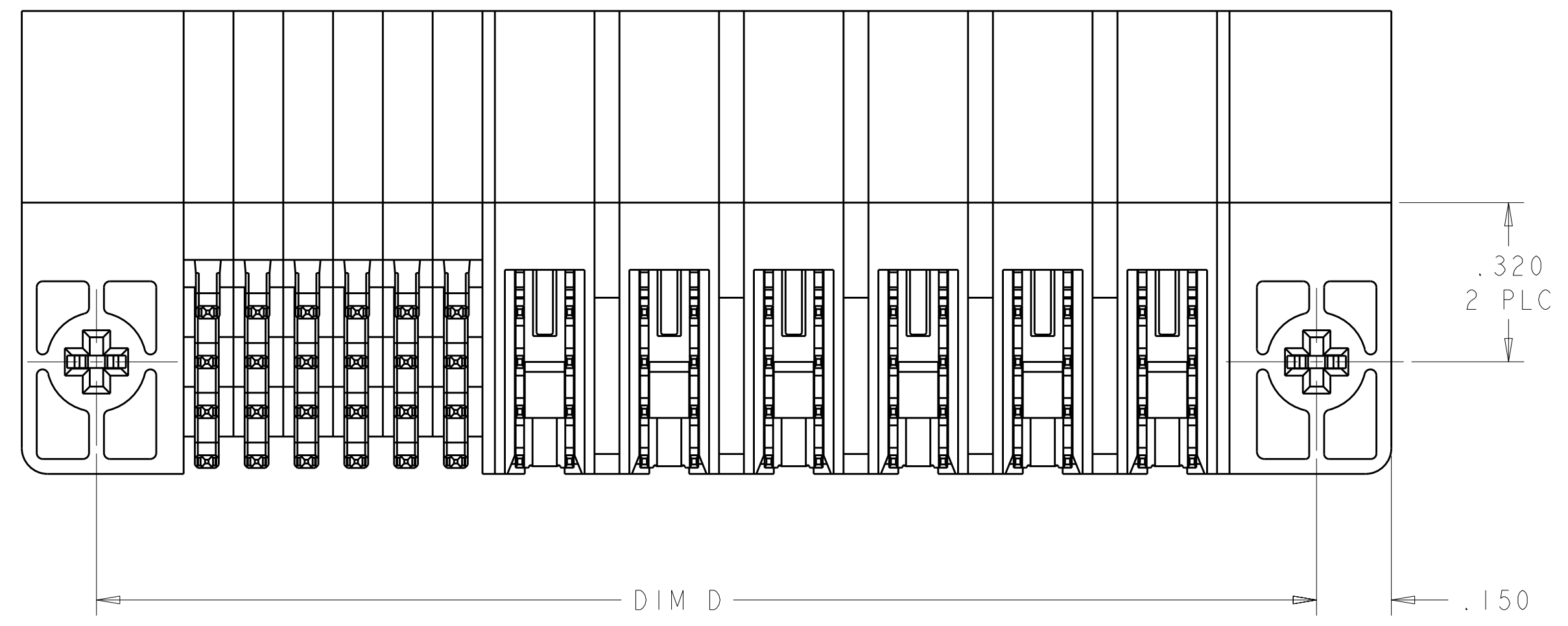
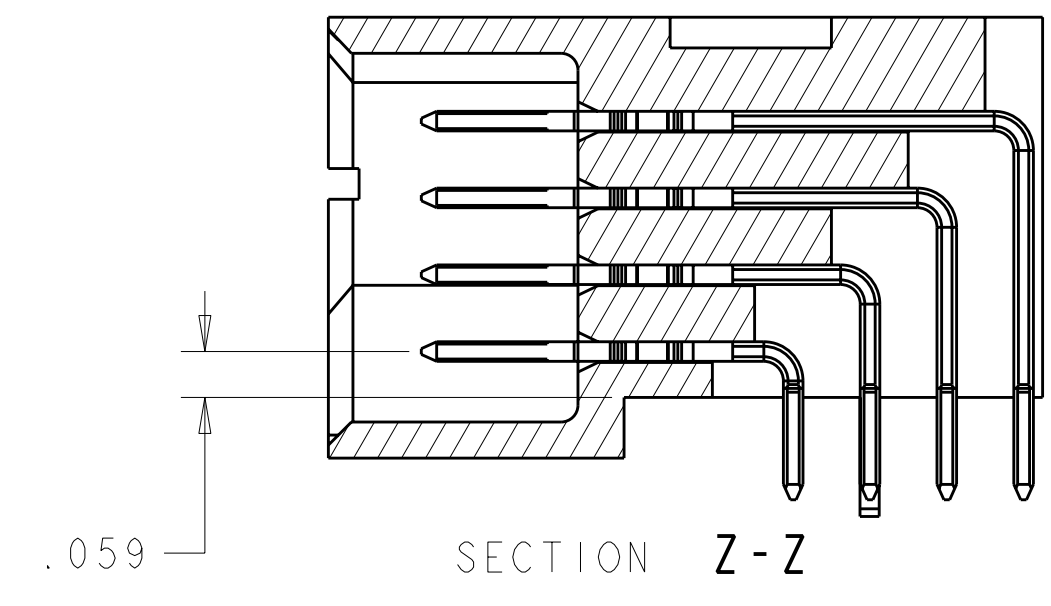
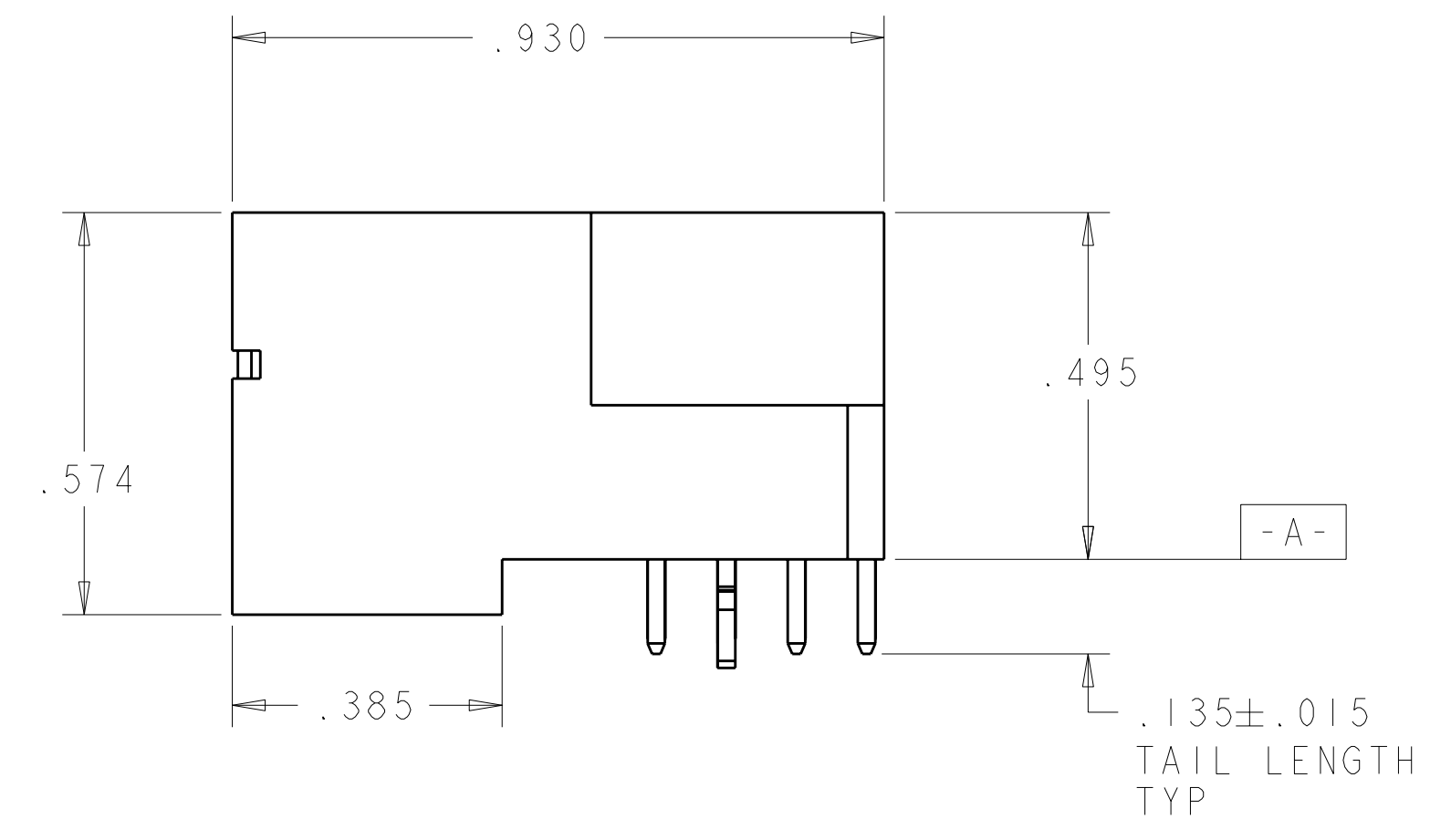
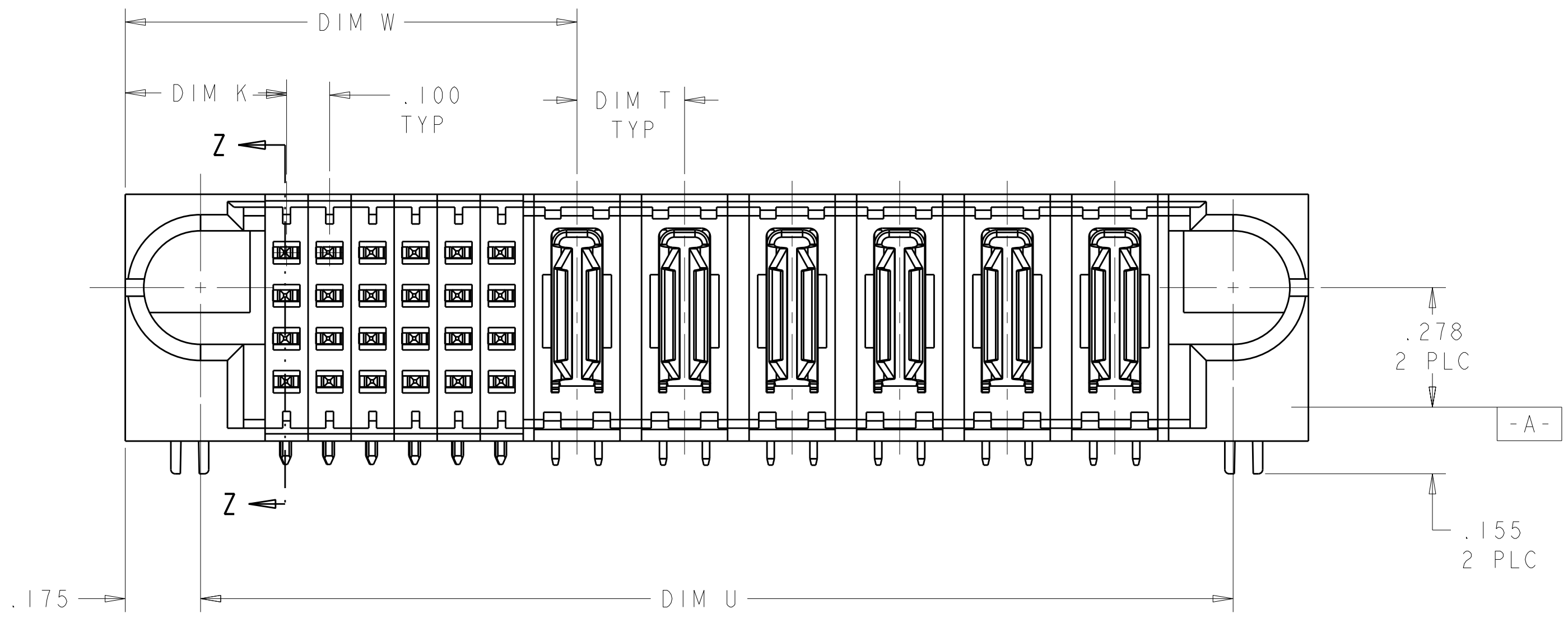


LOC	DIST	REVISIONS			
GP	00	REV	DATE	DWN	APVD
		D	REV PER ECR-12-003619	27FEB2012	CZ SZ



- 1 PART NUMBER, AND DATE CODE MARKED IN AREA SHOWN.
- 2 MATERIAL:
 HOUSING - GLASS FILLED HIGH TEMP THERMO PLASTIC, UL94 V-0
 SIGNAL CONTACT - COPPER ALLOY
 POWER CONTACT - HIGH CONDUCTIVITY COPPER ALLOY
- 3 CONTACT PLATING:
 SIGNAL CONTACTS - .000050 MIN Ni UNDER ALL.
 .000030 MIN Au ON CONTACT AREA.
 .000100 MIN Sn AT PCB INTERFACE.
 POWER CONTACTS - .000050 MIN Ni UNDER ALL.
 .000030 MIN Au ON CONTACT AREA.
 .000100 MIN Sn AT PCB INTERFACE.
- 4 MECHANICAL CONNECTOR KEEP OUT ZONE.
- 5 DATUM AND BASIC DIMENSIONS ESTABLISHED BY CUSTOMER.
- 6 PCB - ALL HOLE DIAMETERS ARE FINISHED HOLE SIZES.
- 7 PCB - .0453±.0010 DRILLED HOLES PLATED WITH .0003 MIN Sn OVER .001 TO .003 Cu PLATING TO ACHIEVE A .040 HOLE.
- 8 VARIABLE DIMENSION, SEE VIEW ON SHEET 4



.200	3.375	3.325	1.050	.375	3.675	24S + 12HDP	I-6600120-0
.250	2.450	2.400	1.050	.375	2.750	24S + 6P	6600120-9
.250	3.450	3.400	1.050	.375	3.750	24S + 10P	6600120-8
.250	3.450	3.400	1.050	.375	3.750	24S + 10P	6600120-3
.250	2.450	2.400	1.050	.375	2.750	24S + 6P	6600120-2
⊕	.3850	3.800	.900	.400	4.150	12S + 11P	6600120-1
DIM T	DIM D	DIM U	DIM W	DIM K	DIM L	DESCRIPTION	PART NUMBER

THIS DRAWING IS A CONTROLLED DOCUMENT. DWN: R. GRZYBOWSKI 13JUN05
 CHK: M. PERCHERKE 13JUN05
 APVD: M. PERCHERKE

DIMENSIONS: INCHES TOLERANCES UNLESS OTHERWISE SPECIFIED:
 9 PLC ±.01
 5 PLC ±.005
 4 PLC ±.0020
 ANGLES ±.0020

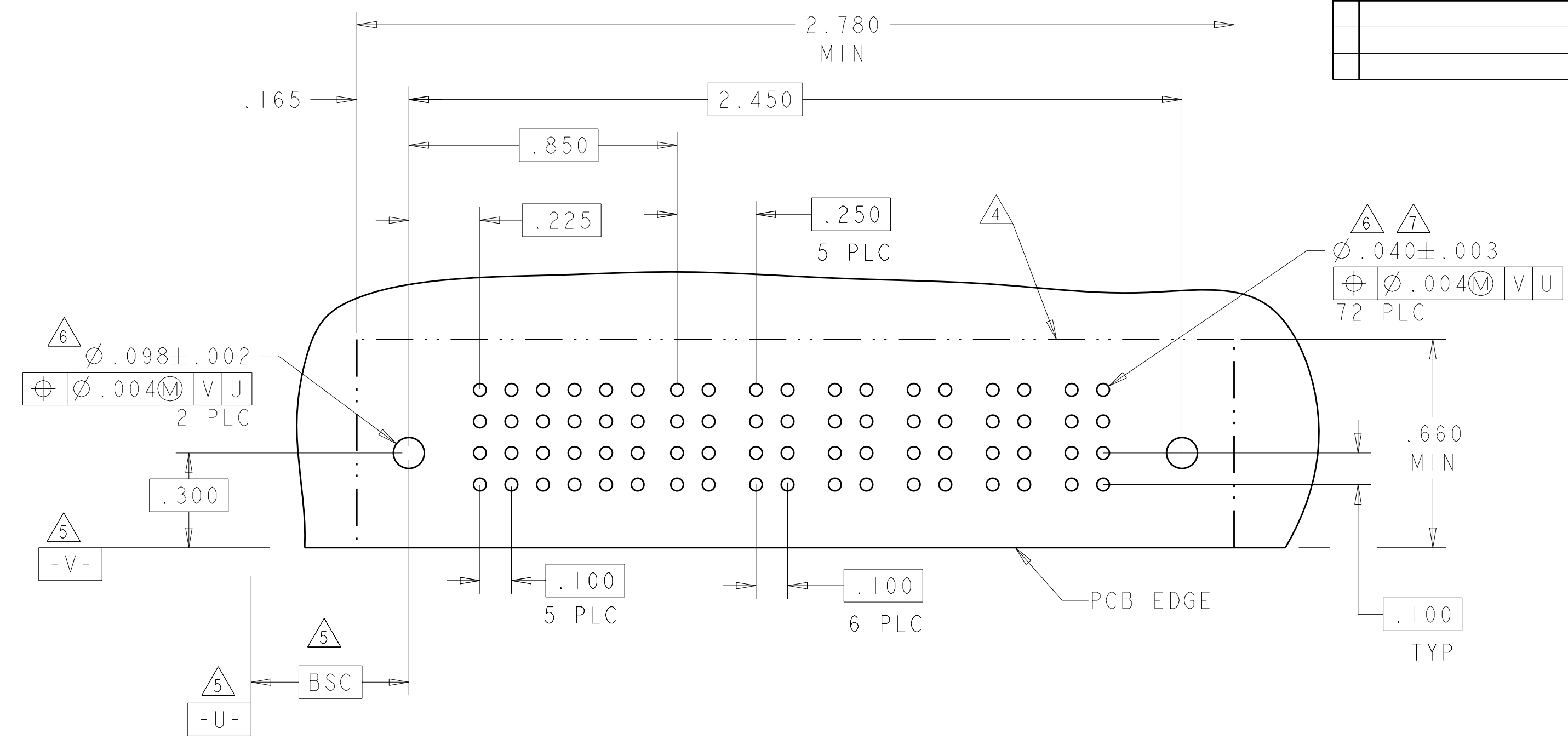
MATERIAL: 2 FINISH: 3

TE Connectivity
STE
 RIGHT ANGLE HEADER ASSEMBLY W/GUIDES DUAL BEAM XL

PRODUCT SPEC: 108-1973
 APPLICATION SPEC: 114-13038

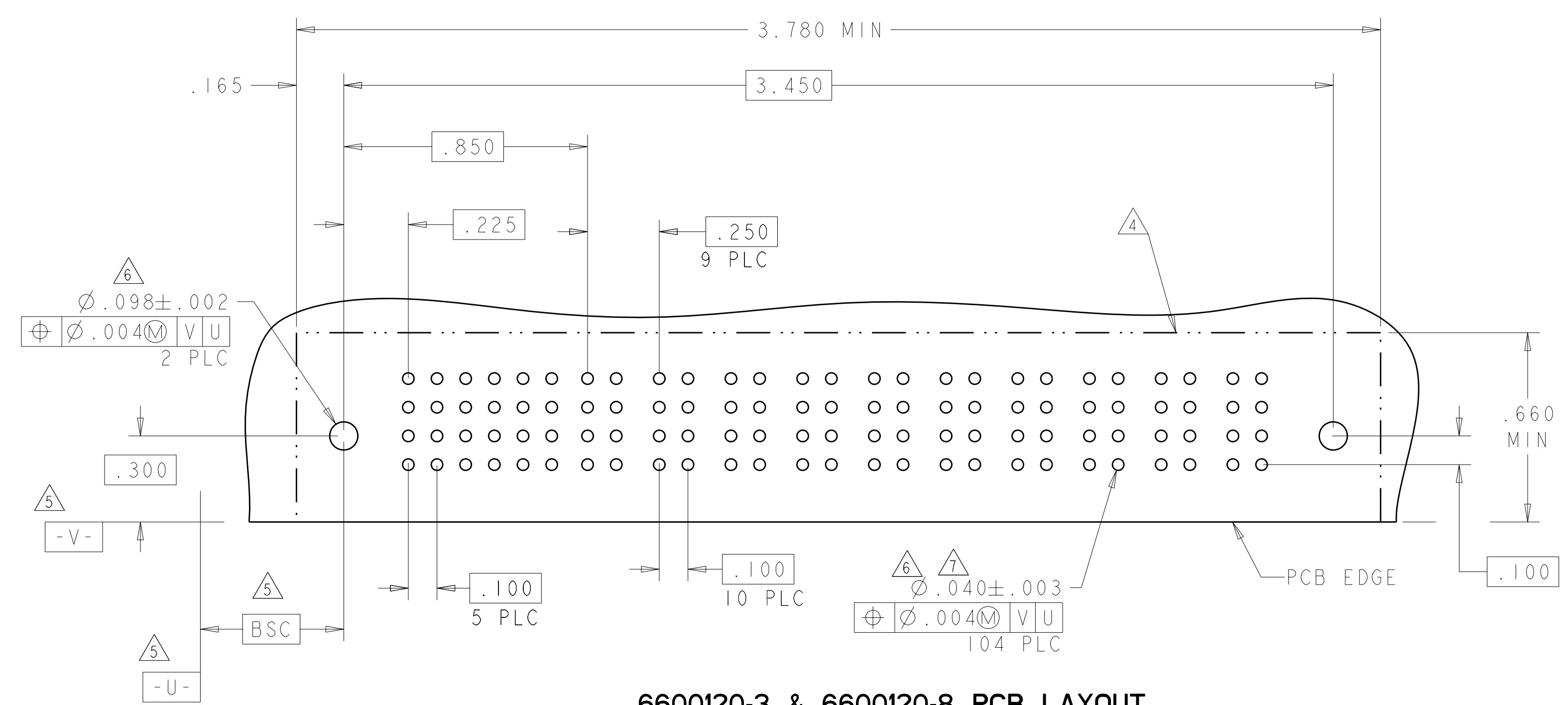
SIZE: CAGE CODE DRAWING NO: A100779 C=6600120
 WEIGHT: -
 CUSTOMER DRAWING SCALE: 4:1 SHEET 1 OF 4 REV D

PART NUMBER	ROWS	SIGNAL						POWER					
		1	2	3	4	5	6	P1	P2	P3	P4	P5	P6
6600120-2	D	J	J	J	J	J	J	PS	PS	PS	PS	PS	PS
	C	K	K	K	K	K	K						
	B	N	N	N	N	N	N						
	A	S	S	S	S	S	S						
		HD										HD	
24S + 6P													



PART NUMBER	ROWS	SIGNAL						POWER									
		1	2	3	4	5	6	P1	P2	P3	P4	P5	P6	P7	P8	P9	P10
6600120-3	D	J	J	J	J	J	J	PS	PS	PS	PS	PS	PS	PS	PS	PS	PS
	C	K	K	K	K	K	K										
	B	N	N	N	N	N	N										
	A	S	S	S	S	S	S										
		HD														HD	
24S + 10P																	

PART NUMBER	ROWS	SIGNAL						POWER									
		1	2	3	4	5	6	P1	P2	P3	P4	P5	P6	P7	P8	P9	P10
6600120-8	D	J	J	J	J	J	J	PS	PS	PS	PS	PS	PS	PS	PS	PS	
	C	K	K	K	K	F	K										
	B	N	N	N	N	G	N										
	A	H	S	S	S	S	S										
		HD														HD	
24S + 10P																	



6600120-3 & 6600120-8 PCB LAYOUT

CODE	TAIL LENGTH
PS	.135

CODE	MATING SEQUENCE	TAIL LENGTH	ROW
E	MLBF	.135	D
F	MLBF	.135	C
G	MLBF	.135	B
H	MLBF	.135	A
J	STD	.135	D
K	STD	.135	C
N	STD	.135	B
S	STD	.135	A

THIS DRAWING IS A CONTROLLED DOCUMENT.

STE TE Connectivity

RIGHT ANGLE HEADER ASSEMBLY W/GUIDES DUAL BEAM XL

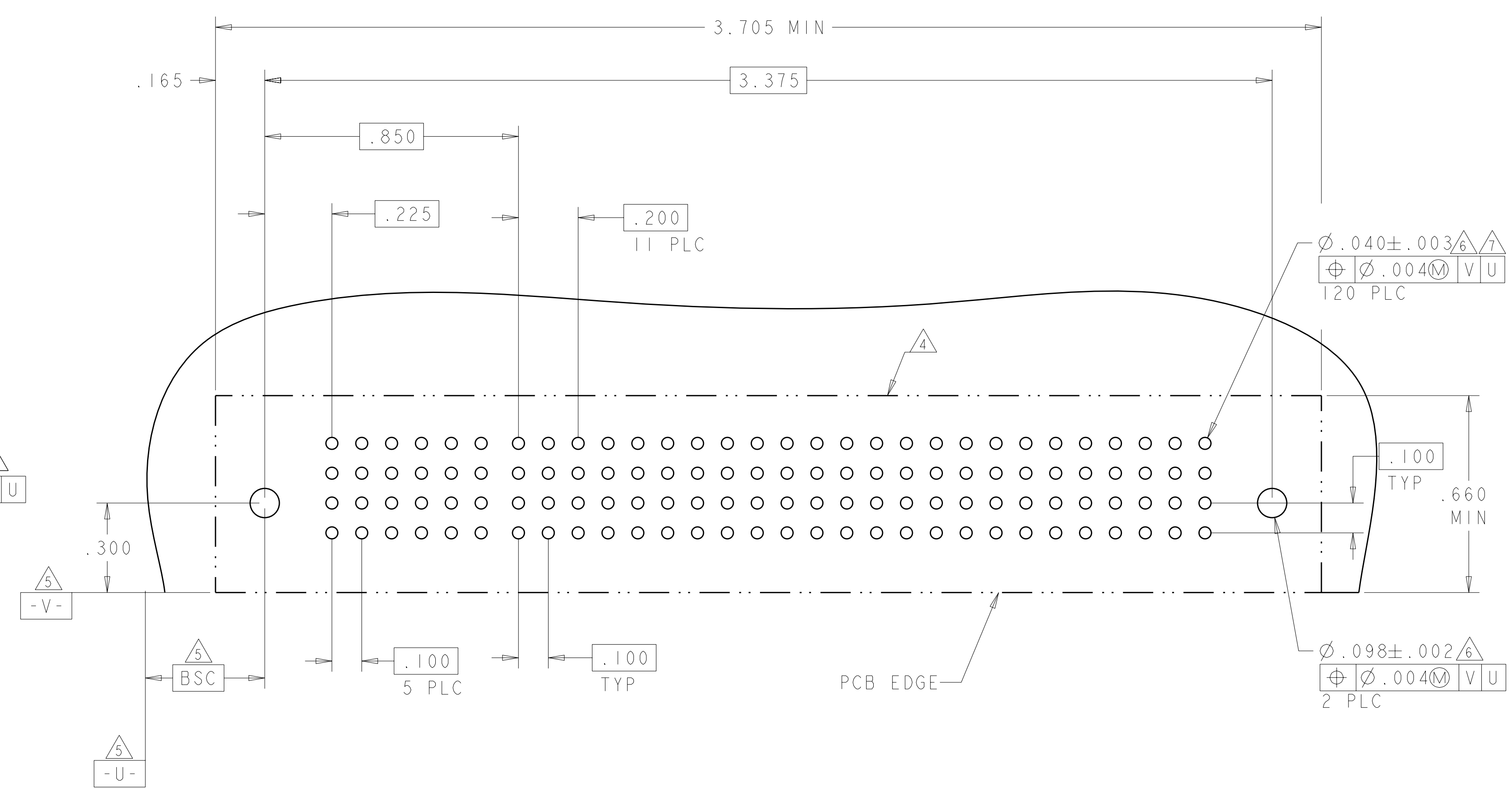
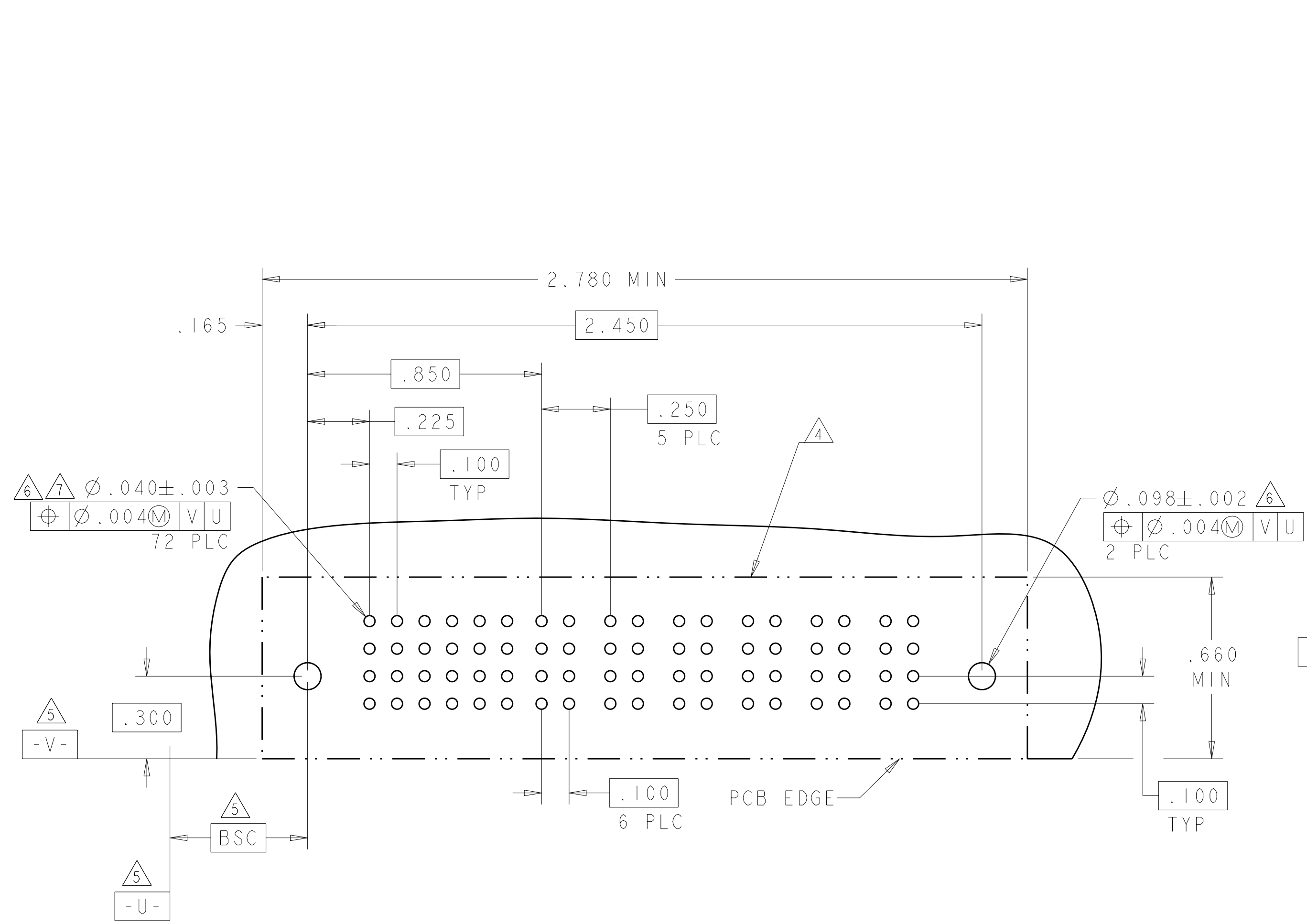
100779C-6600120

SCALE 4:1 SHEET 2 OF 4 REV D

LOC	DIST	REV	DATE	BY	APPD
GP	00				
REVISIONS					
		1			
DESCRIPTION					
SEE SHEET 1					

PART NUMBER	ROWS	SIGNAL						POWER					
		1	2	3	4	5	6	P1	P2	P3	P4	P5	P6
6600120-9	D C B A	J	J	J	J	J	J	PS	PS	PS	PS	PS	PS
		K	K	K	K	F	K						
		N	N	N	N	G	N						
		H	S	S	S	H	S						
24S + 6P													

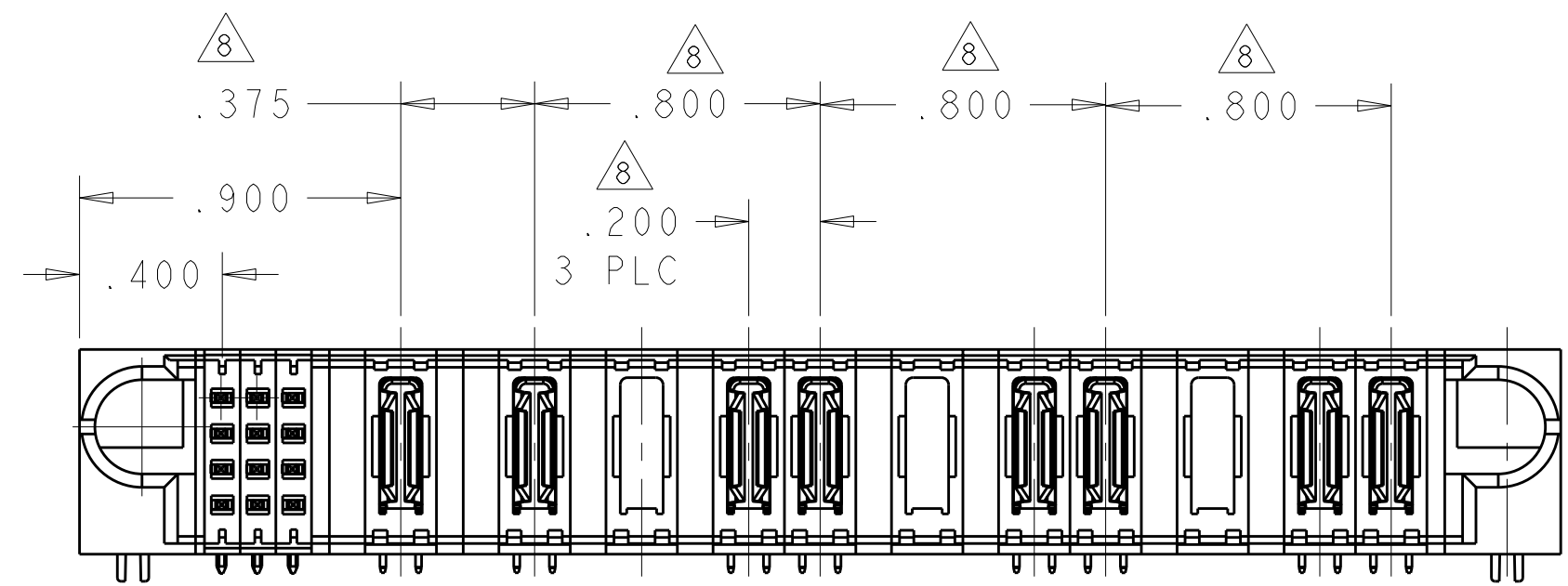
PART NUMBER	ROWS	SIGNAL						POWER												
		1	2	3	4	5	6	P1	P2	P3	P4	P5	P6	P7	P8	P9	P10	P11	P12	
1-6600120-0	D C B A	J	J	J	J	J	E	PS	PS	PS	PS	PS	PS	PS	PS	PS	PS	PS	PS	PS
		K	K	K	F	K	K													
		N	N	N	G	N	N													
		S	H	S	H	S	S													
24S + 12HDP																				



THIS DRAWING IS A CONTROLLED DOCUMENT.

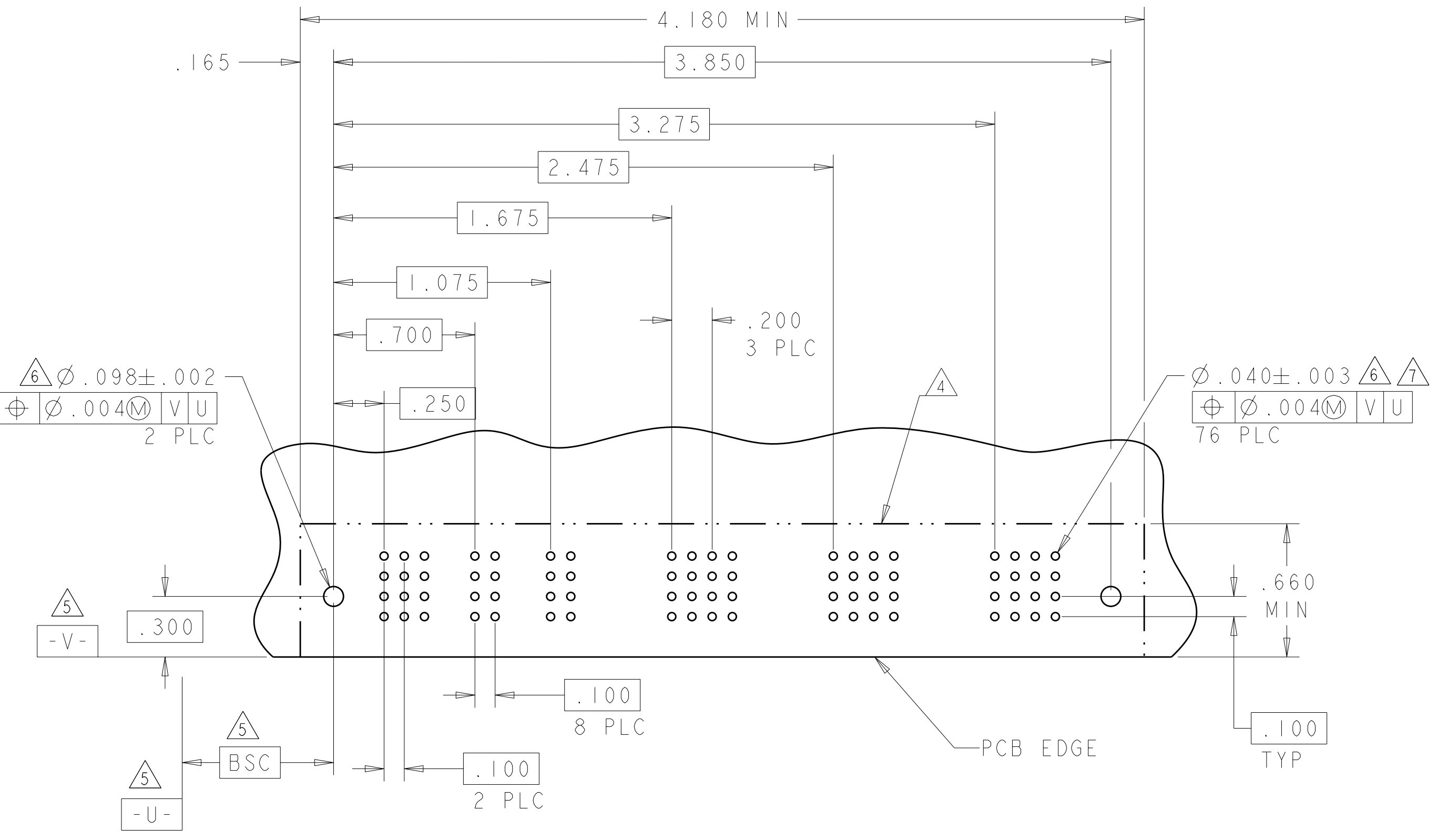
DIMENSIONS: INCHES	TOLERANCES UNLESS OTHERWISE SPECIFIED: 9 PLC ±. 7 PLC ±.01 5 PLC ±.005 4 PLC ±.0020 ANGLES ±.2°	DWN: R. GRZYBOWSKI 13JUN05 CHK: M. PERCHERKE 13JUN05 APPD: M. PERCHERKE	NAME: RIGHT ANGLE HEADER ASSEMBLY W/GUIDES DUAL BEAM XL
MATERIAL: -	FINISH: -	PRODUCT SPEC: 108-1973 APPLICATION SPEC: 114-13038 WEIGHT: -	SIZE: A100779 CAGE CODE: C-6600120 RESTRICTED TO: -
CUSTOMER DRAWING		SCALE: 4:1	SHEET 3 OF 4 REV D

LOC	DIST	REVISIONS			
GP	00	REV	DATE	BY	APPD
		1	SEE SHEET 1		



PART NUMBER	ROWS	SIGNAL			POWER										
		1	2	3	P1	P2	P3	P4	P5	P6	P7	P8	P9	P10	P11
6600120-1	D	J	J	J	PS	PS		PS	PS		PS	PS		PS	PS
	C	K	K	K											
	B	N	N	N											
	A	S	S	S											

NO CONTACTS LOADED



THIS DRAWING IS A CONTROLLED DOCUMENT.		DWN: R. GRZYBOWSKI 13JUN05 CHK: M. PERCHERKE 13JUN05 APVD: M. PERCHERKE	STE TE Connectivity		
DIMENSIONS: INCHES 		TOLERANCES UNLESS OTHERWISE SPECIFIED: 9 PLC ±. 1 PLC ±.01 2 PLC ±.01 3 PLC ±.005 4 PLC ±.0020 ANGLES ±.2°		NAME: RIGHT ANGLE HEADER ASSEMBLY W/GUIDES DUAL BEAM XL PRODUCT SPEC: 108-1973 APPLICATION SPEC: 114-13038 WEIGHT: - CUSTOMER DRAWING	
MATERIAL: -		FINISH: -		SIZE: A100779 CAGE CODE: C=6600120 SCALE: 4:1 SHEET 4 OF 4 REV D	