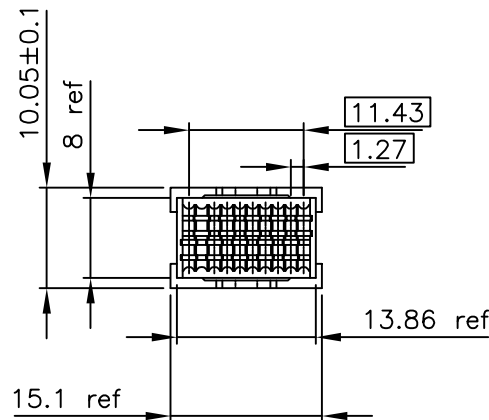
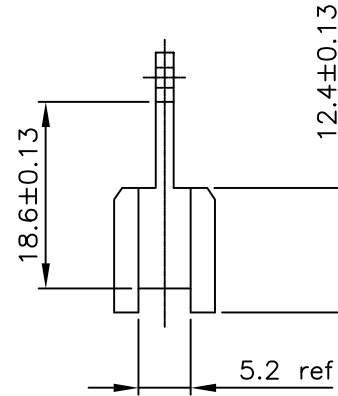
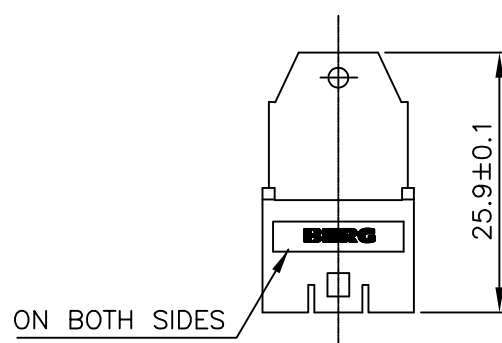


PRODUCT NUMBER	Nø of POS	COLOUR
65147-001	2x5	BLACK

NOTES:-

1. THIS PRODUCT MEETS EUROPEAN UNION DIRECTIVES AND OTHER COUNTRY REGULATIONS AS DESCRIBED IN GS-22-008.
2. LEADFREE OR RoHS DIRECTIVE LABELLING TO BE PROVIDED AS PER GS-14-920.
3. " LF " SUFFIX TO PRODUCT NUMBER FOR RoHS COMPATIBLE/ LEADFREE VERSION.
4. PARTS WITH AND WITHOUT "LF" SUFFIX ARE FORM-FIT AND FUNCTIONALLY IDENTICAL. " LF " SUFFIX PROVIDED FOR PART NUMBER STANDARDISATION OF PART THAT MEETS RoHS REQUIREMENTS.



MATERIAL: THERMOPLASTIC POLYESTER 30% GLASS FILLED
FLAME RETARDANT PER UL-94-V0

mat'l. code		surface		tolerance		projection		product family	
see note		ISO 1302		ISO 406		ISO 1101		Backpanel	
ltr	ecn no	dr	date	tolerances unless otherwise specified		mm		title	
C	H30656	MVI	1993-09-28	angles		linear		PIERCE COVER	
D	105-0248	MINI	2005-11-22					FLATCABLE Female 2R	
E	106-0068	KR	2006-06-01			scale 2:1		dwg no	
				dr		M. Visschers		1993-09-28	
				engr		M. Loman		1993-09-28	
				chr		RAKHEE GEORGE		2006-06-01	
				app		RAKHEE GEORGE		2006-06-01	
sheet		revision		E		FCJ		sheet 1 of 1	
index		sheet		1				size	
								65147	
								A3	
								type	
								CUSTOMER Drawing	



FCIconnect.com

Copyright FCI