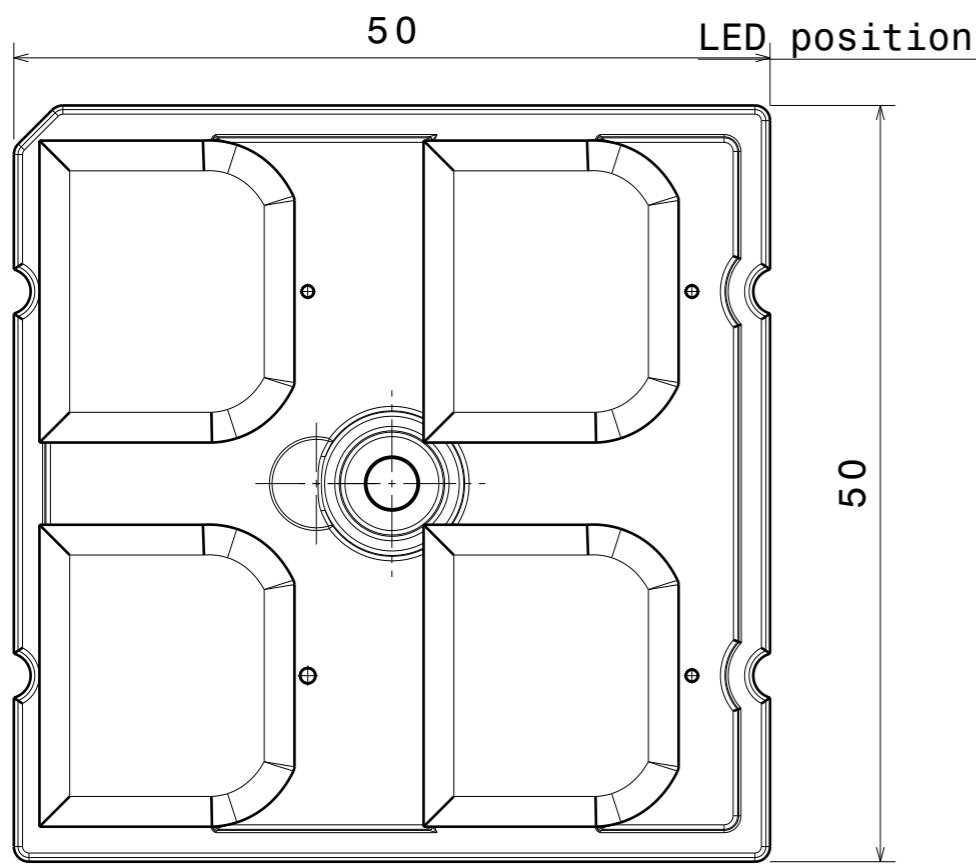
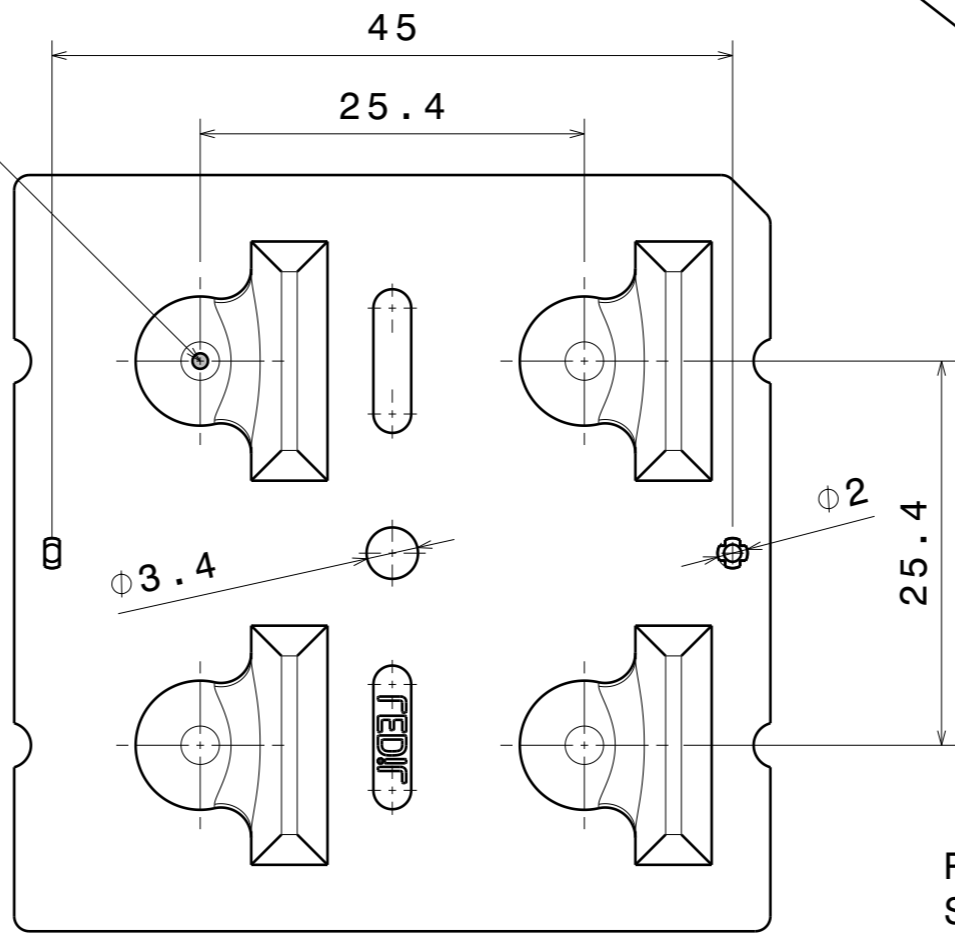


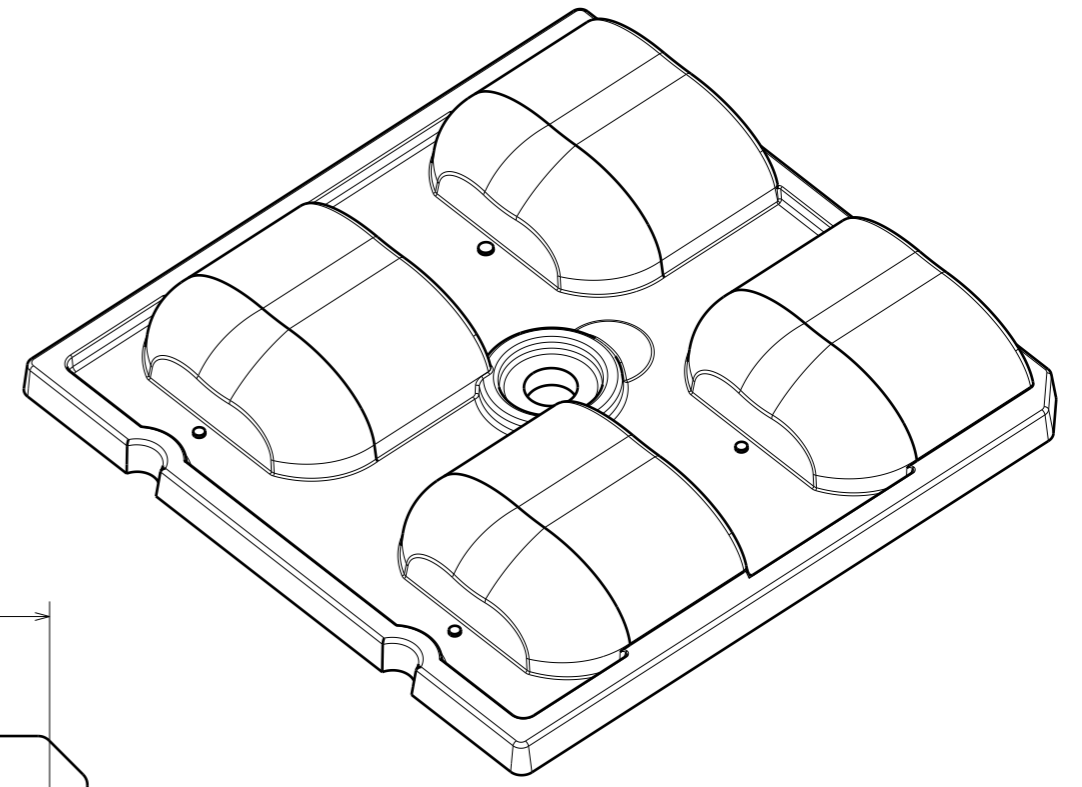
Bottom view
Scale: 2:1



Front view
Scale: 2:1



Rear view
Scale: 2:1



Isometric view
Scale: 2:1

Tolerances if not otherwise shown
According to DIN ISO 2768-1
Linear measures:
Up to 30mm class M, otherwise class C.
According to DIN ISO 2768-2
Form and position: class L

LEDiL LediL Oy
Salorankatu 10
FIN 24240 SALO
Finland

THIRD ANGLE PROJECTION:

DRAWING TITLE
Datasheet_STRADA-2X2-T2-C

This drawing is the property of LEDiL Oy. It may not be reproduced, copied or communicated without a written agreement with LEDiL Oy.

SIZE	PART NUMBER		
A3	C15292		

SCALE	2:1	WEIGHT	g	SHEET	1/1
-------	-----	--------	---	-------	-----