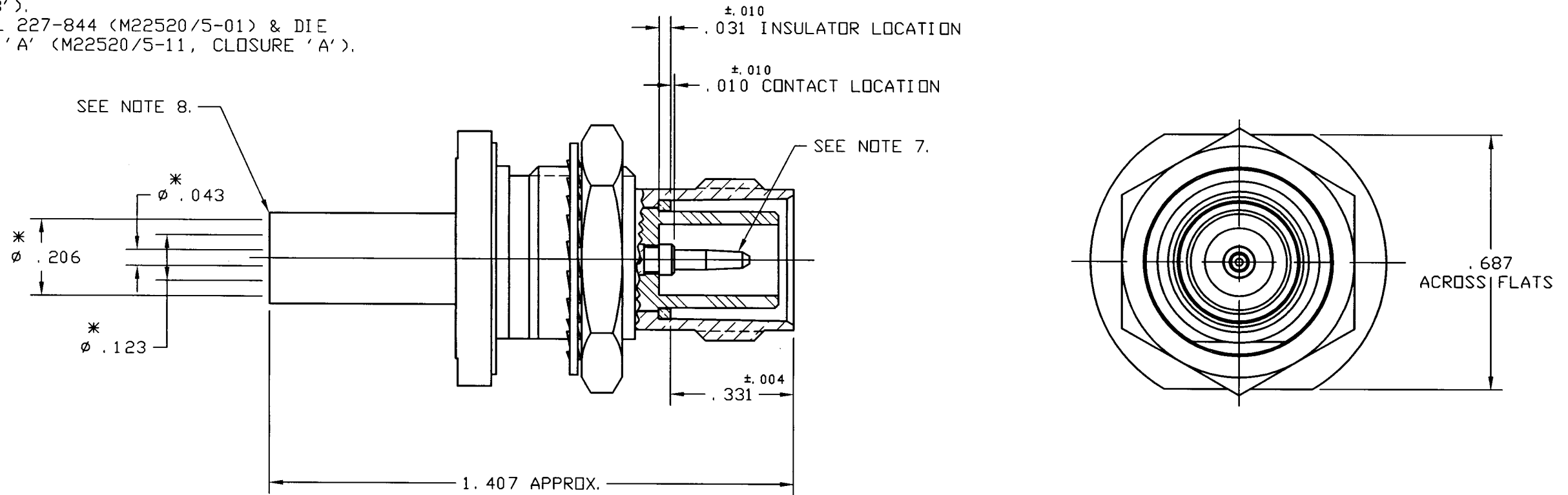


NOTES:

- DO NOT SCALE THIS DRAWING.
- REMOVE ALL BURRS, BREAK SHARP EDGES AND CORNERS .005 MAXIMUM, UNLESS OTHERWISE SPECIFIED.
- UNLESS OTHERWISE SPECIFIED, ALL DIMENSIONS ARE AFTER PLATING.
- PLATING MUST CONFORM TO AMPHENOL SPEC. 349-50560.
- ASTERISK (\*) INDICATES CABLE ENTRY DIM'S.
- THIS CONNECTOR CAN ALSO BE USED WITH CABLES RG58/U, RG58A/U, RG58B/U & RG141/U.
- CUSTOMER NOTE: WHEN SOLDERING CONTACT TO CABLE, ROSIN CORE (60% TIN, 40% LEAD) SOFT SOLDER PER QQ-S-571 IS RECOMMENDED. WHEN CRIMPING CONTACT TO CABLE, CRIMP WITH AMPHENOL TOOL 227-944 (M22520/5-01) & DIE SET 227-1221-11, CAVITY 'B' (M22520/5-11, CLOSURE 'B').
- CRIMP WITH AMPHENOL TOOL 227-844 (M22520/5-01) & DIE SET 227-1221-11, CAVITY 'A' (M22520/5-11, CLOSURE 'A').

31-5687		REVISIONS			
DRAWING NO.	REV	DESCRIPTION	DATE	ECO	APPR
THIRD ANGLE PROJ.	A	OFFICIAL ENG. RELEASE TO MFG.	7/13/94	40112	CPM/RAV
	B	SEE SHEET 1	5/5/99	42966	CPM/



CUSTOMER OUTLINE DWG

UNLESS OTHERWISE SPECIFIED, DIMENSIONS ARE IN INCHES AND TOLERANCES ARE: 2 PLACE DECIMAL ±.015 (0,381 mm)    3 PLACE DECIMAL ±.005 (0,127 mm)    ANGLES ± 1°	MATERIAL	DRAWN C. McGRATH	DATE 6/29/94	TITLE TNC BULKHEAD REVERSE INTERFACE FOR RG-58 & 141/U CABLE	<b>Amphenol</b> Amphenol Corporation RF/Microwave Operations Danbury, Conn. U. S. A. 06810
	REFERENCE TELXON EAR 964307-0	ENGINEER R. VACCARD	DATE 7/7/94		
NOTICE - These drawings, specifications, or other data (1) are, and remain the property of Amphenol Corp. (2) must be returned upon request; and (3) are confidential and not to be disclosed to any person other than those to whom they are given by Amphenol Corp. The furnishing of these drawings, specifications, or other data by Amphenol Corp., or to any other person to anyone for any purpose is not to be regarded by implication or otherwise in any manner licensing, granting rights or permitting such holder or any other person to manufacture, use or sell any product, process or design, patented or otherwise, that may in any way be related to or disclosed by said drawings, specifications, or other data.	CAD FILE H:\DEPT611\TNC\031\ASSY\5687SHT2	CODE ID 74868	DWG SIZE B	DRAWING NO. 31-5687	SCALE: 3:1    SHEET 2 OF 2    ISSUE B