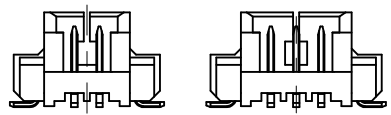
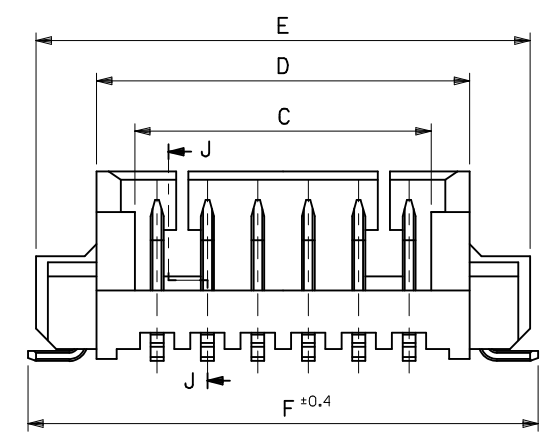


注記 NOTES

- 嵌合相手: 51021 シリーズ MATE WITH : 51021 SERIES
- 水平面上においての、ウエハー底面 [W] とソルダーテール及びフィッティングネイル底面とのズレ量を示す。  
MISALIGNMENT OF SOLDER TAIL & FITTING NAIL FROM [W]
- 偶数極にのみ適用。APPLY EVEN CIRCUIT PRODUCTS.
- ロック窓は、2、3極は1ヶ所、4極以上は2ヶ所とする。  
LOCKING WINDOW : ONE PLACE FOR 2&3 CKTS. TWO PLACES FOR MORE THAN 4 CKTS.
- 材質 MATERIAL PA, UL94V-0 COLOR:NATURAL  
ウエハー : WAFER  
ピン : リン青銅  
PIN : PHOS-BRO  
: 錫メッキ 1.0 マイクロメートル以上  
: MATTE TIN 1.0 MICROMETER MINIMUM  
: ニッケル下地 1.0 マイクロメートル以上  
: NICKEL(UNDER PLATING) 1.0 MICROMETER MINIMUM  
金具 FITTING NAIL : リン青銅  
: PHOS-BRO  
: 錫メッキ 1.0 マイクロメートル以上  
: MATTE TIN 1.0 MICROMETER MINIMUM  
: ニッケル下地 1.0 マイクロメートル以上  
: NICKEL(UNDER PLATING) 1.0 MICROMETER MINIMUM
- 本製品は 53398-\*\*10 の鉛フリー品である。  
THIS PRODUCT IS LEAD FREE OF 53398-\*\*10.
- ソルダーテール及び金具の平坦度は0.1以下。  
SOLDER TAIL & FITTING NAIL COPLANARITY TO BE 0.1 MAX.
- ELV及びRoHS適合品  
ELV AND RoHS COMPLIANT.



△ ロック形状図 LOCK CONFIGURATION



REVISED EC NO: J2017-0403 DRWN:SOBARA01 2017/01/24 CHK:DAIDA 2017/01/31 APPR:TKANEKO 2017/02/01	GENERAL TOLERANCES (UNLESS SPECIFIED)		DIMENSION STYLE MM ONLY		SCALE 8:1	MODEL NO. 53398-**19
	0.25 UNDER	UNDER	±0.03	DRAWN BY MNINOMIYA	DATE 04/02/06	TITLE PICOBLADE 1.25 HEADER ASSY SMT ST TYPE
	0.25 OVER	0.5 UNDER	±0.05	CHECKED BY KTOJO	DATE 04/02/06	THIRD ANGLE PROJECTION <b>molex</b> DOCUMENT NO. SD-53398-032 SHEET NO. 1 OF 2
	0.5 OVER	1.0 UNDER	±0.1	APPROVED BY MSASAO	DATE 04/02/06	
1.0 OVER	10 UNDER	±0.2	MATERIAL NO.		SEE CHART	
10 OVER	30 UNDER	±0.25	SIZE A3			
30 OVER		±0.3	DRAFT WHERE APPLICABLE MUST REMAIN WITHIN DIMENSIONS			

10 9 8 7 6 5 4 3 2 1

F

F

E

E

D

D

C

C

B

B

A

A

23.9	23.5	20.5	18.6	19.3	17.5	53398-1571	15
22.65	22.25	19.25	17.35	18.05	16.25	53398-1471	14
21.4	21	18	16.1	16.8	15	53398-1371	13
20.15	19.75	16.75	14.85	15.55	13.75	53398-1271	12
18.9	18.5	15.5	13.6	14.3	12.5	53398-1171	11
17.65	17.25	14.25	12.35	13.05	11.25	53398-1071	10
16.4	16	13	11.1	11.8	10	53398-0971	9
15.15	14.75	11.75	9.85	10.55	8.75	53398-0871	8
13.9	13.5	10.5	8.6	9.3	7.5	53398-0771	7
12.65	12.25	9.25	7.35	8.05	6.25	53398-0671	6
11.4	11	8	6.1	6.8	5	53398-0571	5
10.15	9.75	6.75	4.85	5.55	3.75	53398-0471	4
8.9	8.5	5.5	3.6	4.3	2.5	53398-0371	3
7.65	7.25	4.25	2.35	3.05	1.25	53398-0271	2
F	E	D	C	B	A	EMBOSSED TAPE PKG. (HIGH BARRIER PKG.) ORDER No.	種数 No. of &T's.

CONNECTOR SERIES NO. 53398-\*\*\*19

<b>REVISED</b> EC NO: J2017-0403 DRWNS0BARA01 2017/01/26 CHKDAIDA 2017/01/31 APPR:TKANEKO 2017/02/01	GENERAL TOLERANCES (UNLESS SPECIFIED)			DIMENSION STYLE <b>MM ONLY</b>		SCALE <b>8:1</b>	DESIGN UNITS <b>METRIC</b>	THIRD ANGLE PROJECTION	
	0.25 UNDER	UNDER	±0.03	DRAWN BY	DATE	TITLE			
	0.25 OVER	0.5 UNDER	±0.05	MNINOMIYA	04/02/06	<b>PICOBLADE 1.25                  HEADER ASSY                  SMT ST TYPE</b>			
	0.5 OVER	1.0 UNDER	±0.1	CHECKED BY	DATE				
	1.0 OVER	10 UNDER	±0.2	KTOJO	04/02/06	<b>molex</b>			
	10 OVER	30 UNDER	±0.25	APPROVED BY	DATE				
30 OVER		±0.3	MSASAO	04/02/06	MATERIAL NO.	DOCUMENT NO.	SHEET NO.		
ANGULAR	±3 °		<b>SEE CHART</b>		<b>SD-53398-032</b>		<b>2 OF 2</b>		
DRAFT WHERE APPLICABLE MUST REMAIN WITHIN DIMENSIONS				SIZE <b>A3</b>	THIS DRAWING CONTAINS INFORMATION THAT IS PROPRIETARY TO MOLEX ELECTRONIC TECHNOLOGIES, LLC AND SHOULD NOT BE USED WITHOUT WRITTEN PERMISSION				

9 8 7 6 5 4 3 2 1