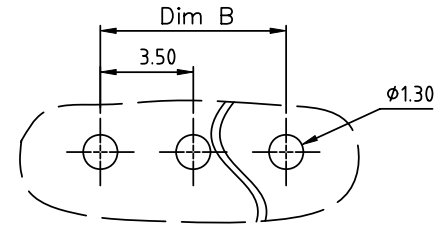
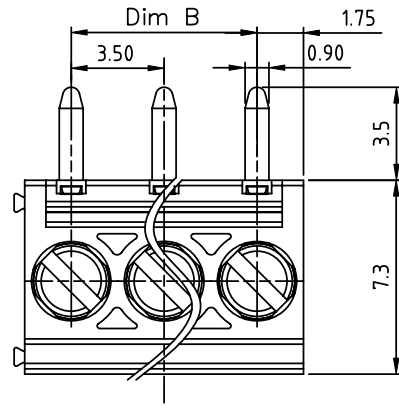


PRODUCT NUMBER	PITCH
ERxx01x100J0G	3.50 mm



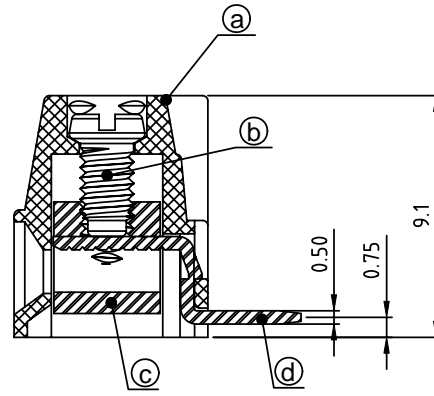
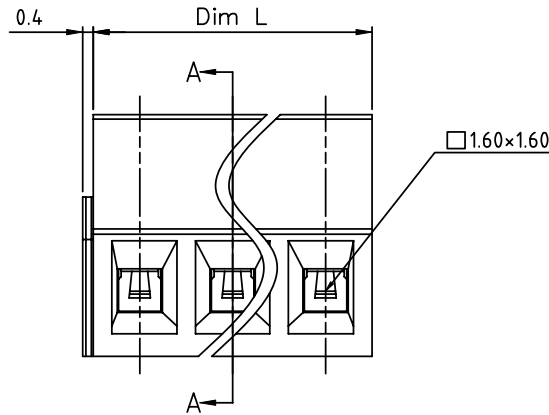
RECOMMENDED P.C.B LAYOUT
TOP VIEW

Material

- Item Ⓐ Terminal housing : Thermoplastic (UL94V-0)
- Item Ⓑ Terminal screw : Steel Zinc plating "-" slot type
- Item Ⓒ Clamp : Brass, Ni plated
- Item Ⓓ solder pin : Brass, Tin plated

Electrical cULus

- Voltage rating: 300VAC
- Current rating: 10A
- Wire range:
- Solid wire(AWG): 16-24
- Stranded wire(AWG): 16-24
- Torque(Lb-In): 1.7
- Screw: M2
- Wire strip length: 5-6mm
- Withstanding Voltage: 1.6KV
- Operating temperature: -40°C to +115°C
- Soldering temperature: 260°C±5°C/5 Sec
- Safety Approval: cULus



SECTION A-A

DIMENSION

Dim L	N×3.50
Dim B	(N-1)×3.50

N=Number of poles

Poles	Tolerance
2p-5p	±0.10
6p-10p	±0.15
11p-15p	±0.20
16p-20p	±0.25
21p-24p	±0.30

PART NO.: ER xx 01 x 1 00J0 G

	Color	RoHS compliant
End stackable 0	Black (RAL9005)	(lead<4%)
No. of poles 2	Red (RAL3001/D)	In copper Alloy
02 2 poles 3	Orange(RAL2011/P)	
03 3 poles 4	Yellow(RAL1018/A)	
... .. 5	Green(RAL6018/T)	
24 24 poles 6	Blue (RAL5015/A)	
	8 Grey(RAL7035/D)	
	9 White(RAL1102)	
	C Green(RAL6018/U)	

mat'l. code		surface ASME Y14.5	tolerance ASME Y14.5	projection	product family TERMINAL BLOCK
ltr	ecn no	dr	date	tolerances unless otherwise specified	title TERMINAL BLOCK
				angles X°±1'	MM
				scale	RISING CLAMP,90D WIRE INLET
		dr	EVIN ZHONG	040714	dwg no
		enrg	EVIN ZHONG	040714	sheet 1 of 1
		chr	HANKE FENG	040714	size A4
		appd	SHI JUN	040714	ERxx01x100J0G
					type CUSTOMER Drawing
sheet index	revision sheet	A	1		