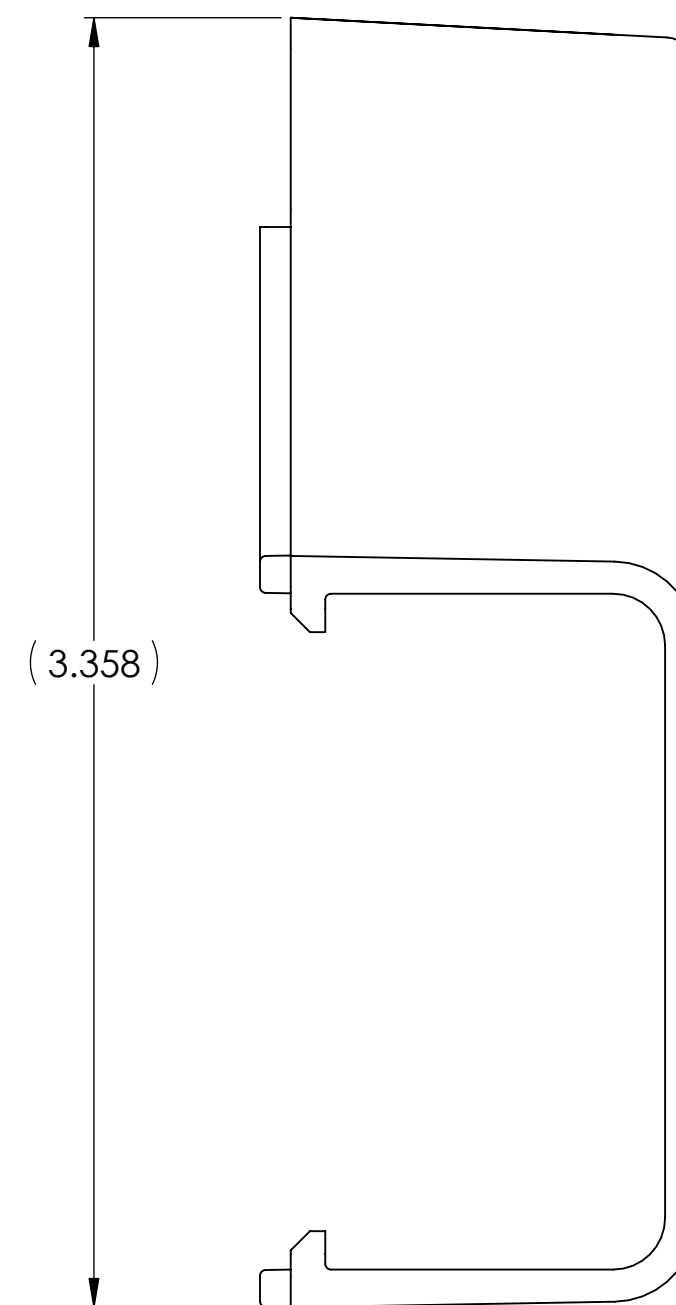
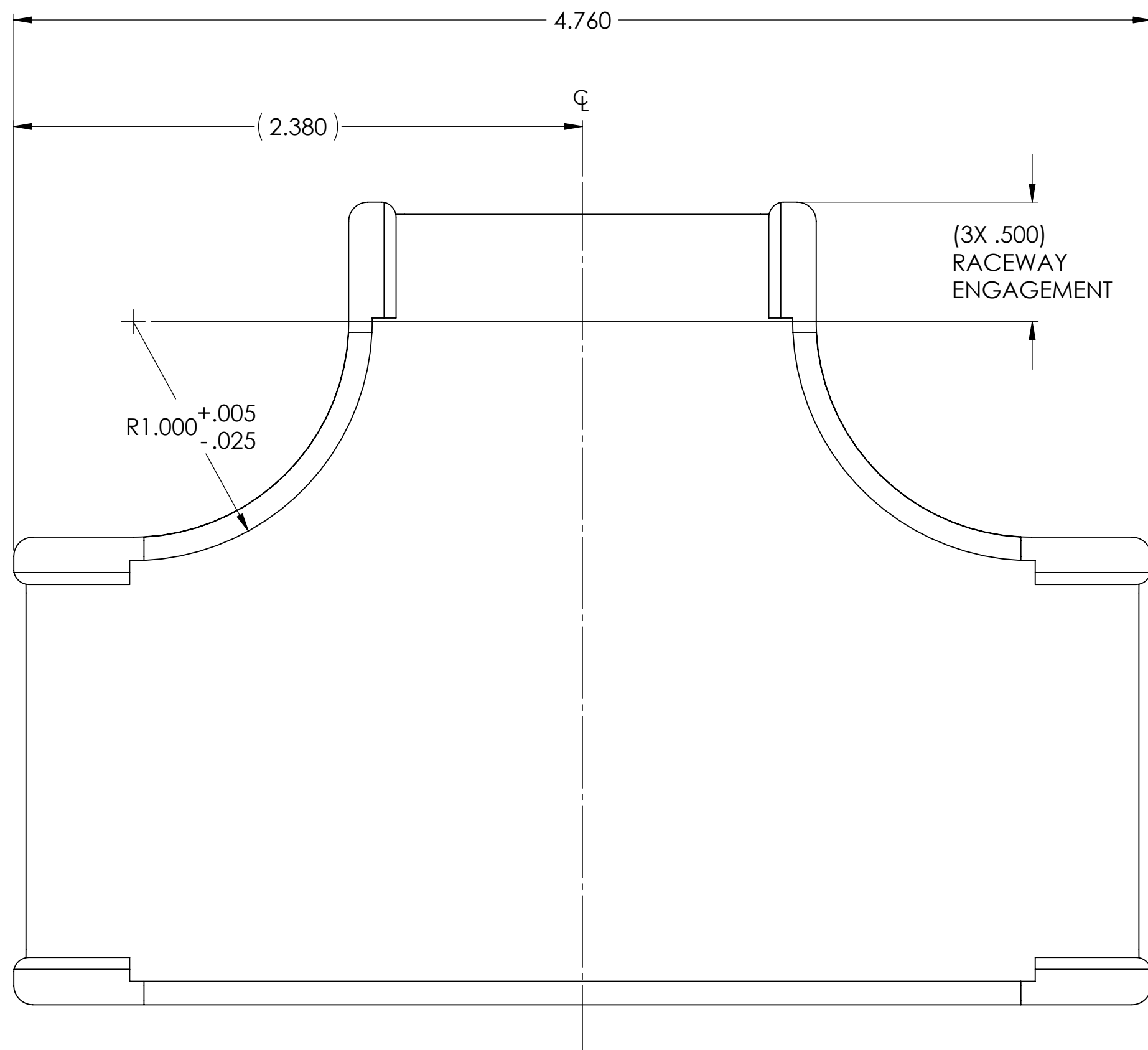


SCALE 1:1



**PART NO. DESCRIPTION**

TSR3\_-21-1

COLOR:  
 I = IVORY  
 FW = OFFICE WHITE  
 W = WHITE  
 (FOR OTHER COLORS  
 CONTACT FACTORY)

REDUCED  
 NO SCALE

INVENTORS

**HellermannTyton®**

ALL PROPRIETARY RIGHTS IN THE SUBJECT MATTER SHOWN ON THIS DRAWING ARE EXCLUSIVE PROPERTY OF HELLERMANN TYTON

name	date	city, state

NOTES

- PART IS SYMMETRICAL ABOUT  $\phi$ .
- THIS PART MATES WITH (3) TSR3 RACEWAYS.

REVISIONS

REV	DATE	BY	DESCRIPTION
02	01/02/03	PLN	

DIMENSIONS

TOLERANCES	UNITS
.xxxx = ± .0005	inches
.xxx = ± .005	
.xx = ± .01	
.x = ± .03	
∠ = ± 0.5°	
unless otherwise specified	

PART

number	TSR3_-21-1	phase	PRODUCTION
name	TSR3-21-1 1 3/4" TEE WITH 1" MIN BEND RADIUS		
material	PVC		

DRAWING

format	version	N	CAD	SW	scale
					2:1
computer file number	DT3032006CST_02		previous number	DT\CST\3032006A	
drawn	J. STOLZ	checked	KAC	approved	
date	03/25/96	date	02/26/03		
type	CUSTOMER			sheet	1 of 1
number	DT3032006CST				