

4

3

2

1

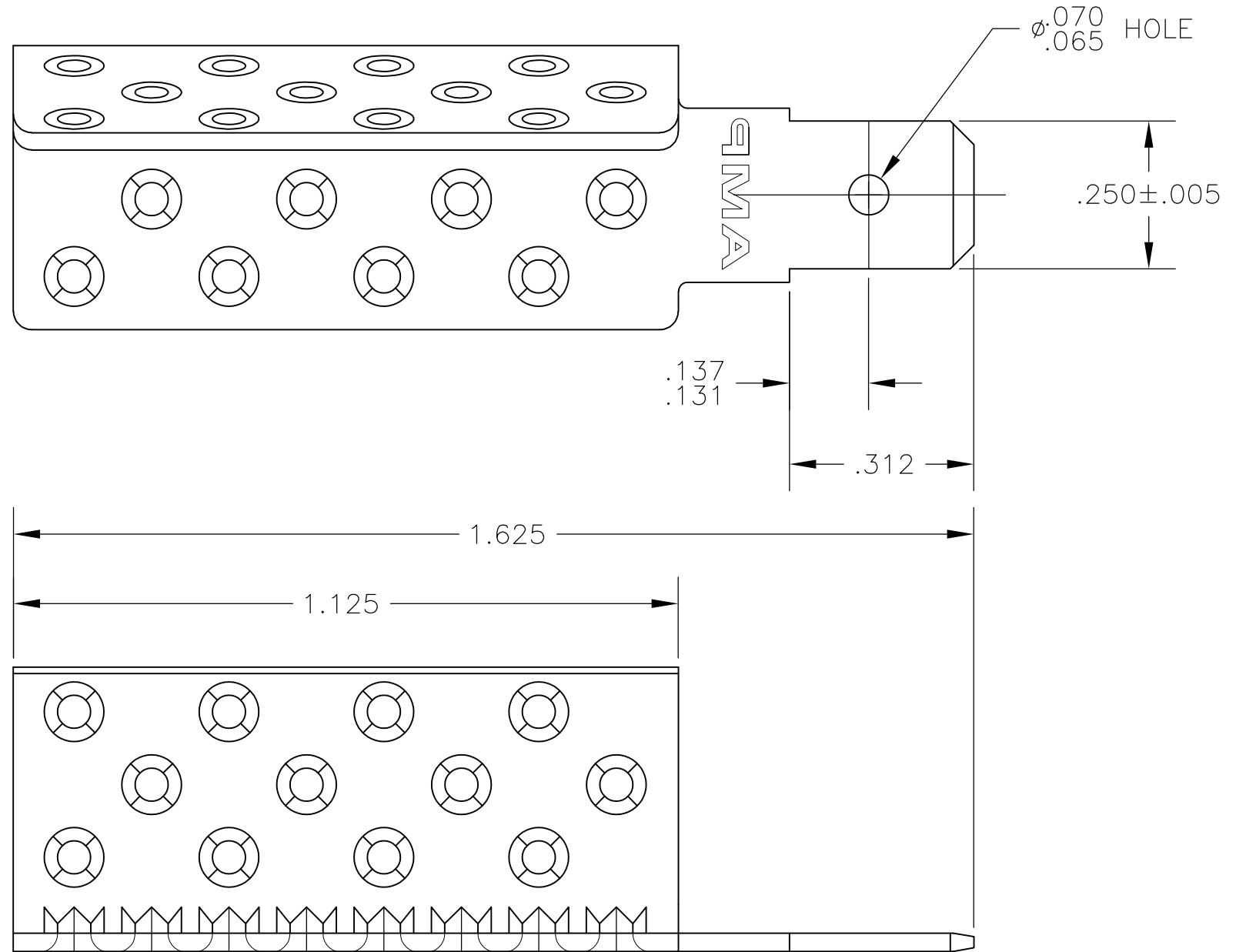
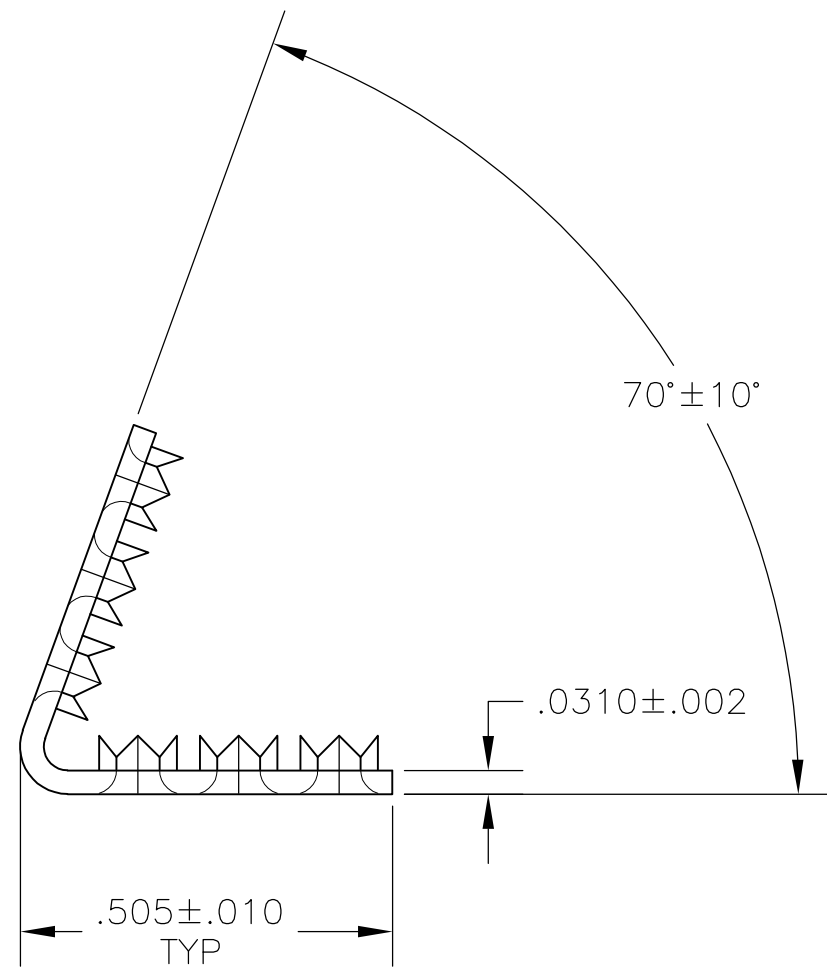
THIS DRAWING IS UNPUBLISHED.

RELEASED FOR PUBLICATION

© COPYRIGHT BY TYCO ELECTRONICS CORPORATION. ALL RIGHTS RESERVED.

LOC	DIST	REVISIONS					
G	86	P	LTR	DESCRIPTION	DATE	DWN	APVD
		F2		REV PER ECR 10-004633	02MAR10	JR	RL

- △1 TIN PLATE PER ASTM B-545
- △2 TIN PLATE PER ASTM B-545, ANNEALED



SUPERSEDED BY 51943

△2 51943-2-

△1 51943

PART NO.

THIS DRAWING IS A CONTROLLED DOCUMENT.		DWN jr_ruth 20JUN05	Tyco Electronics Corporation Harrisburg, Pa 17105-3608													
DIMENSIONS: INCHES		CHK MJ SPICER 20JUN05	NAME													
TOLERANCES UNLESS OTHERWISE SPECIFIED:		APVD MJ SPICER 20JUN05	TERMI-FOIL 250 FASTON TAB													
<table border="0"> <tr><td>0 PLC</td><td>± -</td></tr> <tr><td>1 PLC</td><td>± -</td></tr> <tr><td>2 PLC</td><td>± -</td></tr> <tr><td>3 PLC</td><td>± .008</td></tr> <tr><td>4 PLC</td><td>± -</td></tr> <tr><td>ANGLES</td><td>± 5°</td></tr> </table>		0 PLC	± -	1 PLC	± -	2 PLC	± -	3 PLC	± .008	4 PLC	± -	ANGLES	± 5°	PRODUCT SPEC	SIZE	
0 PLC	± -															
1 PLC	± -															
2 PLC	± -															
3 PLC	± .008															
4 PLC	± -															
ANGLES	± 5°															
MATERIAL COPPER ASTM B-152		FINISH SEE TABLE	APPLICATION SPEC	CAGE CODE A300779												
		WEIGHT -	DRAWING NO C-51943	RESTRICTED TO												
		CUSTOMER DRAWING		SCALE 1:1												
				SHEET 1 OF 1												
				REV F2												