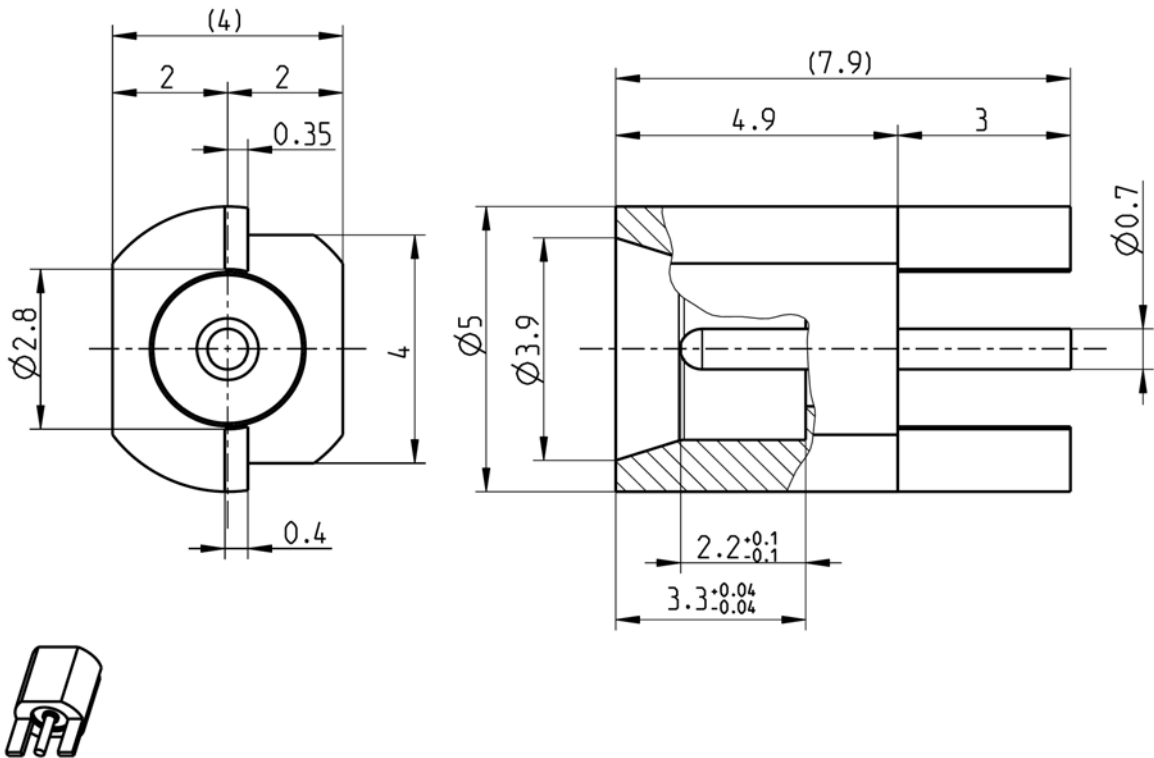


Longwipe-SMP

RIGHT ANGLE PLUG PCB
SMOOTH BORE

17S244-40ML5



All dimensions are in mm; tolerances acc. to ISO 2768 mH

Interface

Related to
According to

SMP: MIL-STD-348A, Fig. 326
Rosenberger Longwipe SMP

Documents

PCB layout
Tape & reel packaging

B 125b
VG38.1M500

Material and Plating

Connector parts

Center contact
Outer contact
Dielectric

Material

Brass
Brass
PTFE

Plating

AuroDur®, gold plated
AuroDur®, gold plated

Dieses Dokument ist urheberrechtlich geschützt • This document is protected by copyright • Rosenberger Hochfrequenztechnik GmbH & Co. KG

RF_35/05.10/6.0

Technical Data Sheet

Rosenberger

Longwipe-SMP

RIGHT ANGLE PLUG PCB
SMOOTH BORE

17S244-40ML5

Electrical Data

Impedance	50 Ω
Frequency	DC to 6 GHz
Return loss	≥ 28 dB, DC to 3 GHz ≥ 23 dB, 3 to 6 GHz
Insertion loss	≤ 0.1 x $\sqrt{f(\text{GHz})}$ dB
Insulation resistance	≥ 5 GΩ
Center contact resistance	≤ 6.0 mΩ
Outer contact resistance	≤ 2.0 mΩ
Test voltage	500 V rms
Working voltage	335 V rms (sea level)

- VSWR in application depends decisive on PCB layout -

Mechanical Data

Mating cycles	≥ 500
Center contact captivation:	≥ 7 N
Engagement force	
- smooth bore	9 N max.
Disengagement force	
- smooth bore	2.2 N min.

Environmental Data

Temperature range	-65°C to +155°C
Thermal shock	MIL-STD-202, Method 107, Condition B
Vibration	MIL-STD-202, Method 204, Condition B
Shock	MIL-STD-202, Method 213, Condition A
Moisture resistance	MIL-STD-202, Method 106
Max. soldering temperature	IEC 61760-1, +260°C for 10 sec.
RoHS	compliant

Tooling

N/A

Suitable Cables

N/A

Weight

Weight 0.45 g/pce

While the information has been carefully compiled to the best of our knowledge, nothing is intended as representation or warranty on our part and no statement herein shall be construed as recommendation to infringe existing patents. In the effort to improve our products, we reserve the right to make changes judged to be necessary.

Draft	Date	Approved	Date	Rev.	Engineering change number	Name	Date
Chr. Entfellner	25.02.08	Sa. Krautenbacher	11.03.14	e00	14-0352	T. Krojer	11.03.14
Rosenberger Hochfrequenztechnik GmbH & Co. KG P.O.Box 1260 D-84526 Tittmoning Germany www.rosenberger.de				Tel. : +49 8684 18-0 Fax : +49 8684 18-499 Email : info@rosenberger.de			Page 2 / 2