

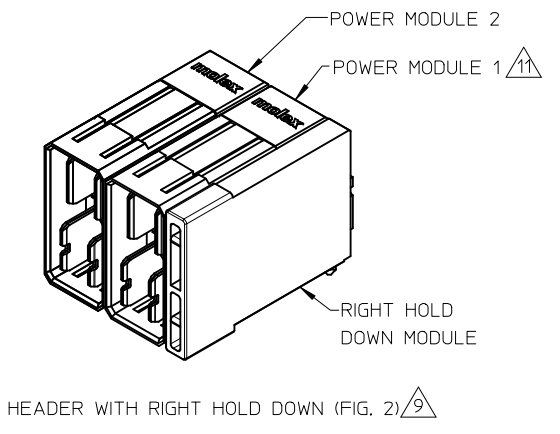
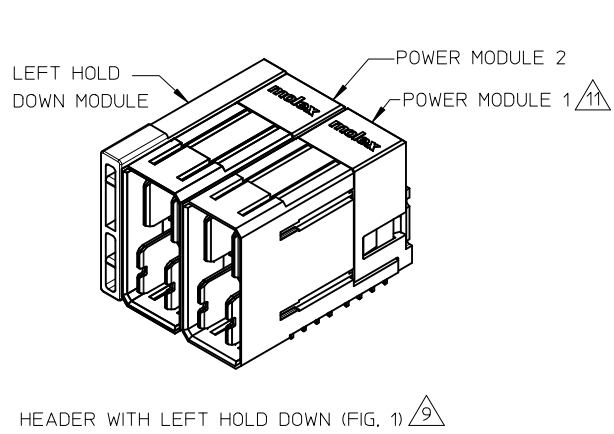
HEADER WITH LEFT HOLD DOWN (FIG. 1)				
PART NUMBER	NUMBER OF POWER MODULES	*DIM A*	PLATING OPTION	LEFT HOLD DOWN MODULE LOCATION ⁹
78351-100*	1X	15.00	TIN	REFER TO SHEET 2 FOR DETAILS
78351-10**	2X	26.40		

HEADER WITH RIGHT HOLD DOWN (FIG. 2)				
PART NUMBER	NUMBER OF POWER MODULES	*DIM A*	PLATING OPTION	RIGHT HOLD DOWN MODULE LOCATION ⁹
78351-200*	1X	15.00	TIN	REFER TO SHEET 3 FOR DETAILS
78351-20**	2X	26.40		

78351-*0**

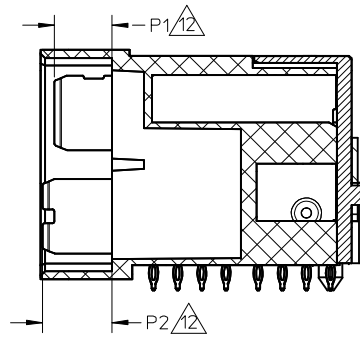
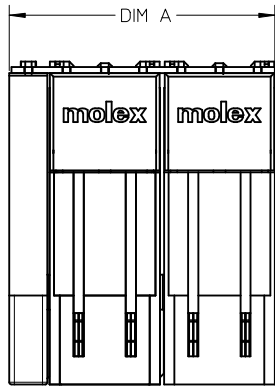
PLATING OPTION	HOLD DOWN MODULE LOCATION	*	POWER MODULE 2		POWER MODULE 1 ¹¹		
			BLADE LENGTH		*	BLADE LENGTH	
TIN	LEFT	1	MODULE NOT PRESENT				
	RIGHT	2					
			*	P1	P2		
			0	6.90	6.90		
			1	5.70	5.70		
			2	6.90	5.70		
			3	5.70	6.90		
			4				

- NOTES:
- MATERIALS:
HOUSING - HIGH TEMP. THERMOPLASTIC, GLASS FILLED, UL94-V0,COLOR:BLACK.
POWER PIN - COPPER ALLOY.
 - FINISH:
POWER CONTACTS
0.76 μ m MINIMUM GOLD AT CONTACT AREA AND
2.54 μ m MINIMUM TIN AT SOLDER TAIL AREA
OVER 1.27 μ m MINIMUM NICKEL UNDERPLATE.
 - PRODUCT SPECIFICATION: PS-78213-001.
 - COMPONENT STAY AWAY ZONE FROM CONNECTOR.
 - REFER TO MOLEX PRODUCT SPECIFICATION PS-78213-001 FOR PLATED THROUGH-HOLE SPECIFICATIONS AND TORQUE FORCE.
 - MATES WITH 78216-****.
 - PART NUMBER AND YEAR-DAY CODE. CAN BE AT THE OPPOSITE SIDE.
 - ADD 11.4mm FOR EACH ADDITIONAL POWER MODULE.
 - THE DETAILS FOR LEFT & RIGHT HOLD DOWN OPTION ARE SHOWN IN SHEET 2 AND SHEET 3 RESPECTIVELY.
 - CONNECTORS ARE PACKED IN A TRAY.
 - FIRST POWER MODULE (#1) START FROM THE RIGHT.
 - REFER TO SD-78215-002 FOR DETAILS OF THE POWER MODULE.
 - ALL PARTS ARE SHIPPED WITH A 2-32 TYPE AB SELF-TAPPING SCREW PART NUMBER 73726-0000.
 - PACKAGING SPECIFICATION:
PK-78351-001 (1X MODULE WITH HOLD DOWN MODULE)
PK-78351-002 (2X MODULE WITH HOLD DOWN MODULE)

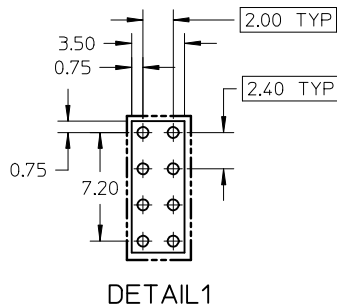
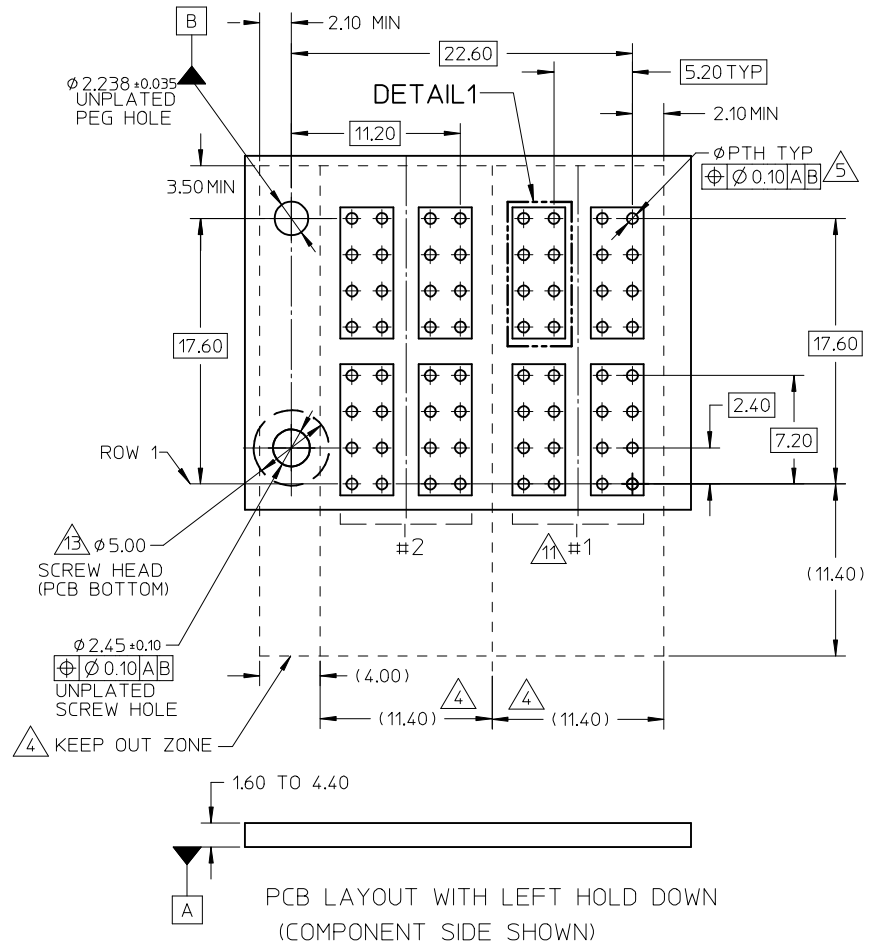
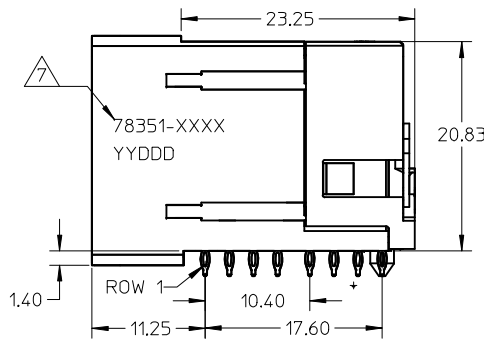
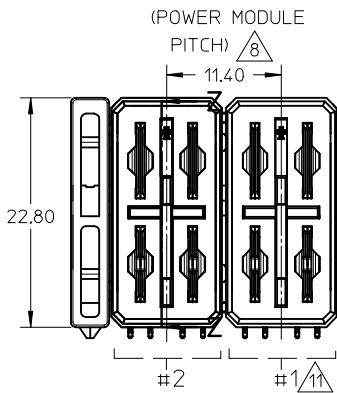


UPDATE PIN NO.: PG4 EC NO: S2014-0340 DRWN:HCGOH CHKD:JESSIECHUA APPR:SHONG	2013/10/02 2013/10/02 2013/10/24	DESCRIPTION QUALITY SYMBOLS $F_A=0$ $F_E=0$ $F_P=0$	GENERAL TOLERANCES (UNLESS SPECIFIED)		DIMENSION STYLE MM ONLY		SCALE NTS	DESIGN UNITS METRIC	THIRD ANGLE PROJECTION		
					mm	INCH	DRAWN BY LNG	DATE 2010/12/15	TITLE IMPACT POWER, 5 PAIR HEADER WITH HOLD DOWN PRESS FIT molex DOCUMENT NO. SD-78351-001 SHEET NO. 1 OF 4		
			4 PLACES	± ---	± ---	CHECKED BY CTCHO	DATE 2011/12/29				
			3 PLACES	± ---	± ---	APPROVED BY SHONG	DATE				
2 PLACES	± 0.25	± ---	MATERIAL NO. SEE TABLE								
1 PLACE	± ---	± ---	DRAFT WHERE APPLICABLE MUST REMAIN WITHIN DIMENSIONS		SIZE A3	THIS DRAWING CONTAINS INFORMATION THAT IS PROPRIETARY TO MOLEX INCORPORATED AND SHOULD NOT BE USED WITHOUT WRITTEN PERMISSION					
0 PLACE	±	±									

LEFT HOLD DOWN OPTION



Z-Z



UPDATE PIN NO.: PG4	DESCRIPTION
EC NO: S2014-0340	DATE: 2013/10/02
DRWN: HCGH	CHKD: JESSIE CHUA
APPR: SHONG	DATE: 2013/10/24
REV B3	

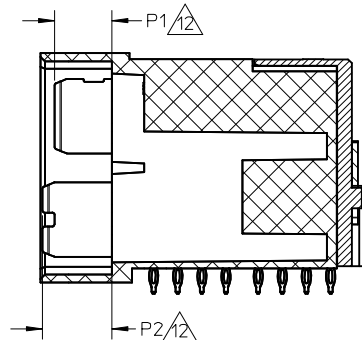
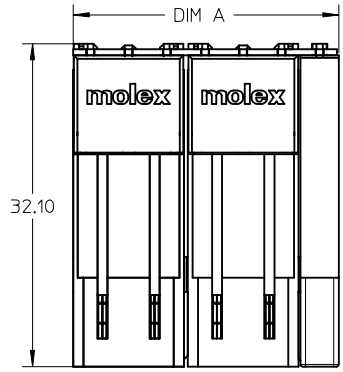
QUALITY SYMBOLS	DESCRIPTION
$F_A = 0$	
$F_B = 0$	
$F_C = 0$	

GENERAL TOLERANCES (UNLESS SPECIFIED)	
	mm
4 PLACES	± 0.25
3 PLACES	± 0.20
2 PLACES	± 0.15
1 PLACE	± 0.10
0 PLACE	± 0.05
ANGULAR ± 3°	
DRAFT WHERE APPLICABLE MUST REMAIN WITHIN DIMENSIONS	

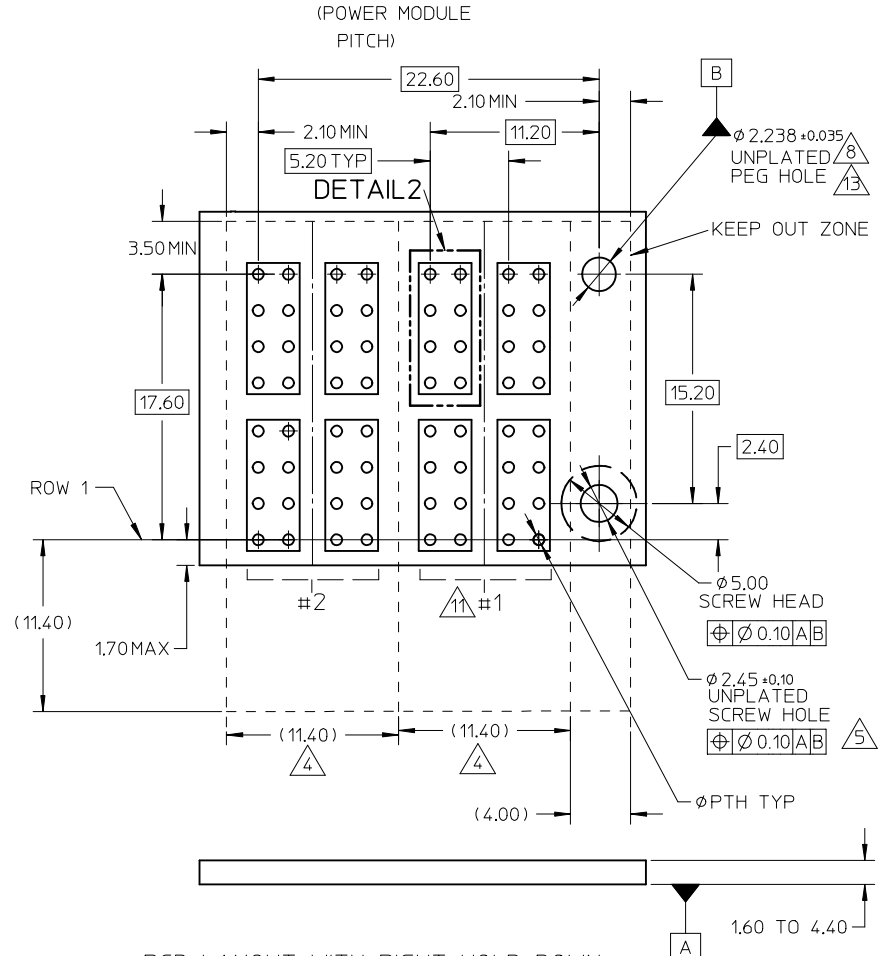
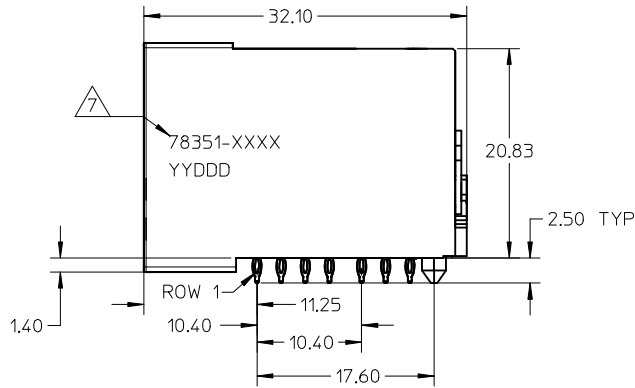
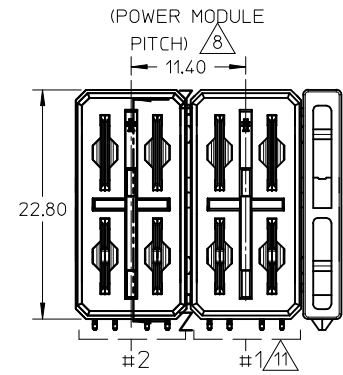
DIMENSION STYLE	
MM ONLY	
DRAWN BY	DATE
LNG	2010/12/15
CHECKED BY	DATE
CTCH0	2011/12/29
APPROVED BY	DATE
MATERIAL NO.	
SEE TABLE	
THIS DRAWING CONTAINS INFORMATION THAT IS PROPRIETARY TO MOLEX INCORPORATED AND SHOULD NOT BE USED WITHOUT WRITTEN PERMISSION	

SCALE	DESIGN UNITS	THIRD ANGLE PROJECTION
NTS	METRIC	
TITLE		
IMPACT POWER, 5 PAIR HEADER WITH HOLD DOWN PRESS FIT		
molex		
DOCUMENT NO.		SHEET NO.
SD-78351-001		2 OF 4

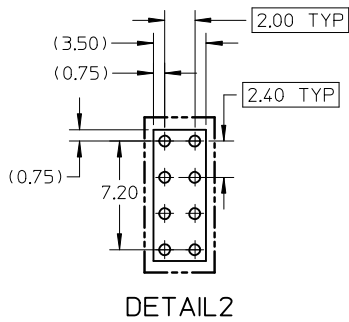
RIGHT HOLD DOWN OPTION



SECTION Z-Z

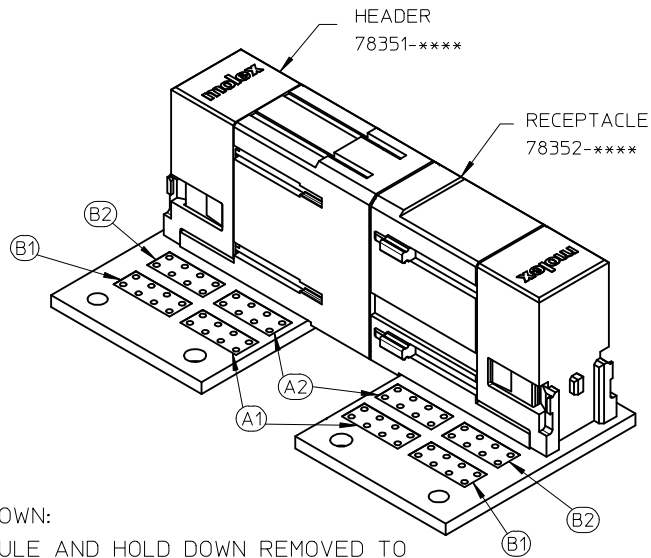


PCB LAYOUT WITH RIGHT HOLD DOWN (COMPONENT SIDE SHOWN)

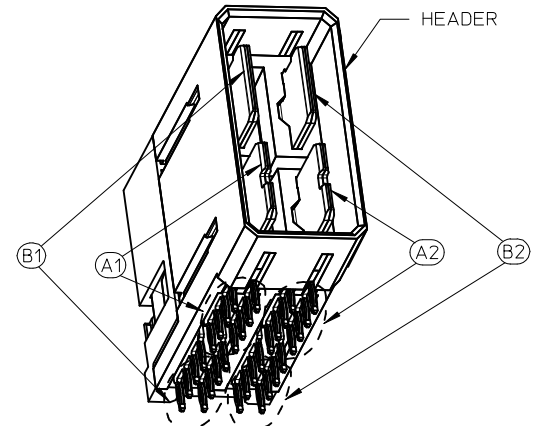


DETAIL2

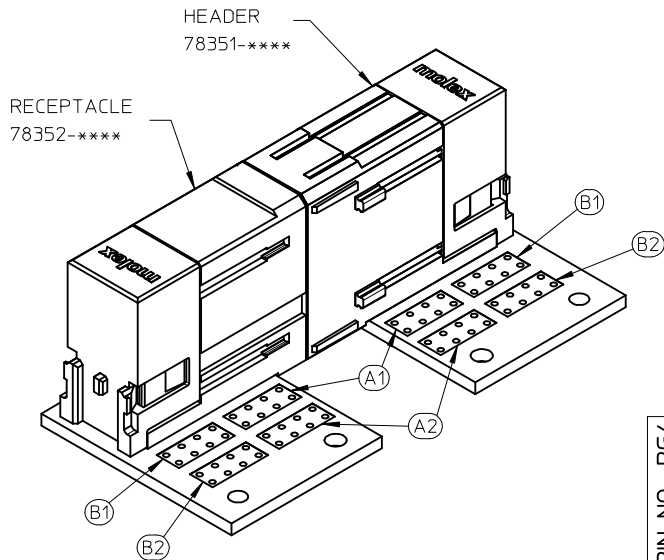
UPDATE PIN NO., PG4 IEC NO: SZ014-0340 DRW:HC60H CHKD: JESS IECHUA APPR: SHONG	QUALITY SYMBOLS F=0 F=0 F=0	GENERAL TOLERANCES (UNLESS SPECIFIED)		DIMENSION STYLE MM ONLY		SCALE NTS	DESIGN UNITS METRIC	THIRD ANGLE PROJECTION			
		4 PLACES ± --- ± ---	3 PLACES ± --- ± ---	2 PLACES ± 0.25 ± ---	1 PLACE ± --- ± ---	0 PLACE ± ±	DRAWN BY LNG	DATE 2010/12/15	TITLE IMPACT POWER, 5 PAIR HEADER WITH HOLD DOWN PRESS FIT		
		ANGULAR ± 3 °					CHECKED BY CTCHO	DATE 2011/12/29	molex		
		DRAFT WHERE APPLICABLE MUST REMAIN WITHIN DIMENSIONS					APPROVED BY	DATE	MATERIAL NO. SEE TABLE	DOCUMENT NO. SD-78351-001	SHEET NO. 3 OF 4



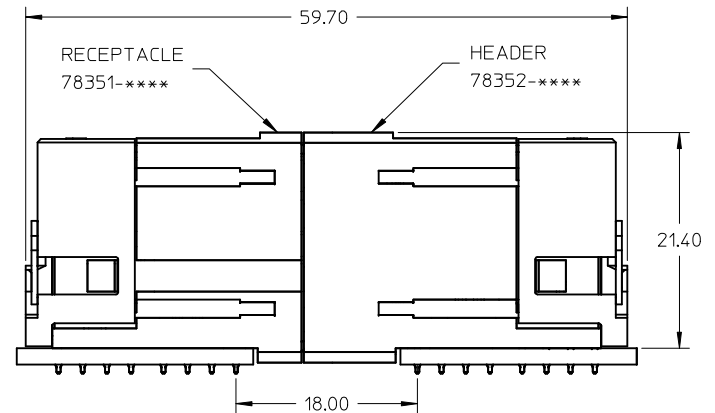
LEFT HOLD DOWN:
1 POWER MODULE AND HOLD DOWN REMOVED TO
ILLUSTRATE CIRCUIT PATH OF MATED SYSTEM



PIN NUMBER ASSIGNMENT BASED ON HEADER SIDE:
A1, B1 ON THE LEFT,
A2, B2 ON THE RIGHT.



RIGHT HOLD DOWN:
1 POWER MODULE AND HOLD DOWN REMOVED TO
ILLUSTRATE CIRCUIT PATH OF MATED SYSTEM



MATED SYSTEM OF 78351 & 78352

UPDATE PIN NO.: PG4 EC NO: S2014-0340 DRWN: HCGH 2013/10/02 CHYK: JESSIE CHUA 2013/10/02 APPR: SHONG 2013/10/24	QUALITY SYMBOLS $\nabla_A = 0$ $\nabla_E = 0$ $\nabla_F = 0$	GENERAL TOLERANCES (UNLESS SPECIFIED)		DIMENSION STYLE MM ONLY		SCALE NTS	DESIGN UNITS METRIC	THIRD ANGLE PROJECTION	
			mm	INCH	DRAWN BY	DATE	TITLE		
		4 PLACES	± ---	± ---	LNG	2010/12/15	IMPACT POWER, 5 PAIR HEADER WITH HOLD DOWN PRESS FIT		
		3 PLACES	± ---	± ---	CHECKED BY	DATE	molex SD-78351-001		
2 PLACES	± 0.25	± ---	CTCHO	2011/12/29	MATERIAL NO.	DOCUMENT NO.			
1 PLACE	± ---	± ---	APPROVED BY			DATE	4 OF 4		
0 PLACE	±	±	DRAFT WHERE APPLICABLE MUST REMAIN WITHIN DIMENSIONS			THIS DRAWING CONTAINS INFORMATION THAT IS PROPRIETARY TO MOLEX INCORPORATED AND SHOULD NOT BE USED WITHOUT WRITTEN PERMISSION			