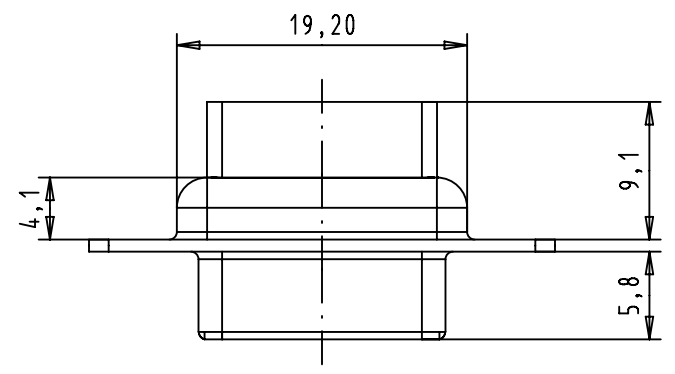
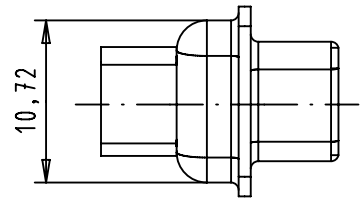
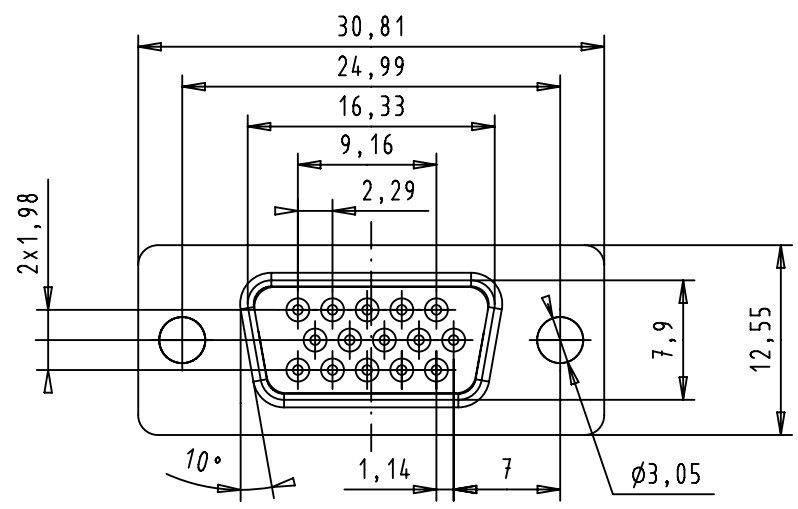


A

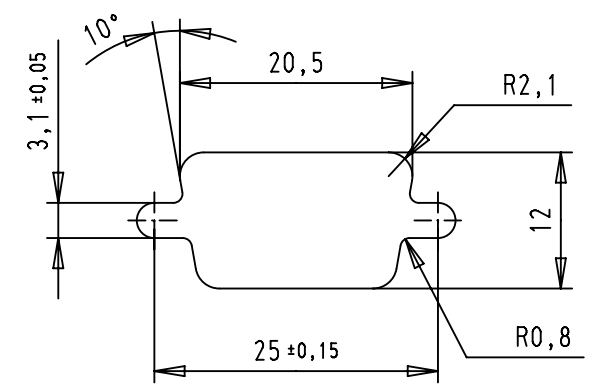
B

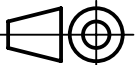

C

D



Panel cut out



	All Dimensions in mm Original Size DIN A4	Scale		Free size tol.		Ref.	
		2:1				Sub.	
	All rights reserved Department EC PD - FR	Created by	Inspected by	Standardisation	Date	State	
		DOUGE	BAGDIKIAN	HOFFMANN	2012-09-12	Final Release	
HARTING Electronics GmbH & Co. KG D-32339 Espelkamp		Title				Doc-Key / ECM-Nr.	
		D-Sub HD 15P female for crimp contacts				100513461/UGD/001/A 50000055151	
		Type	Number		Rev.	Page	
		TB	09561004701		A	1/1	