



PRODUCT NUMBER

20020109-XXXXXXLF

20020109 — □ □ □ □ A 0 □ L F

PITCH

G: 5.00 mm  
H: 5.08 mm

POLES

02: 2 POLES  
03: 3 POLES  
04: 4 POLES  
24: 24 POLES

LF : DENOTED RoHS COMPATIBLE

1 : STANDARD PRODUCT  
W/ BOX PACKING

HOUSING CODE

PROPERTY TABLE		
FCI SERIES NAME	06-500	06-508
PITCH (mm)	5.00	5.08
VOLTAGE RATING (VAC)	300	300
CURRENT RATING (A)	12	12
WITHSTANDING VOLTAGE (kV)	1.6	1.6
OPERATING TEMP. (°C)	-40~+115	-40~+115
SOLDERING TEMP. (°C)	250±10 (5 sec.)	250±10 (5 sec.)
POLES AVAILABLE	02~24	02~24
SAFETY CERTIFICATE		

CODE	COLOR	AVAILABILTY
1	GREEN(RAL 6018/T)	STANDARD
2	BLACK	ON REQUEST ONLY
3	GREY(RAL 7004/P)	ON REQUEST ONLY
4	BLUE(RAL 5015/A)	ON REQUEST ONLY

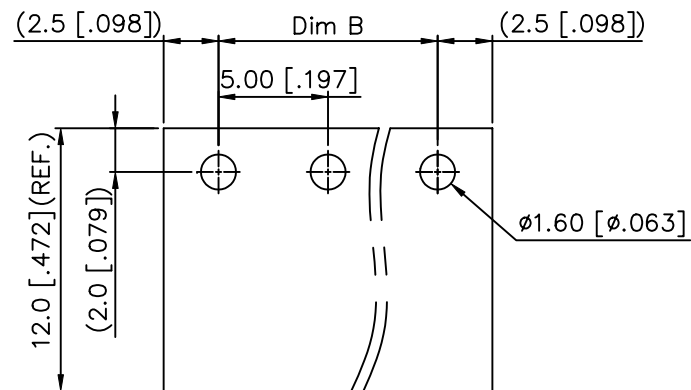
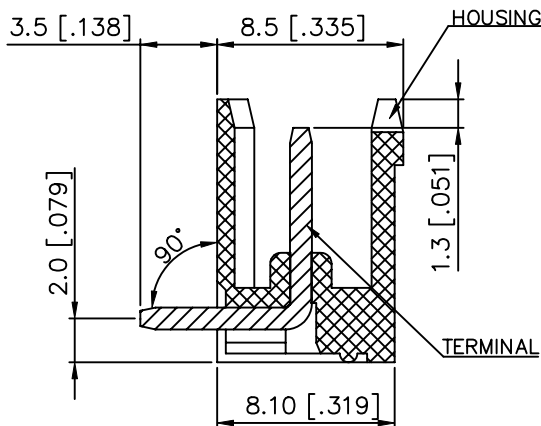
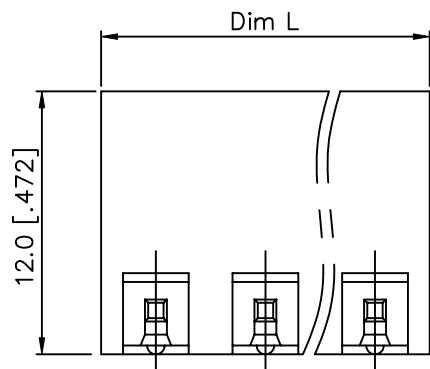
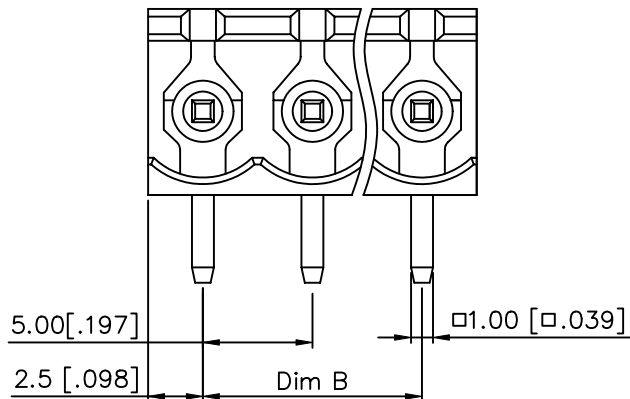
NOTES:

- MATERIALS  
1-1 HOUSING: THERMALPLASTIC RESIN, UL 94V-0 RATED.  
1-2 TERMINAL: COPPER ALLOY, TIN PLATED.
- PRODUCT SPECIFICATION REFER TO FCI GS-12-625.
- PRODUCT PACKING SPECIFICATION REFER TO FCI GS-14-1394.
- FCI, SAFETY CERTIFICATE LOGO AND SERIES NAME TO BE SHOWN ON PRODUCT SURFACE.
- THE PRODUCTS WHERE THE PART NUMBER END IN "LF" MEET THE EUROPEAN UNION DIRECTIVE AND OTHER COUNTRY REGULATIONS AS DESCRIBED IN GS-22-008.
- RECOMENDED SOLDERING PROCESS BY WAVE SOLDER.

mat'l. code				surface ASME Y14.5		tolerance ASME Y14.5		projection 		product family TERMINAL BLOCK	
ltr	ecn no	dr	date	tolerances unless otherwise specified				title		TERMINAL BLOCK PLUGGABLE SOCKET, RIGHT ANGLE	
A	T10-0099	WL	070110	angles	X.±0.5	MM		2 WALLS		sheet 1 of 3 size	
B	T10-0116	WL	072210	tolerance	X.X±0.3	[INCH]		dwg no		20020109 A4	
C	T10-0161	WL	101210	form	X.XX±0.1	scale		type		CUSTOMER Drawing	
D	T10-0187	WL	121410	dr	WENDY CHEN	062110					
				enr	JASON HSU	062110					
				chr	GARY HSIEH	062110					
				appd	JOSEPH HSIA	062110					
sheet index	revision sheet	D	D	D							
		1	2	3							



PRODUCT NUMBER	SERIES NAME	PITCH
20020109-GXXXXXL	06-500	5.00 mm



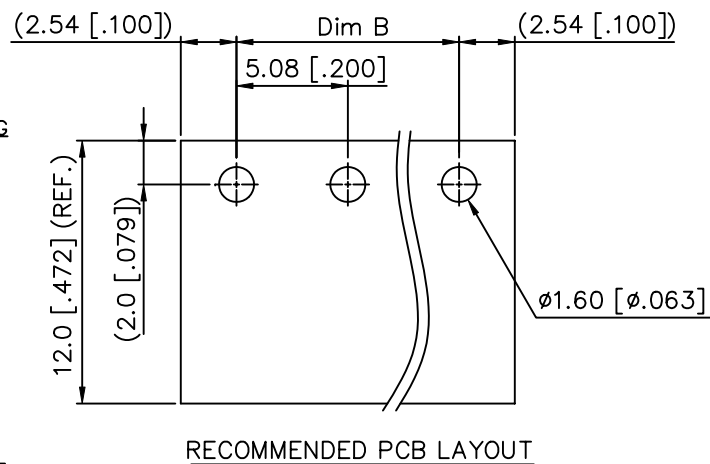
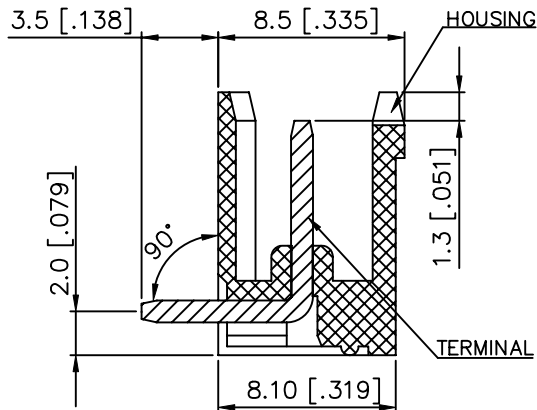
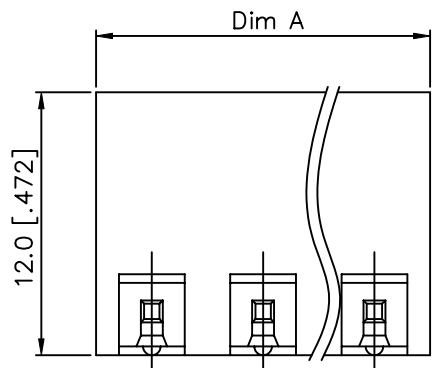
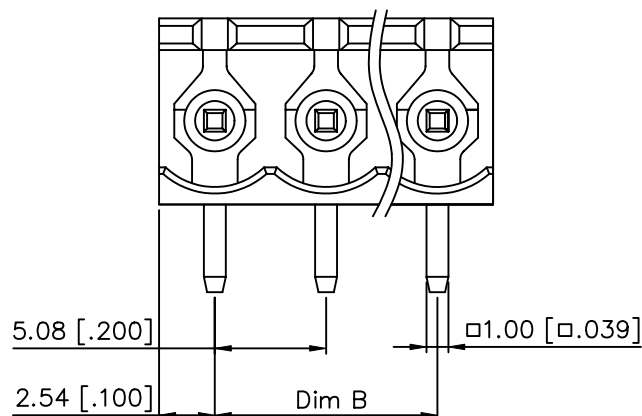
RECOMMENDED PCB LAYOUT

POLE	<del>1</del>	2	3	4	5	6	7	8
DIM.L	<del>10.0[.394]</del>	10.0[.394]	15.0[.590]	20.0[.787]	25.0[.984]	30.0[1.181]	35.0[1.377]	40.0[1.574]
DIM.B	<del>5.0[.196]</del>	5.0[.196]	10.0[.394]	15.0[.590]	20.0[.787]	25.0[.984]	30.0[1.181]	35.0[1.377]
Tol.	±0.15[.006]							±0.25[.010]
POLE	9	10	11	12	13	14	15	16
DIM.L	45.0[1.771]	50.0[1.968]	55.0[2.165]	60.0[2.362]	65.0[2.559]	70.0[2.755]	75.0[2.952]	80.0[3.149]
DIM.B	40.0[1.574]	45.0[1.771]	50.0[1.968]	55.0[2.165]	60.0[2.362]	65.0[2.559]	70.0[2.755]	75.0[2.952]
Tol.	±0.25[.010]				±0.30[.012]			
POLE	17	18	19	20	21	22	23	24
DIM.L	85.0[3.346]	90.0[3.543]	95.0[3.74]	100.0[3.937]	105.0[4.133]	110.0[4.330]	115.0[4.527]	120.0[4.724]
DIM.B	80.0[3.149]	85.0[3.346]	90.0[3.543]	95.0[3.740]	100.0[3.937]	105.0[4.133]	110.0[4.330]	115.0[4.527]
Tol.	±0.30[.012]			±0.40[.016]				

mat'l. code		surface ASME Y14.5 ✓	tolerance ASME Y14.5	projection 	product family TERMINAL BLOCK
ltr	ecn no	dr	date	tolerances unless otherwise specified	title
D				angles X±1°	TERMINAL BLOCK PLUGGABLE SOCKET, RIGHT ANGLE 2 WALLS
				MM [INCH]	scale
		dr	WENDY CHEN	062110	sheet 2 of 3 size
		enr	JASON HSU	062110	20020109
		chr	GARY HSIEH	062110	
		appd	JOSEPH HSIA	062110	A4
sheet index	revision sheet				type CUSTOMER Drawing



PRODUCT NUMBER	SERIES NAME	PITCH
20020109-HXXXXXXLF	06-508	5.08 mm



POLE	<del>1</del>	2	3	4	5	6	7	8
A	<del>10.16</del>	10.16[.400]	15.24[.600]	20.32[.800]	25.4[1.000]	30.48[1.200]	35.56[1.400]	40.64[1.600]
B	<del>5.08</del>	5.08[.200]	10.16[.400]	15.24[.600]	20.32[.800]	25.4[1.000]	30.48[1.200]	35.56[1.400]
Tol.		±0.15[.006]						±0.25[.010]
POLE	9	10	11	12	13	14	15	16
A	45.72[1.800]	50.8[2.000]	55.88[2.200]	60.96[2.400]	66.04[2.600]	71.12[2.800]	76.2[3.000]	81.28[3.200]
B	40.64[1.600]	45.72[1.800]	50.8[2.000]	55.88[2.200]	60.96[2.400]	66.04[2.600]	71.12[2.800]	76.2[3.000]
Tol.	±0.25[.010]				±0.30[.012]			
POLE	17	18	19	20	21	22	23	24
A	86.36[3.400]	91.44[3.600]	96.52[3.800]	101.6[4.000]	106.68[4.200]	111.76[4.400]	116.84[4.600]	121.92[4.800]
B	81.28[3.200]	86.36[3.400]	91.44[3.600]	96.52[3.800]	101.6[4.000]	106.68[4.200]	111.76[4.400]	116.84[4.600]
Tol.	±0.30[.012]				±0.40[.016]			

mat'l. code	surface ASME Y14.5 ✓	tolerance ASME Y14.5	projection 	product family TERMINAL BLOCK			
ltr	ecn	no	dr	date	tolerances unless otherwise specified		title TERMINAL BLOCK PLUGGABLE SOCKET, RIGHT ANGLE 2 WALLS
D					angles X±1°	MM [INCH]	dwg no 20020109
					X.X±0.5	scale	sheet 3 of 3 size A4
					X.XX±0.1		type CUSTOMER Drawing
					dr WENDY CHEN 062110		
					enr JASON HSU 062110		
					chr GARY HSIEH 062110		
					appd JOSEPH HSIA 062110		
sheet index	revision	sheet					