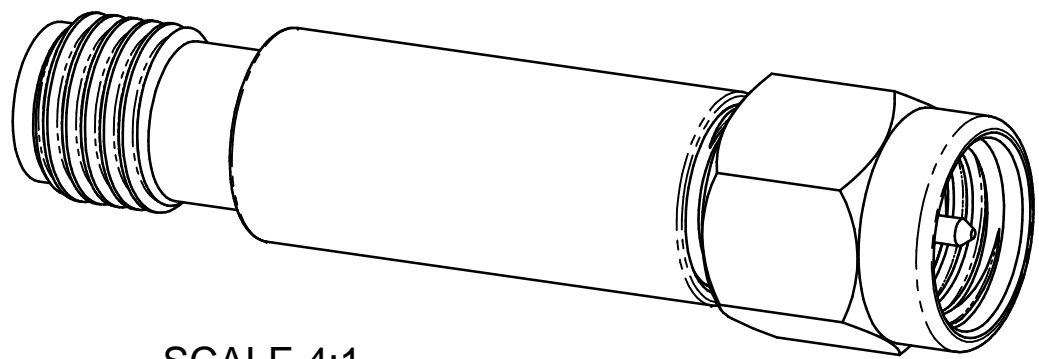
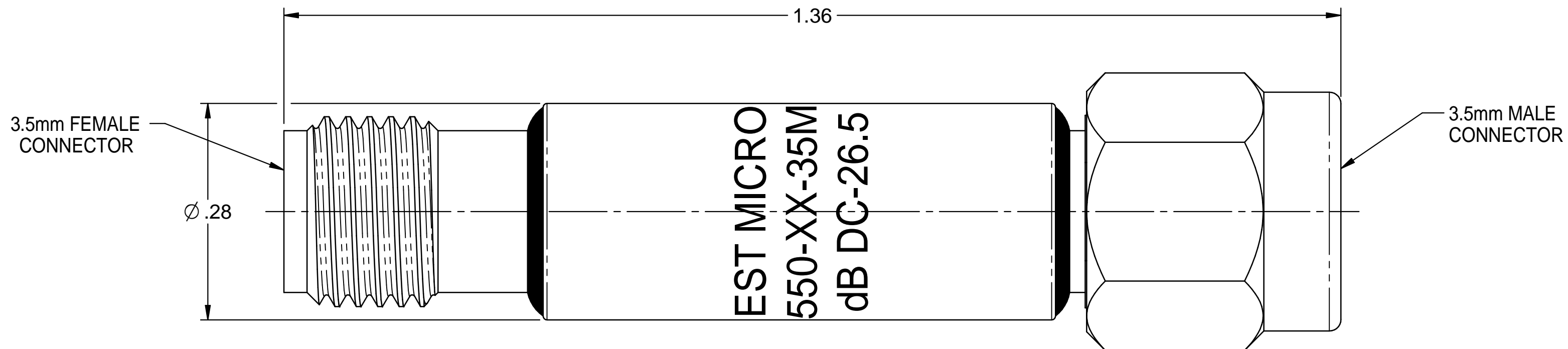


ZONE	REV	ECO	DESCRIPTION	APPR.	DATE
	L	15336			6/21/96
	M	18722			9/9/02
	N	24371		JRK	7/30/12



SCALE 4:1



NOTES: UNLESS OTHERWISE SPECIFIED.

1. SPECIFICATIONS:
 - 1.1 FREQUENCY RANGE: DC TO 26.5 GHz
 - 1.2 ATTENUATION ACCURACY:
 - 0dB +0.5dB
 - 1-6dB ±0.5dB
 - 7-20dB ±0.7dB
 - 21-30dB ±1.5dB
 - 1.3 MAXIMUM VSWR: 1.07+0.015 f (GHz)
 - 1.4 MAXIMUM INPUT POWER: 2 WATTS AVG. AT +25°C
DERATED LINEARLY TO 0.5 WATTS AT +125°C
 - 1.5 OPERATING TEMP. RANGE: -65°C TO +125°C

2. MARKING: MARK UNIT AS SHOWN.

OUTLINE DRAWING

<p>This PROPRIETARY Document is property of Emerson Network Power Connectivity Solutions. It is confidential in nature, non-transferable, and issued with the clear understanding that it is not traced or copied without permission and is returnable upon demand.</p>	Model No. ATT-0550-XX-35M-02		MIDWEST MICROWAVE			
	RoHS <input checked="" type="checkbox"/> 2002/95/EC		Cage Code 34078	Title ATTENUATOR 3.5mm, 0-30dB		
	UNLESS OTHERWISE SPECIFIED UNITS: INCHES .XX ±.01 .XXX ±.003 .XXXX ±.0010 ANGLES ±1°00'		3RD ANGLE PROJECTION 	Drawing No. ATT-0550-XX-35M-02-01		Material
	Drawn by SO Date 10/19/07		Approved by GK Date 10/19/07	Rev. N	Finish	Sheet 1 of 1

Scale 8:1

DO NOT SCALE DRAWING

Size C