

THIS DRAWING IS UNPUBLISHED.

RELEASED FOR PUBLICATION

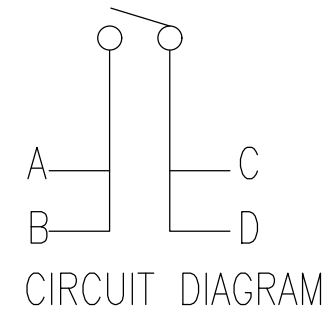
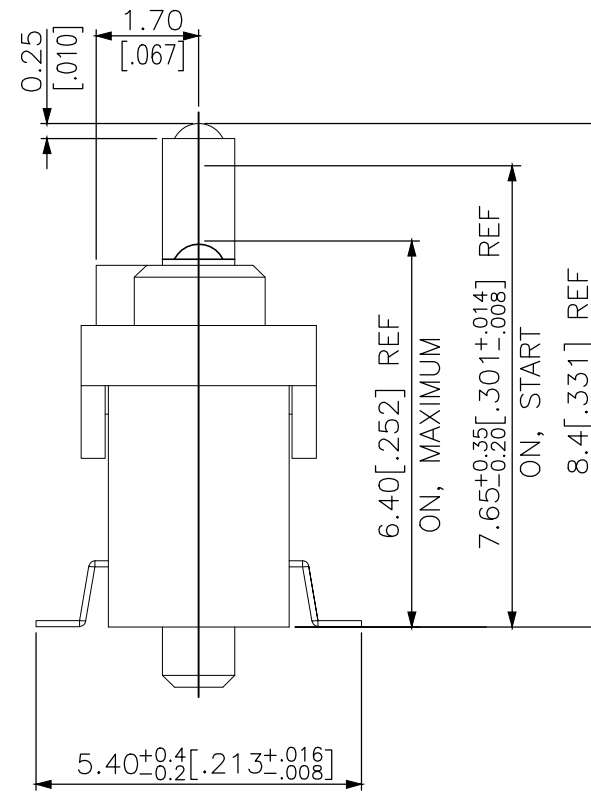
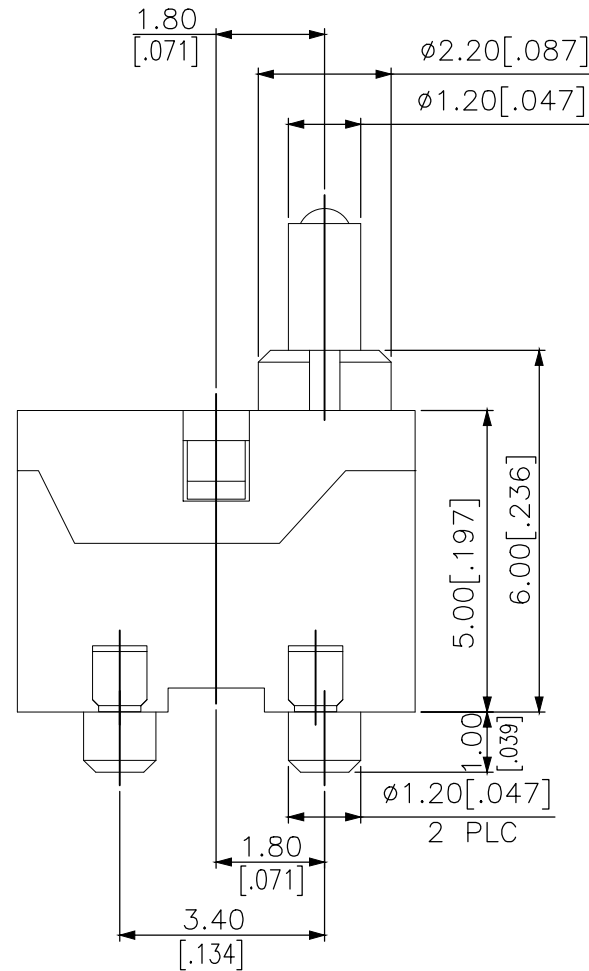
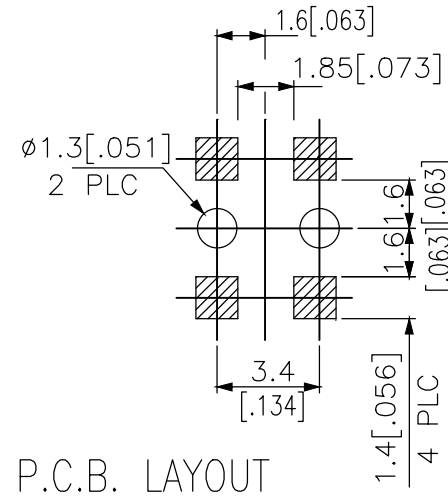
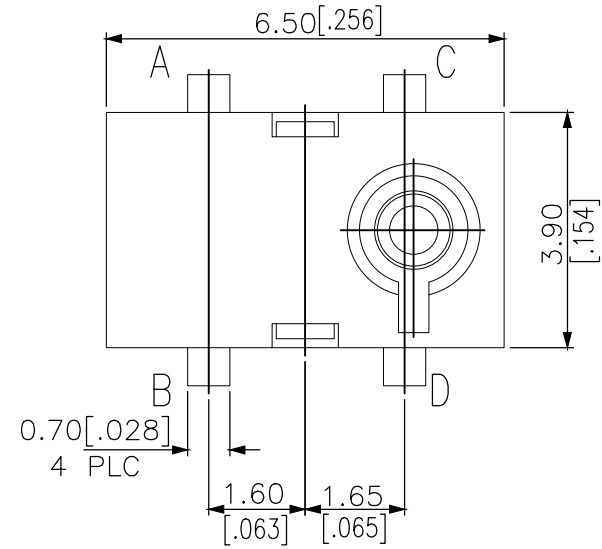
REVISIONS

© COPYRIGHT - TE Connectivity Ltd.

ALL RIGHTS RESERVED.

P	LTR	DESCRIPTION	DATE	DWN	APVD
	A	ECR-18-012767	14AUG2018	DHC	AS

2331400-1 AND 2331400-2  
AS SHOWN



500/REEL	2331400-2
50/TUBE	2331400-1
QTY PER REEL/TUBE	TE PART NO

THIS DRAWING IS A CONTROLLED DOCUMENT.		DWN GANESH C M 03MAY2018	TE Connectivity Ltd.		
DIMENSIONS: mm [INCHES]		CHK ALEXANDER SHARPE 03MAY2018			
TOLERANCES UNLESS OTHERWISE SPECIFIED:		APVD ALEXANDER SHARPE 03MAY2018	NAME SWITCH, DETECTOR, JVL SERIES, 6.5X3.9mm, VERTICAL, SMT, POSTS, 8.4mm		
		PRODUCT SPEC -	-		
0 PLC ± - 1 PLC ± - 2 PLC ± 0.20 [.008] 3 PLC ± - 4 PLC ± - ANGLES ± -		APPLICATION SPEC -	SIZE A3	CAGE CODE 00779	DRAWING NO C-2331400
MATERIAL -		FINISH -	RESTRICTED TO -		
CUSTOMER DRAWING			SCALE NTS	SHEET 1 of 3	REV A

THIS DRAWING IS UNPUBLISHED.

RELEASED FOR PUBLICATION

© COPYRIGHT - TE Connectivity Ltd.

ALL RIGHTS RESERVED.

REVISIONS

P	LTR	DESCRIPTION	DATE	DWN	APVD
-	-	SEE SHEET 1	-	-	-

NOTES:

1. MATERIALS

ACTUATOR: THERMOPLASTIC, UL 94V-0, BLACK  
 BASE: THERMOPLASTIC, UL 94V-0, BLACK  
 COVER: THERMOPLASTIC, UL 94V-0, BLACK  
 TERMINAL: COPPER ALLOY, SILVER PLATE  
 CONTACT: STAINLESS STEEL, SILVER CLAD

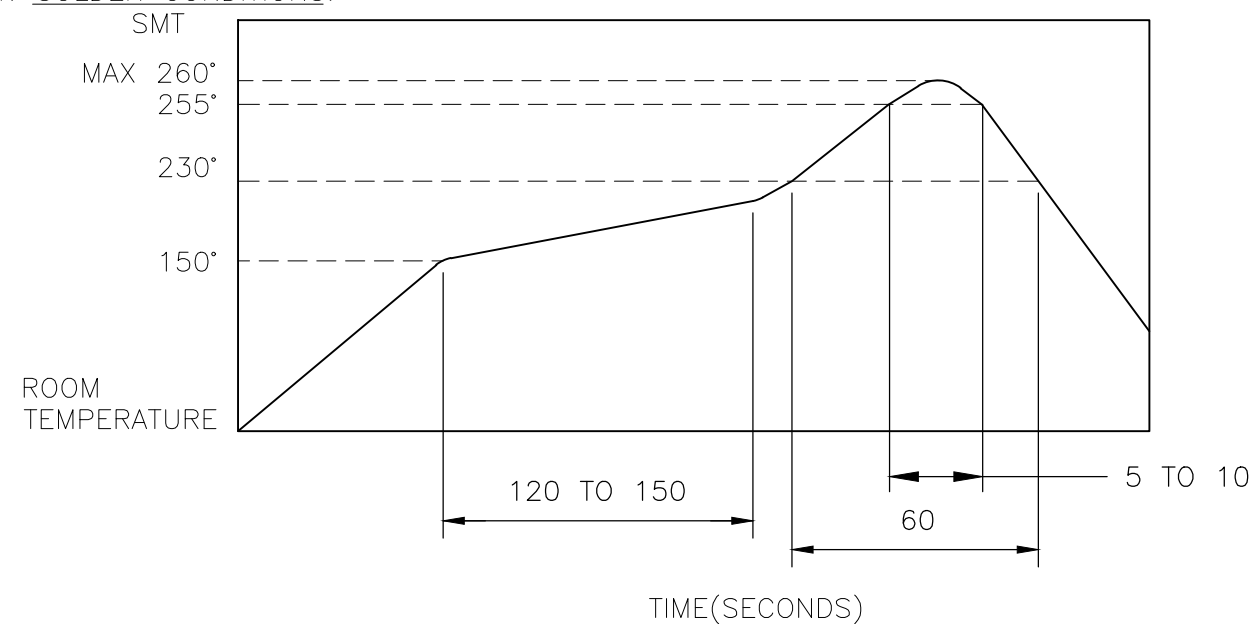
2. COMPLIANCE:

ALL MATERIALS AND FINISHES SHALL COMPLY WITH EU  
 DIRECTIVE 2002/95/EC OF 27JAN2003(RoHS)

3. SPECIFICATIONS:

RATING: 5mA 5V DC  
 CONTACT RESISTANCE: 500mΩ MAXIMUM(INITIAL)  
 INSULATION RESISTANCE: 100MΩ MINIMUM AT 250 V DC  
 DIELECTRIC STRENGTH: 250 V AC, 1 MINUTE  
 OPERATING LIFE: 50,000 CYCLES WITH LOAD  
 TOTAL TRAVEL: 2.0 [.079]  
 ACTUATION FORCE: 35gf MAXIMUM  
 OPERATING TEMPERATURE: -20°C TO 70° C  
 STORAGE TEMPERATURE: -30°C TO 80° C

4. SOLDER CONDITIONS:



THE CONDITION MENTIONED ABOVE IS THE TEMPERATURE ON THE CU FOIL OF THE PCB SURFACE. THERE ARE CASES WHERE THE BOARD'S TEMPERATURE GREATLY DIFFERS FROM THE SWITCH'S SURFACE. DO NOT ALLOW SWITCH'S SURFACE TEMPERATURE TO EXCEED 260°C

MANUAL SOLDERING

SOLDERING TEMPERATURE	MAX.350°C.
CONTINUOUS SOLDERING TIME	MAX. 5 SECONDS.

PRECAUTIONS IN HANDLING

1. CARE SHOULD BE EXERCISED SO THAT FLUX FROM THE UPPER PART OF THE PRINTED CIRCUIT BOARD DOES NOT ADHERE TO THE SWITCH.

JJLV0UG840NOPPRTR	2331400-2
JJLV0UG840NOPPRTB	2331400-1
SMART PART NUMBER	PART NUMBER

THIS DRAWING IS A CONTROLLED DOCUMENT.		DWN	GANESH C M		03MAY2018	TE Connectivity Ltd.													
DIMENSIONS: mm [INCHES]		CHK	ALEXANDER SHARPE		03MAY2018														
TOLERANCES UNLESS OTHERWISE SPECIFIED:		APVD	ALEXANDER SHARPE		03MAY2018	NAME													
<table border="1"> <tr><td>0 PLC</td><td>± -</td></tr> <tr><td>1 PLC</td><td>± -</td></tr> <tr><td>2 PLC</td><td>± 0.20 [.008]</td></tr> <tr><td>3 PLC</td><td>± -</td></tr> <tr><td>4 PLC</td><td>± -</td></tr> <tr><td>ANGLES</td><td>± -</td></tr> </table>		0 PLC	± -	1 PLC	± -	2 PLC	± 0.20 [.008]	3 PLC	± -	4 PLC	± -	ANGLES	± -	PRODUCT SPEC			SWITCH, DETECTOR, JJL SERIES, 6.5X3.9mm, VERTICAL, SMT, POSTS, 8.4mm		
0 PLC	± -																		
1 PLC	± -																		
2 PLC	± 0.20 [.008]																		
3 PLC	± -																		
4 PLC	± -																		
ANGLES	± -																		
MATERIAL		APPLICATION SPEC			RESTRICTED TO														
FINISH		WEIGHT			SIZE	CAGE CODE	DRAWING NO	RESTRICTED TO											
-		-			A3	00779	C-2331400	-											
CUSTOMER DRAWING					SCALE	SHEET	REV												
					NTS	2 OF 3	A												

THIS DRAWING IS UNPUBLISHED.

RELEASED FOR PUBLICATION

REVISIONS

© COPYRIGHT - TE Connectivity Ltd.

ALL RIGHTS RESERVED.

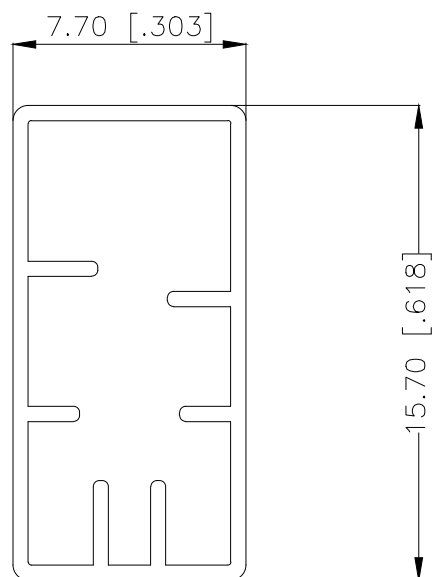
P	LTR	DESCRIPTION	DATE	DWN	APVD
-	-	SEE SHEET 1	-	-	-

PACKAGING:

2331400-1 : 50 SWITCHES PER TUBE  
2331400-2 : 500 SWITCHES PER REEL

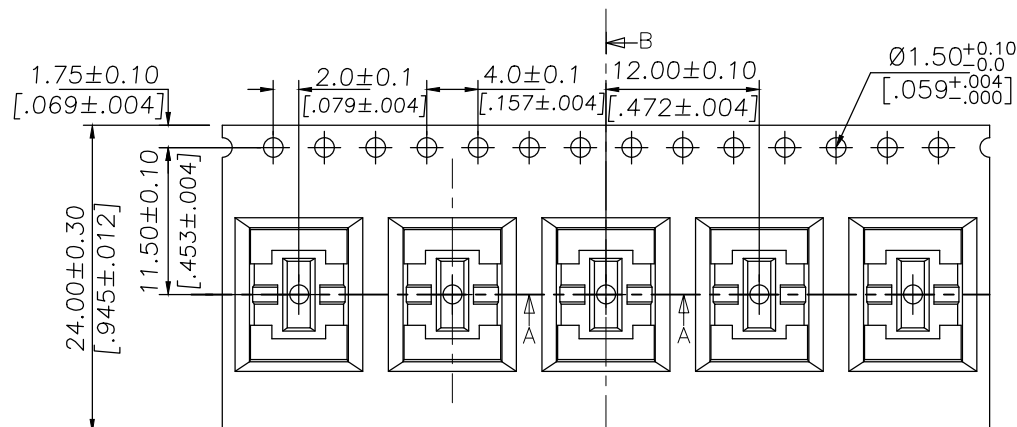
THE DIMENSION OF TUBE, CARRIER TAPE, COVER TAPE AND REEL

2331400-1



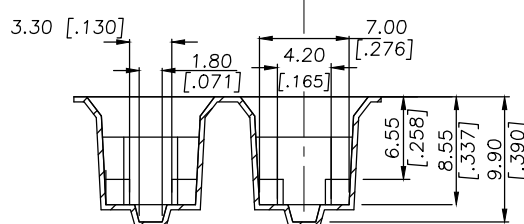
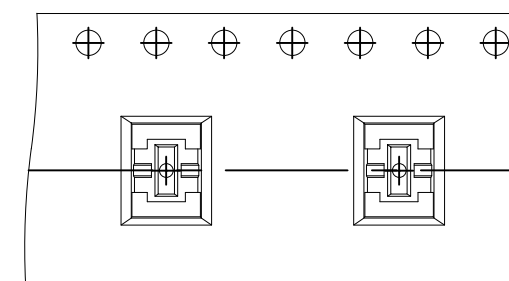
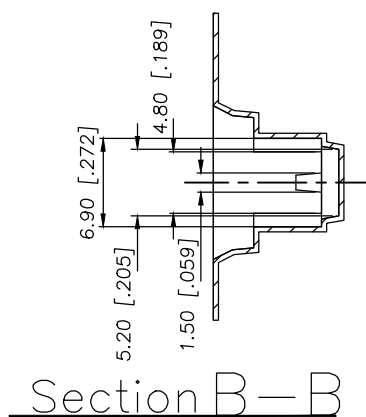
TUBE LENGTH: 500 [19.68] REF

2331400-2

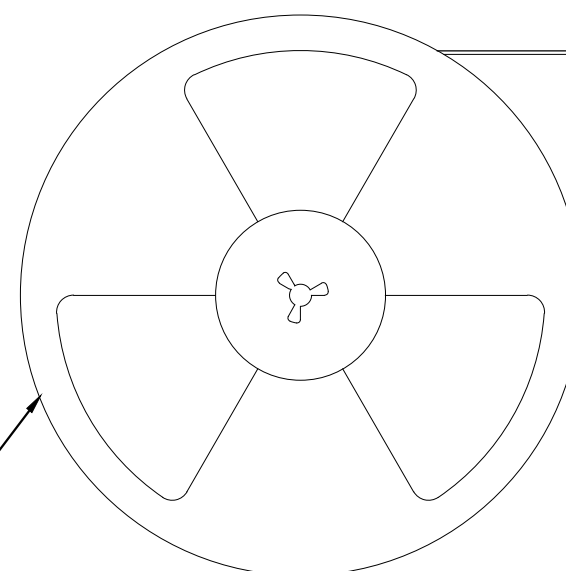


THE DIRECTION OF PILOT HOLES

CARRIER TAPE

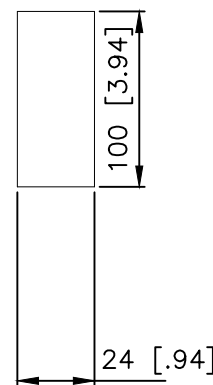
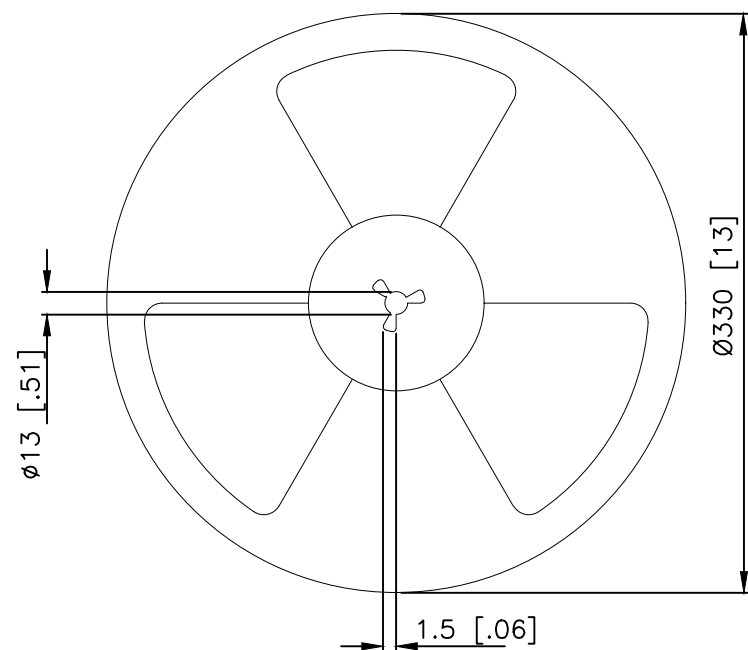



Section A-A



REEL

DRAWING DIRECTION



THIS DRAWING IS A CONTROLLED DOCUMENT.		DWN GANESH C M 03MAY2018	 TE Connectivity Ltd.		
DIMENSIONS: mm [INCHES]		CHK ALEXANDER SHARPE 03MAY2018			
TOLERANCES UNLESS OTHERWISE SPECIFIED:		APVD ALEXANDER SHARPE 03MAY2018	NAME SWITCH, DETECTOR, JYL SERIES, 6.5X3.9mm, VERTICAL, SMT, POSTS, 8.4mm		
0 PLC ± -		PRODUCT SPEC -	APPLICATION SPEC -		
1 PLC ± -		APPLIC. SPEC -	SIZE A3	CAGE CODE 00779	DRAWING NO C-2331400
2 PLC ± 0.20 [0.008]		WEIGHT -	RESTRICTED TO -		
3 PLC ± -		CUSTOMER DRAWING	SCALE NTS	SHEET 3 OF 3	REV A
4 PLC ± -					
ANGLES ± -					
MATERIAL -					
FINISH -					