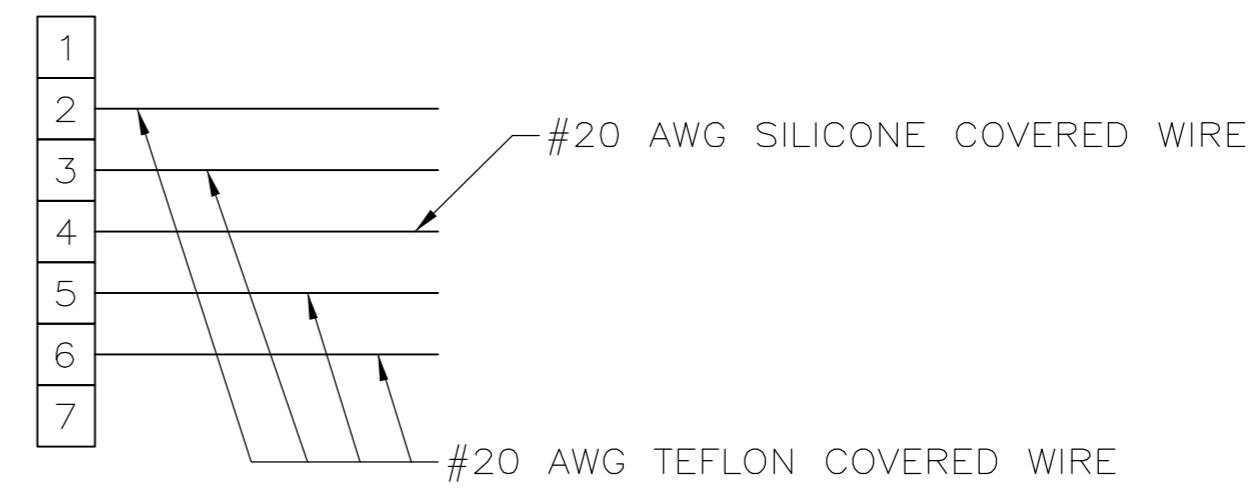
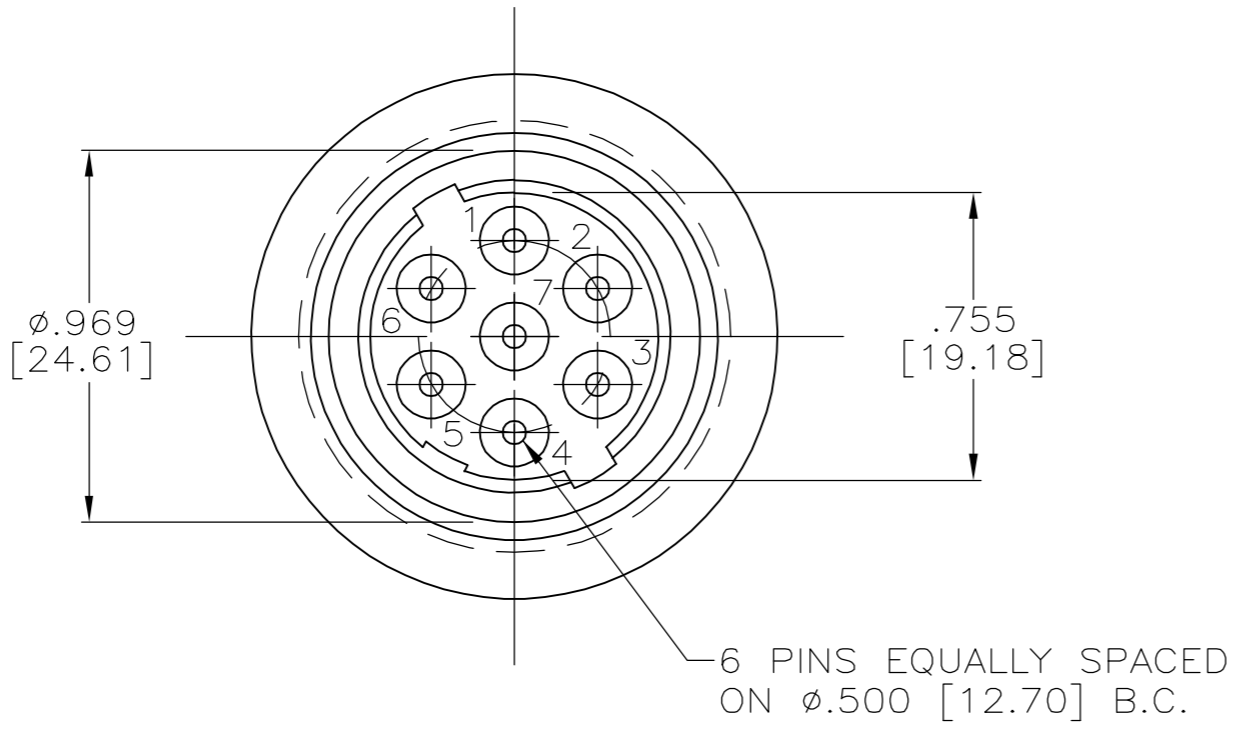
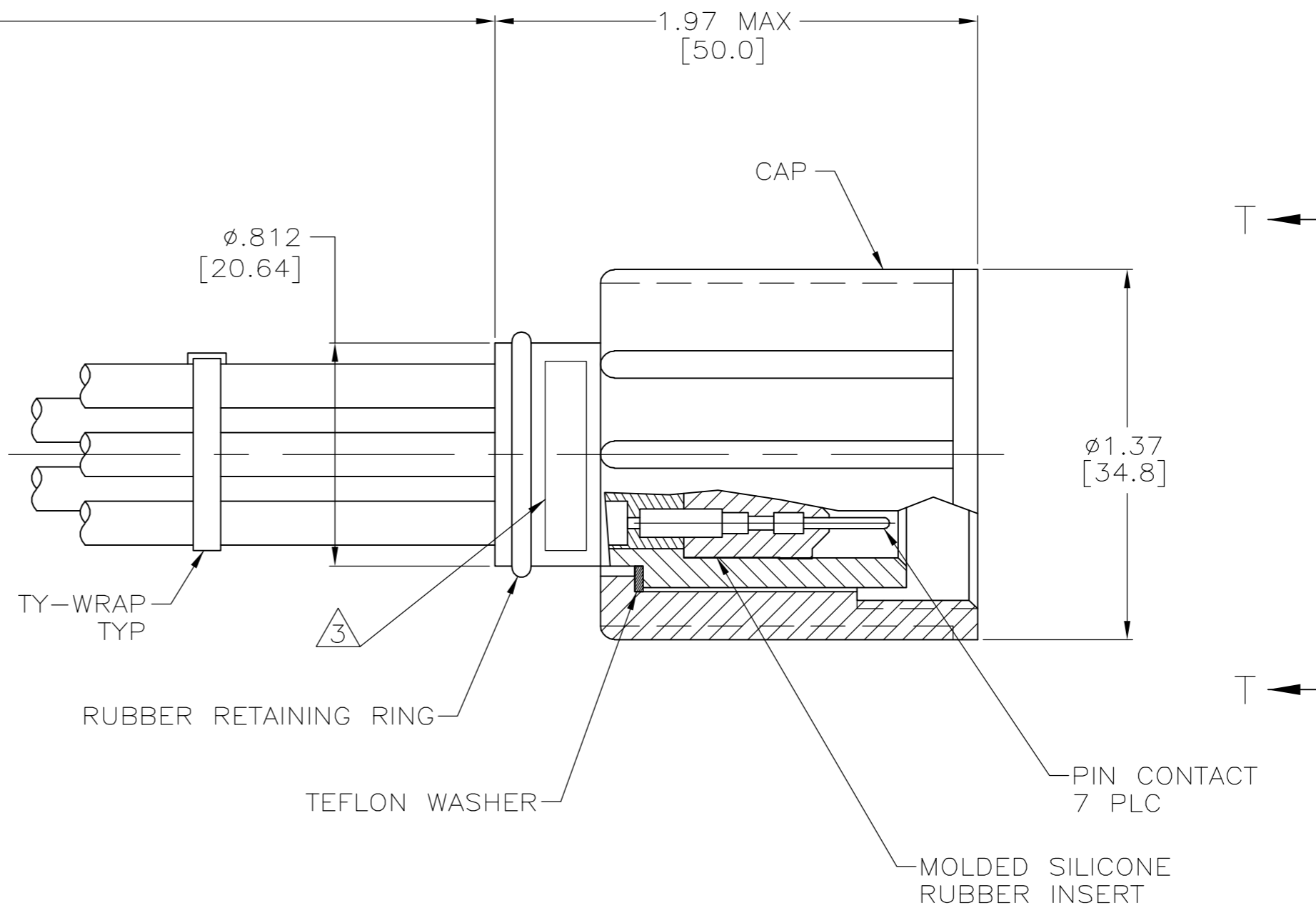
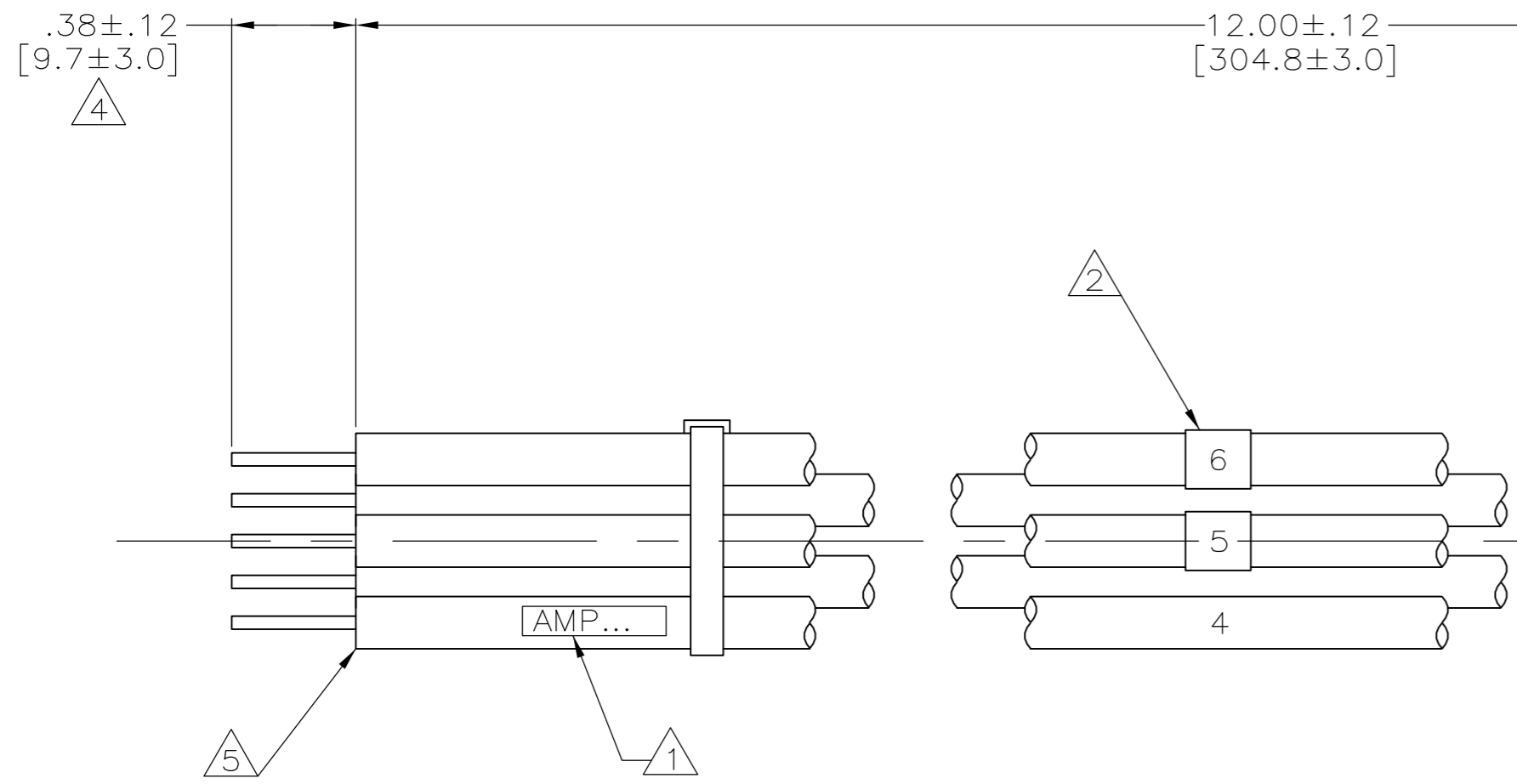


THIS DRAWING IS UNPUBLISHED. RELEASED FOR PUBLICATION - N/A .
 © COPYRIGHT N/A BY TYCO ELECTRONICS CORPORATION. ALL RIGHTS RESERVED.

LOC	DIST	REVISIONS					
DF	S0	P	LTR	DESCRIPTION	DATE	DWN	APVD
		G		REV PER ECO-05-003705	08-05	AA	DE



VIEW T-T

SCHEMATIC

- ① AMP AND AMP PART NO. MARKED PER MIL-STD-130 ON LEAD #4.
- ② PINS #2,3,4,5 & 6 TO BE WIRED AND LEADS ARE MARKED WITH PIN NUMBER.
- ③ AMP PART NO. 858915-1 MARKED IN THIS AREA PER MIL-STD-130.
- ④ PIGTAILS ARE SOLDER DIPPED. (863566-1 ONLY)
- ⑤ INSULATION CUT, BUT NOT REMOVED. (5-863566-1 ONLY)

5-863566-1
 863566-1
 PART NUMBER

THIS DRAWING IS A CONTROLLED DOCUMENT.		DWN C.C.THOMAS 26-APR-97	Tyco Electronics Corporation Harrisburg, Pa 17105-3608	
DIMENSIONS: INCHES [mm]		CHK S.GLATFELTER 16-JUL-97		
TOLERANCES UNLESS OTHERWISE SPECIFIED:		APVD S.GLATFELTER 16-JUL-97	NAME PLUG ASSY 7 PIN LGH	
0 PLC ± - 1 PLC ± - 2 PLC ± .02 [0.5] 3 PLC ± .005 [0.13] 4 PLC ± - ANGLES ± - FINISH -		APPLICATION SPEC -	SIZE A2	CAGE CODE 00779
MATERIAL -		WEIGHT -	DRAWING NO C=863566	
		CUSTOMER DRAWING	SCALE 2:1	SHEET 1 OF 1

863566

A