


SIGN	DATE	DESCRIPTION	APPROVER
		<i>THIS IS CAD DRAWING, DO NOT REVISE MANUALLY!!!</i>	

**Material**

- Terminal body (metal housing): Brass stamped, Tin plated
- Terminal screw: Steel Zinc plating "+/-" combination type
- Wire guard: Stainless steel
- Insulator (housing): Thermoplastic (UL94V-0)

**Electrical cULus/TUV**

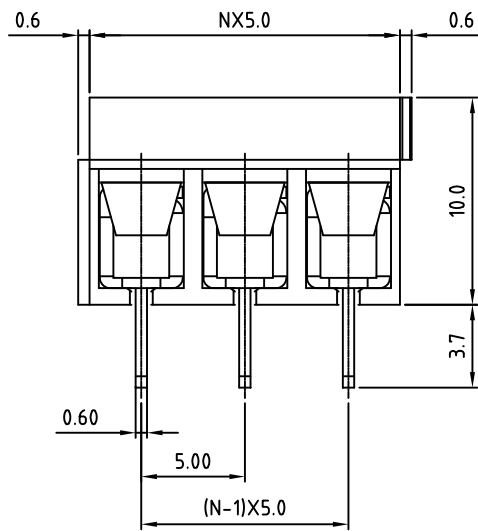
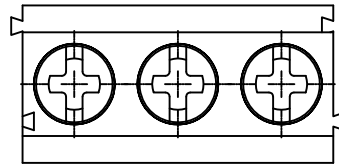
- Voltage rating: 300VAC/250VAC
- Current rating: 8A/12A
- Wire range:
  - Solid wire(AWG): 14-26/0.2-2.5mm
  - Stranded wire(AWG): 14-26/0.2-2.5mm
- Torque(Lb-In): 3.5/0.4Nm
- Screw: M2.5
- Wire strip length: 5-6mm
- Withstanding Voltage: 1.6KV
- Operating temperature: -40°C to +115°C / -40°C to +105°C
- Soldering temperature: 250°C±10°C/5 Sec
- Safety Approval: 

RoHS Compliant

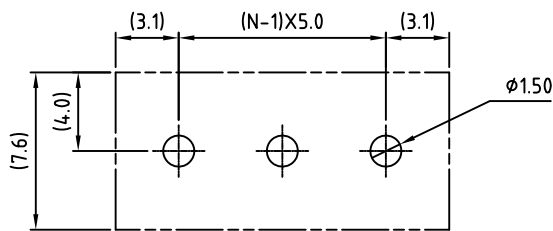
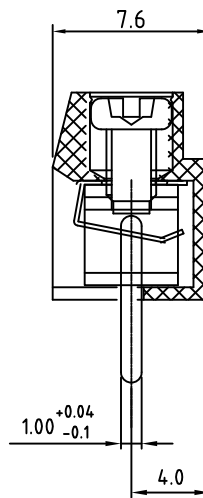
PART NUMBER:

**OSTT3XX0451**

↓	↓
No. of Poles	COLOR
02 2 Poles	0: Black
03 3 Poles	2: Red
... ..	3: Orange
24 24 Poles	4: Yellow
	5: Green (Standard)
	6: Blue
	8: Grey



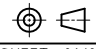
N=Number of contacts



P.C.B. LAYOUT

THESE DRAWINGS AND SPECIFICATIONS ARE THE PROPERTY OF ON-SHORE TECHNOLOGY, INC. AND SHALL NOT BE REPRODUCED, COPIED OR USED IN ANY MANNER WITHOUT THE PRIOR WRITTEN CONSENT OF ON-SHORE TECHNOLOGY, INC.



TITLE		OSTT3 5.0 Series		
PART NO.	OSTT3XX0451	DWG NO.	OSTT3XX0451.DWG	
APPROVED	CHECKED	DESIGNED	DRAWN	
		Guoxue 2012.04.05	Guoxue 2012.04.05	
		CUST NO.		
				
				UNIT: mm
		SCALE: NONE		X.X ±0.30
		SHEET: 01/01		X.XX ±0.10
		REV.: H		X° ±1°