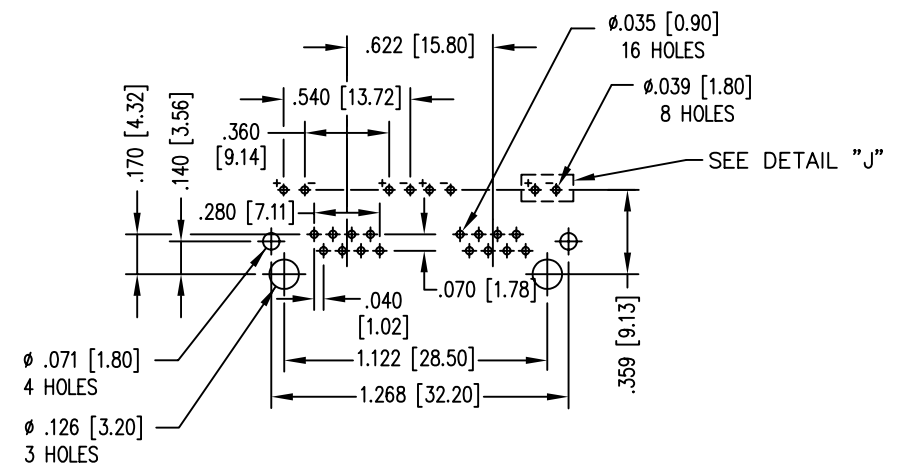
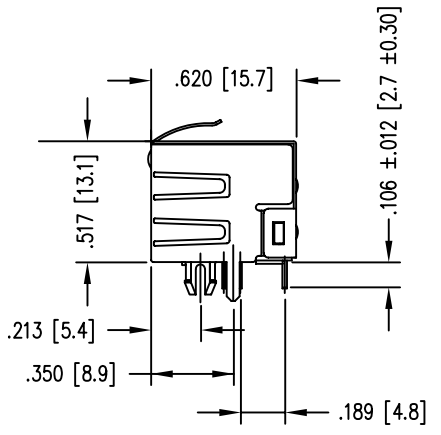
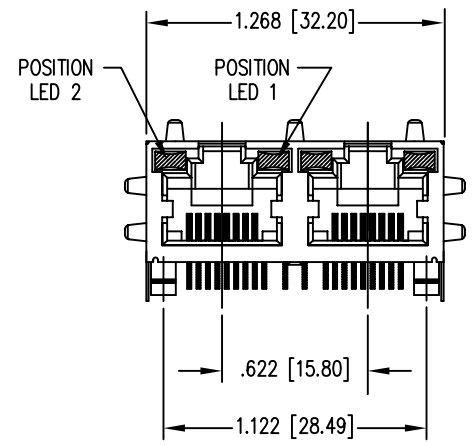
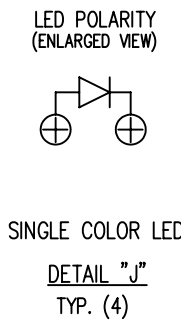
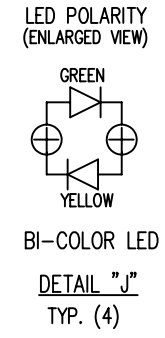


| DATE    | REV | ECN  | APP'D. BY |
|---------|-----|------|-----------|
| 8/22/03 | A1  | 6160 | RGC       |
| 1-13-06 | A2  | 7437 | JM        |
| 5-15-06 | A3  | 7621 | TRM       |
|         |     |      |           |

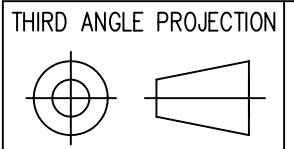


P.C.B. RECOMMENDED HOLE LAYOUT  
SEEN FROM COMPONENT SIDE  
ALL CENTERLINE DIMENSIONS ARE BASIC

**MATERIAL:**  
 HOUSING: PBT+30%G.F. UL94V-0. STANDARD COLOR: BLACK  
 INSERT: PBT+30%G.F. UL94V-0. STANDARD COLOR: BLACK  
 LENS: PC UL94V-0. STANDARD COLOR: CLEAR  
 BACK: PBT+30%G.F. STANDARD COLOR: BLACK  
 LED 3.2 x 2.0 x 4.0 x P=2.29mm.  
 SHIELD: COPPER ALLOY 0.25mm THICKNESS.  
 CONTACT: 0.35mm (.014") 50 MICRO INCH GOLD PLATING OVER  
 NICKEL PHOSPHOR BRONZE ALLOY SELECTIVE.  
 FOR PRODUCT SPECIFICATION SEE PR022-01



|                 |              |              |
|-----------------|--------------|--------------|
| YELLOW/GREEN    | YELLOW/GREEN | SS-74402-005 |
| GREEN           | RED          | SS-74402-004 |
| GREEN           | GREEN        | SS-74402-003 |
| GREEN           | YELLOW       | SS-74402-002 |
| YELLOW          | GREEN        | SS-74402-001 |
| POSITION 2      | POSITION 1   | PART NUMBER  |
| INDICATOR COLOR |              |              |



# Bel Stewart Connector

11118 Susquehanna Trail South  
 Glen Rock, PA 17327-9199  
 (717) 235-7512 Fax: (717) 235-7954 <http://www.stewartconnector.com>

DO NOT SCALE DRAWING  
 DRAWING IS SUBJECT TO  
 CHANGE WITHOUT NOTICE

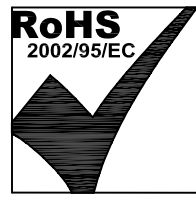
TITLE: EMI-RFI ONE PIECE SHIELDED, ESD GROUNDED  
 2 PORT PCB HARMONICA LED JACK PAC

DIMENSIONS: INCHES [METRIC]  
 UNLESS OTHERWISE SPECIFIED  
 TOLERANCES ARE ±.005 [0.13]  
 ANGLES ARE ± 1°

THIS DRAWING AND THE SUBJECT MATTER SHOWN THEREON  
 ARE CONFIDENTIAL AND THE PROPRIETARY PROPERTY OF  
 BEL STEWART CONNECTOR AND SHALL NOT BE REPRODUCED,  
 COPIED, OR USED IN ANY MANNER WITHOUT PRIOR WRITTEN  
 CONSENT OF BEL STEWART CONNECTOR. THE SUBJECT  
 MATTER MAY BE PATENTED OR A PATENT MAY BE PENDING.

|          |          |      |         |
|----------|----------|------|---------|
| DRN BY:  | RGC      | DATE | 7-23-02 |
| APPD BY: | JRC      | DATE | 7-23-02 |
| DWG NO.  | CT740105 | REV. | A3      |

SHEET NO. 1 OF 1



B

B

A

A

REV. 7/3/03