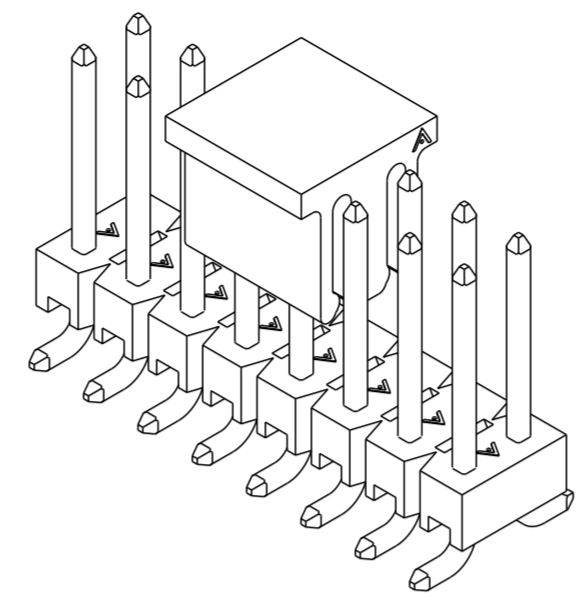
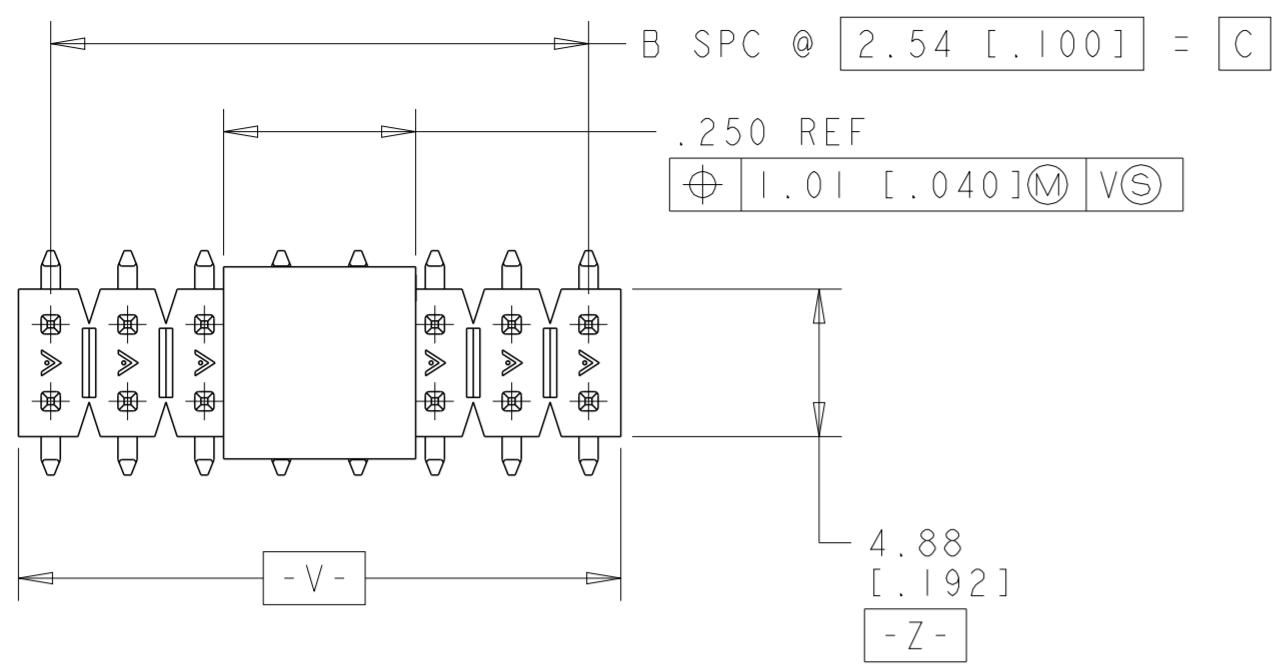


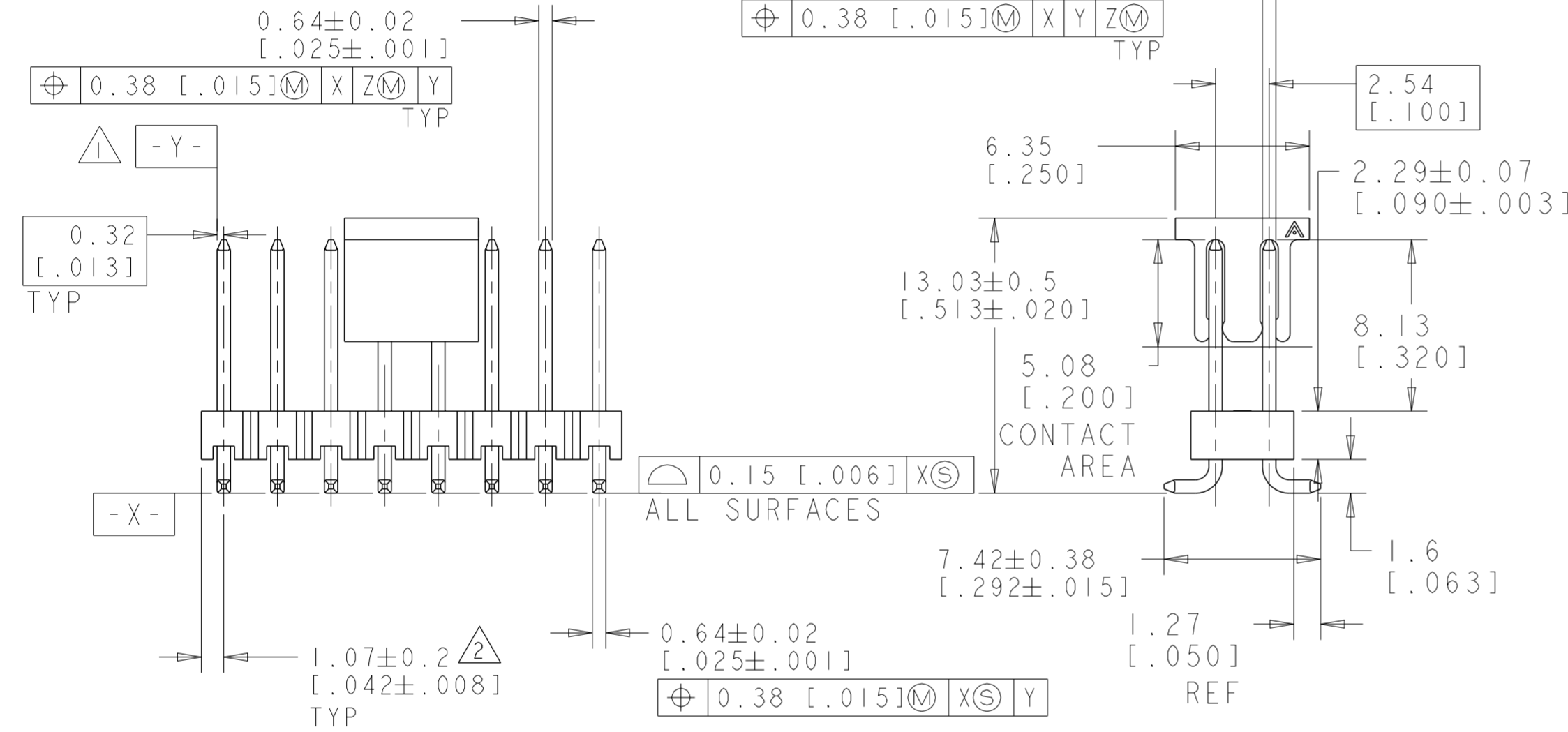
THIS DRAWING IS UNPUBLISHED. RELEASED FOR PUBLICATION  
 © COPYRIGHT 20 BY - ALL RIGHTS RESERVED.

REVISIONS				
P	LTR	DESCRIPTION	DATE	APVD
G1		REVISED PER ECO-15-011938	24AUG2015	NK MM

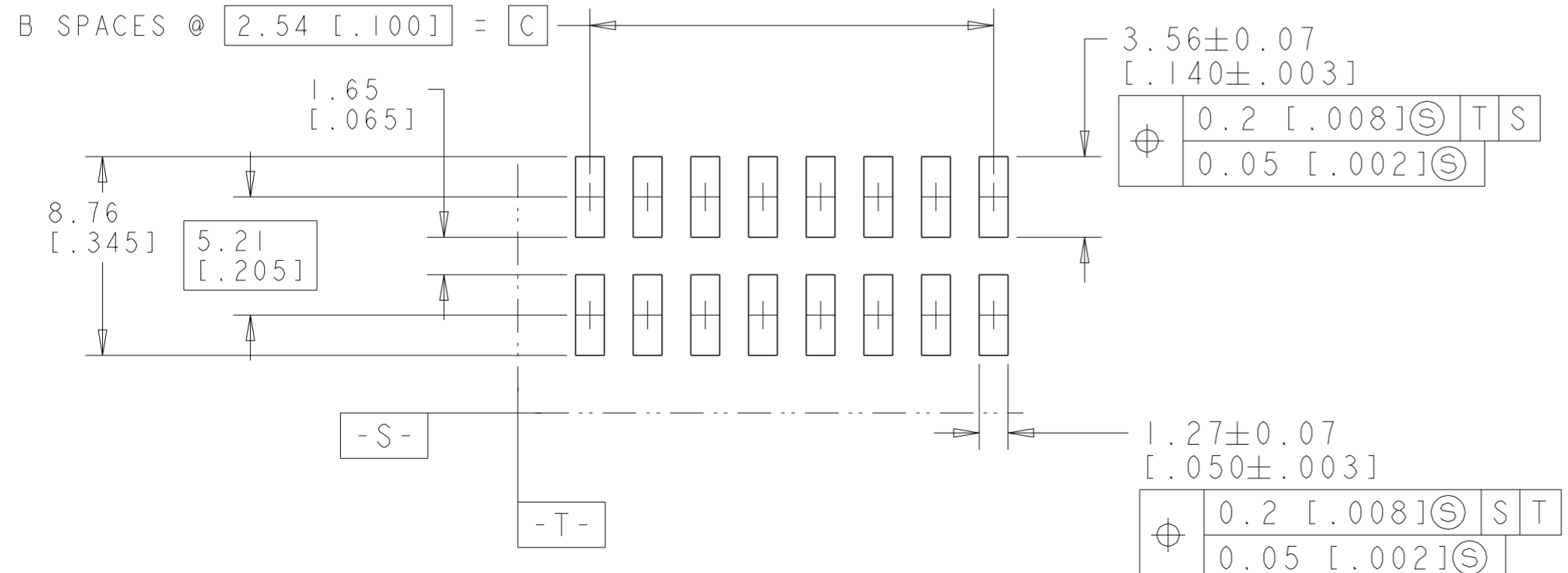
8 OBSOLETE



- 1 -Y- SHALL BE THE INTERSECTION OF THE POST AND THE HOUSING.
- 2 THE NOTED DIMENSIONS APPLY FROM THE BASIC DIMENSION (NOT THE POST CENTERLINE) TO THE SURFACE INDICATED.
- 3 0.000762 [ .000030 ] GOLD ON CONTACT AREA, 0.00254-0.00508 [ .000100-.000200 ] MATTE TIN-LEAD ON SOLDER TAIL, ALL OVER 0.00127 [ .000050 ] NICKEL.
- 4 HOUSING: LCP, COLOR-BLACK.  
POST: COPPER ALLOY.  
PICK AND PLACE CAP: PPA, COLOR-BLACK.
- 5 PRELIMINARY PART- NOT RELEASED FOR PRODUCTION.
- 6 PACKAGED IN TAPE AND REEL PER EIA-481 SPECIFICATIONS. SEE TABLE FOR WIDTHS.
- 7 0.000762 [ .000030 ] GOLD ON CONTACT AREA, 0.00254-0.00508 [ .000100-.000200 ] MATTE TIN ON SOLDER TAIL, ALL OVER 0.00127 [ .000050 ] NICKEL.



7	-	35.56 [ 1.400 ]	14	37.69 [ 1.484 ]	30	6-147447-4	5
7	-	33.02 [ 1.300 ]	13	34.23 [ 1.384 ]	28	6-147447-3	5
7	-	30.48 [ 1.200 ]	12	32.61 [ 1.284 ]	26	6-147447-2	5
7	-	27.94 [ 1.100 ]	11	30.07 [ 1.184 ]	24	6-147447-1	5
7	-	25.40 [ 1.000 ]	10	27.53 [ 1.084 ]	22	6-147447-0	5
7	-	22.86 [ .900 ]	9	25.00 [ .984 ]	20	5-147447-9	5
7	-	20.32 [ .800 ]	8	22.45 [ .884 ]	18	5-147447-8	5
7	-	17.78 [ .700 ]	7	19.91 [ .784 ]	16	5-147447-7	5
7	-	15.24 [ .600 ]	6	17.37 [ .684 ]	14	5-147447-6	5
7	32 mm	10.16 [ .400 ]	4	12.29 [ .484 ]	10	5-147447-5	5
7	-	12.70 [ .500 ]	5	14.83 [ .584 ]	12	5-147447-4	5
7	-	7.62 [ .300 ]	3	9.75 [ .384 ]	8	5-147447-3	5
7	-	5.08 [ .200 ]	2	7.21 [ .284 ]	6	5-147447-2	5
7	24 mm	2.54 [ .100 ]	1	4.67 [ .184 ]	4	5-147447-1	5
3	44 mm	17.78 [ .700 ]	7	19.91 [ .784 ]	16	<del>47447-8</del>	8
3	44 mm	15.24 [ .600 ]	6	17.37 [ .684 ]	14	<del>47447-7</del>	8
3	32 mm	12.70 [ .500 ]	5	14.83 [ .584 ]	12	<del>47447-6</del>	8
3	32 mm	10.16 [ .400 ]	4	12.29 [ .484 ]	10	<del>47447-5</del>	8
3	56 mm	35.56 [ 1.400 ]	14	37.69 [ 1.484 ]	30	<del>47447-4</del>	8
3	24 mm	2.54 [ .100 ]	1	4.67 [ .184 ]	4	<del>47447-3</del>	8
3	44 mm	22.86 [ .900 ]	9	25.00 [ .984 ]	20	<del>47447-2</del>	8
3	32 mm	7.62 [ .300 ]	3	9.75 [ .384 ]	8	<del>47447-1</del>	8



RECOMENDED PCB LAYOUT FOR USE WITH 0.20 [ .008 ] THICK STENCIL

PLATING	TAPE WIDTH	C	B	A	NO OF POSN	PART NUMBER
THIS DRAWING IS A CONTROLLED DOCUMENT.						
DIMENSIONS: mm [ INCHES ]		TOLERANCES UNLESS OTHERWISE SPECIFIED:		DWN B. HAYMAKER 17APPROO CHK J. GEFORD 17APPROO APVD J. GEFORD 17APPROO		
0 PLC ± 1 PLC ± 2 PLC ± 3 PLC ±0.13 [ .005 ] 4 PLC ±		ANGLES ±		NAME SURFACE MOUNT HDR ASSY, MOD 11, B/A, VERT, D/R, 100 C/L, .025 SQ. POST, WITH PICK AND PLACE CAP		
MATERIAL		FINISH SEE TABLE		APPLICATION SPEC		
4		SEE TABLE		SIZE A200779 CAGE CODE C-147447		
Customer Drawing		SCALE 4:1		DRAWING NO. RESTRICTED TO		
		SHEET OF		REV G1		