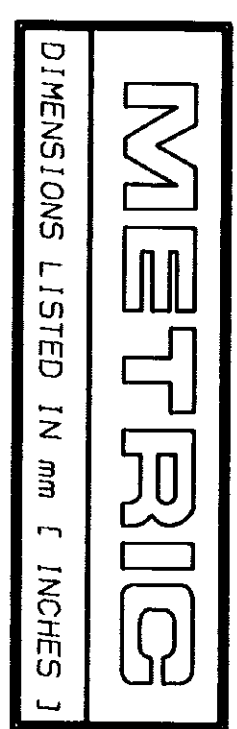
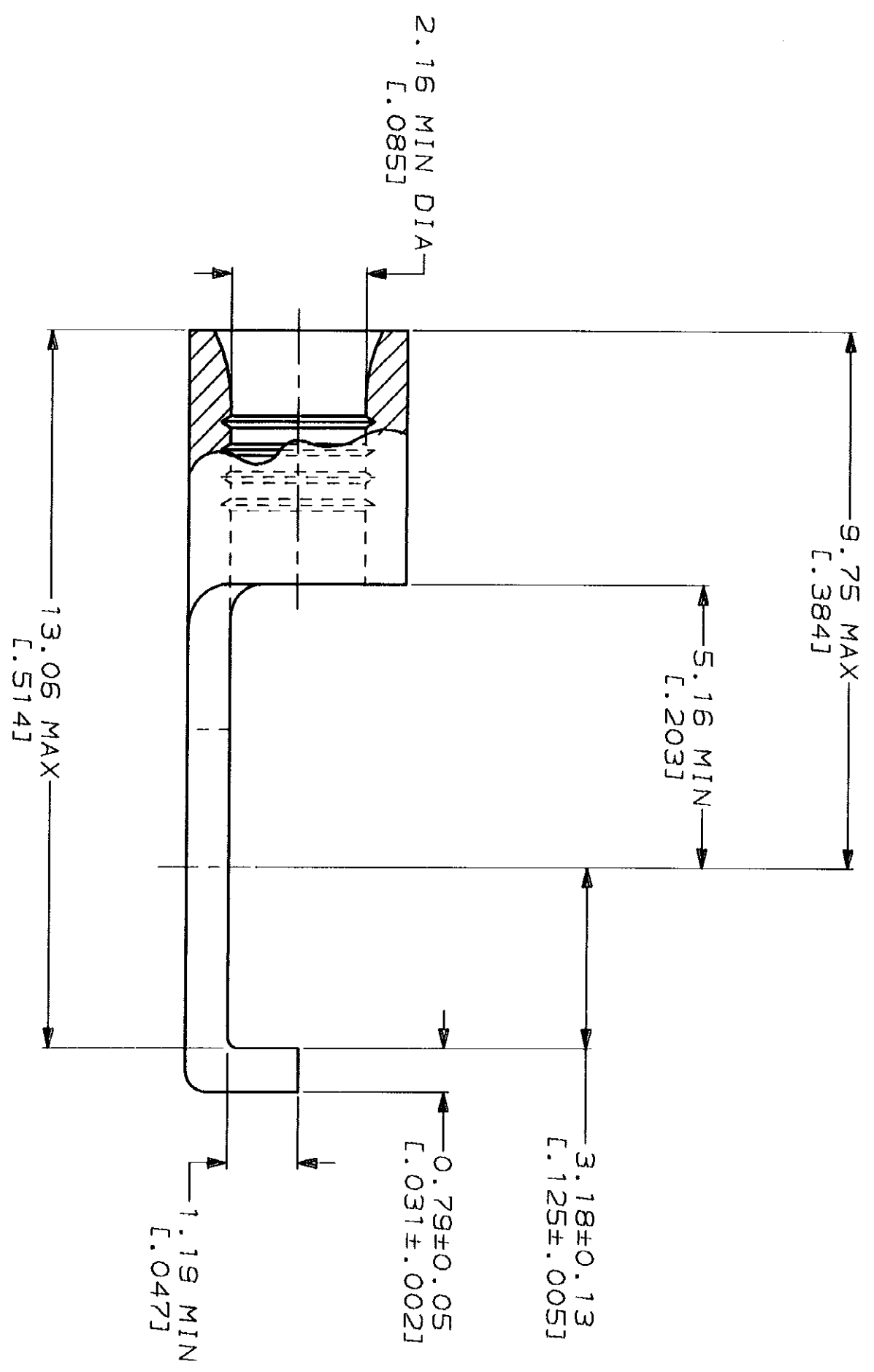
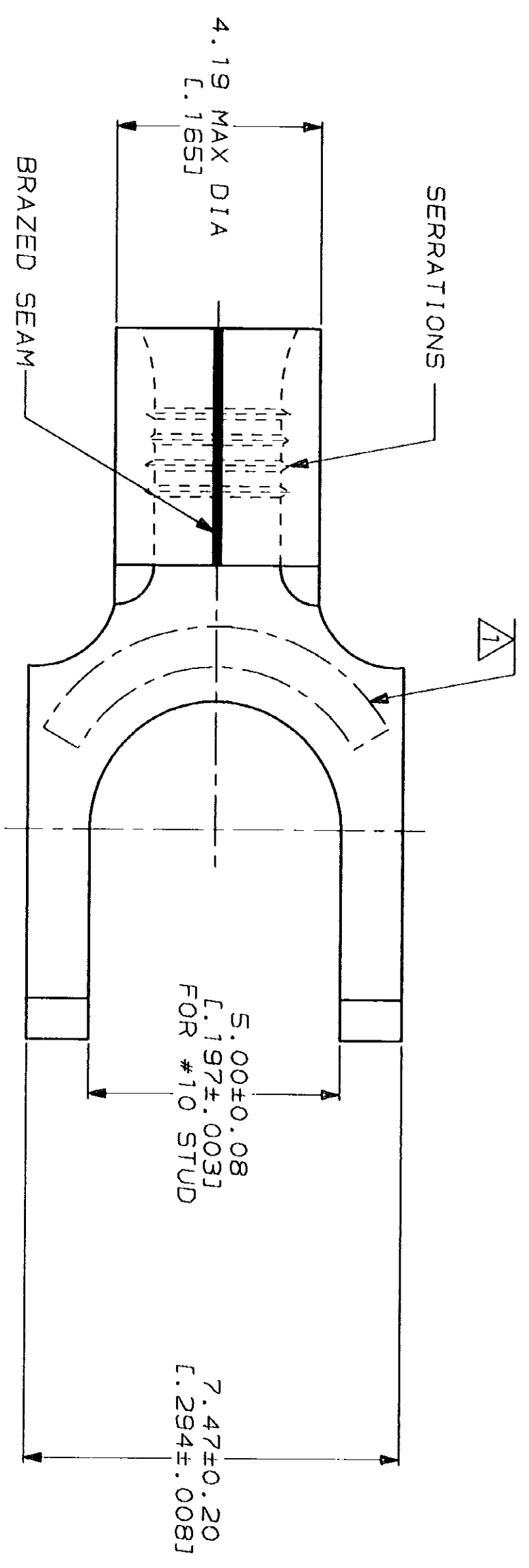


LOC	DIST	REV	ZONE	YR	DESCRIPTION	DATE	APPD
G	14	P		C	REV, RDRW, & SM PKG PER 0720-0040-93	4-8-93	KR DAP



<b>AMP</b> WIRE RANGE	<b>UL</b> E13288 Listed
16-14 AWG SOLID OR STRANDED	16-14 AWG SOLID OR STRANDED
<b>LR7189</b> Certified	MILITARY P/N AND CLASS
16-14 AWG SOLID OR STRANDED	NOT APPLICABLE

△ STAMP AMP 16-14\* APPROX AS SHOWN



**AMP INCORPORATED  
 CUSTOMER SERVICE SYSTEMS**

FOR ADDITIONAL PRODUCT INFORMATION OR COPIES OF DRAWINGS AND TECHNICAL DOCUMENTS	PRODUCT INFORMATION CENTER 1-800-522-6752	MAX RECOMMENDED OPERATING TEMPERATURE: 170°C MAX	DO NOT SCALE PRINT. UNLESS SPECIFIED DIMENSIONS IN INCHES TOLERANCES ON: 2 PLC DEC # - 3 PLC DEC # - ANGLES # -
FOR APPLICATION TOOLING INFORMATION	TOOLING ASSISTANCE CENTER 1-800-722-1111	VOLTAGE RATING: NOT APPLICABLE	MATERIAL COPPER PER ASTM B-152 ANNEALED
FOR ORDER ENTRY	1-800-526-5142	WIRE CROSS SECTIONAL AREA RANGE: SOLID OR STRANDED	FINISH TIN PLATE 0.00254 [L.000100] MIN THK PER MIL-T-10727

QUANTITY	PACKAGING TYPE	PART NO
100	LOOSE PIECE, BOX	8-320857-1
5000	ON TAPE	2-320857-1
---	LOOSE PIECE	320857

**AMP** AMP Incorporated  
 Harrisburg, PA 17105-3608

TERMINAL, FLANGED  
 SPADE, SOLISTRAND™

DR 4-8-93 TA BRINKMAN	NAME
CHK 4-8-93 DA PATTERSON	AMP
APPD 4-8-93 DE MILLER	SIZE
APPD 4-8-93 JL MECKLEY	CAGE CODE
PRODUCT SPEC	DRAWING NO
APPLICATION SPEC	SCALE 10:1
WEIGHT	SHEET