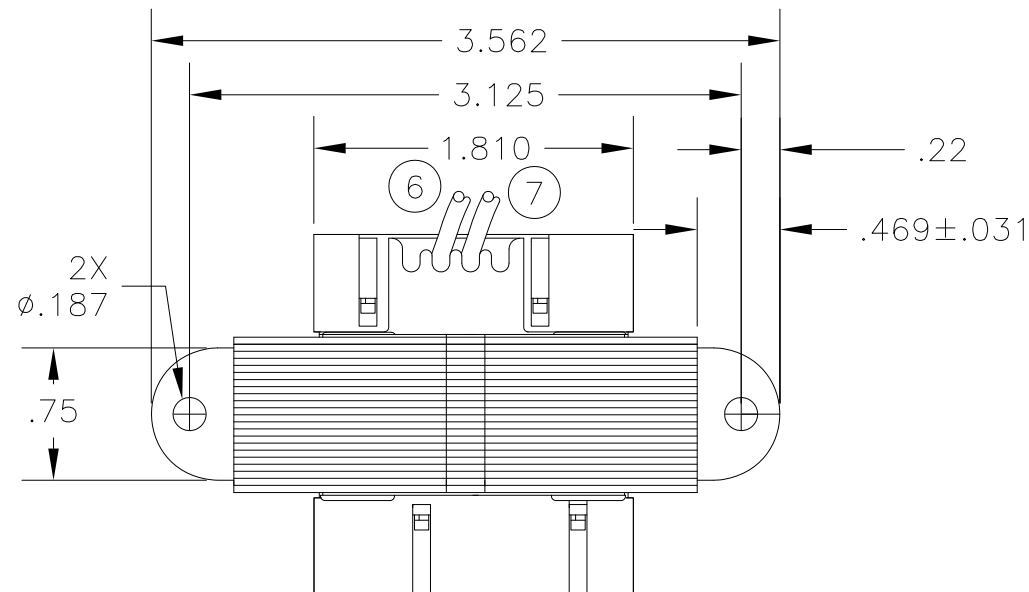


THIS DRAWING IS UNPUBLISHED. RELEASED FOR PUBLICATION  
 © COPYRIGHT BY TYCO ELECTRONICS CORPORATION. ALL INTERNATIONAL RIGHTS RESERVED.

LOC	DIST	REVISIONS					
GZ	00	P	LTR	DESCRIPTION	DATE	DWN	APVD
		B		ECR-10-011673	14JUN2010	SPN	DB



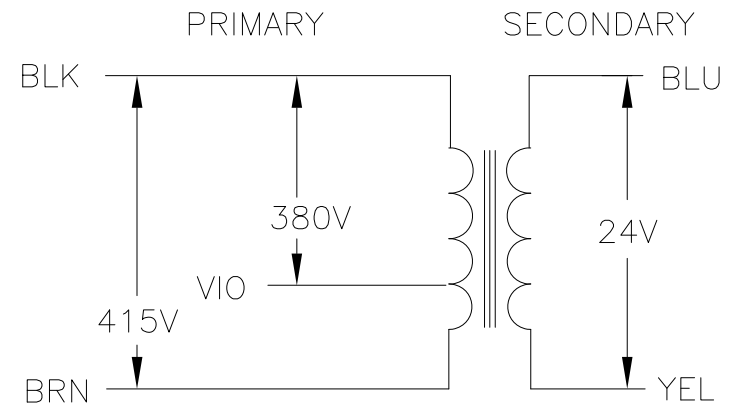
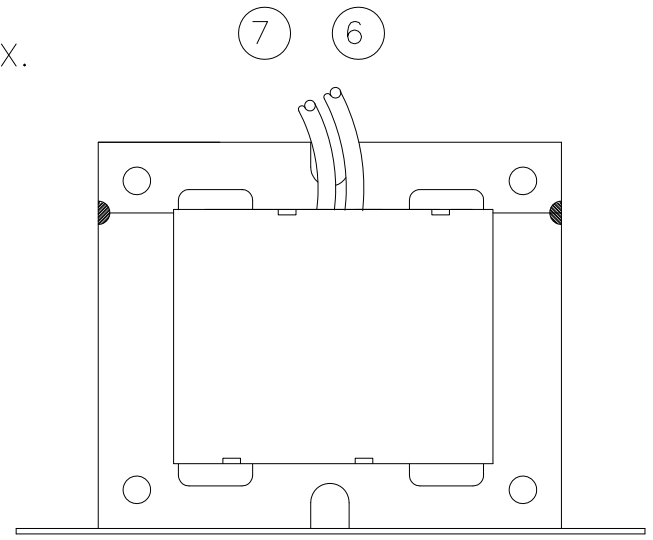
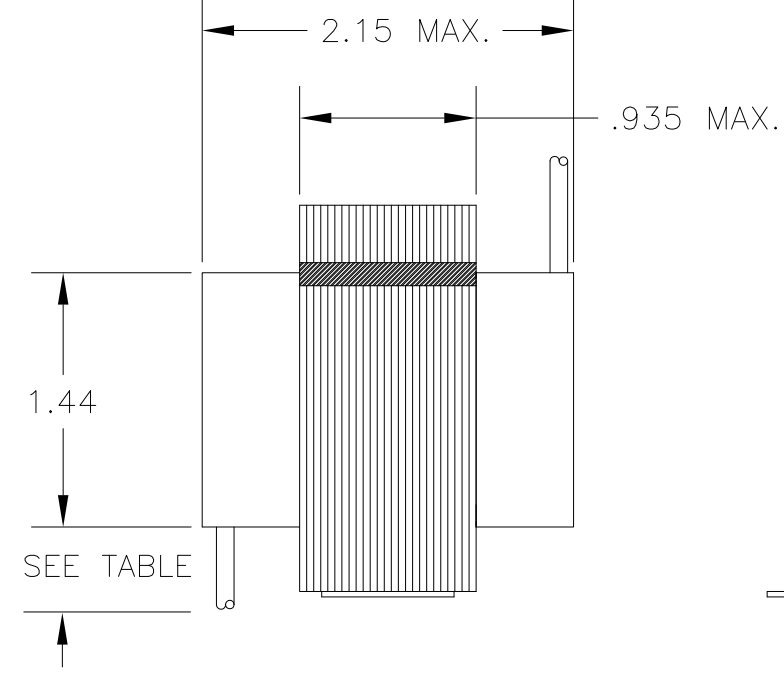
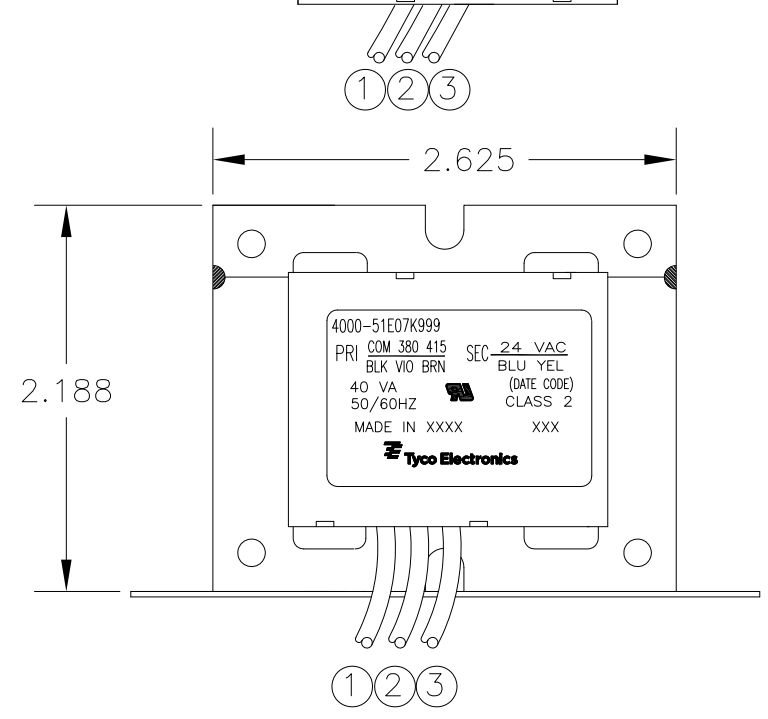
ALL LEADS 18AWG-UNLESS OTHERWISE SPECIFIED

PRIMARY					
LEAD NO.	1	2	3	4	5
VOLTAGE	COM	380	415		
COLOR	BLK	VIO	BRN		
LENGTH	12.0	12.0	12.0		
STRIP LENGTH	.50	.50	.50		

NOTES  
 1. WINDING PROTECTION-INHERENTLY LIMITING

CERTIFICATION:( UL ONLY )  
 UL FILE NO E87824

SECONDARY				
LEAD NO.	6	7	8	9
VOLTAGE	24	VAC		
COLOR	BLU	YEL		
LENGTH	12.0	12.0		
STRIP LENGTH	.50	.50		



SCHEMATIC

TYCO ELECTRONICS PART NUMBER  
 9-1611455-5

THIS DRAWING IS A CONTROLLED DOCUMENT.		DWN	K.H.	10FEB04	Tyco Electronics Corporation Harrisburg, PA 17105-3608	
DIMENSIONS: INCHES		CHK	DH	10FEB04		
TOLERANCES UNLESS OTHERWISE SPECIFIED: (REF. ONLY)		APVD	HT	10FEB04		
0 PLC ± - 1 PLC ± - 2 PLC ± - 3 PLC ± - 4 PLC ± - ANGLES ± -		NAME		TRANSFORMER OUTLINE		
MATERIAL		SIZE		CAGE CODE	DRAWING NO	RESTRICTED TO
-		A3		00779	©=4000-51E07K999	
FINISH		WEIGHT		CUSTOMER DRAWING		SCALE NTS
-		-		SHEET 1 OF 1		REV B