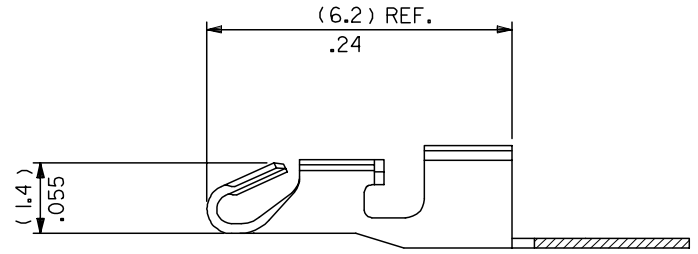
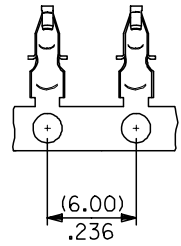
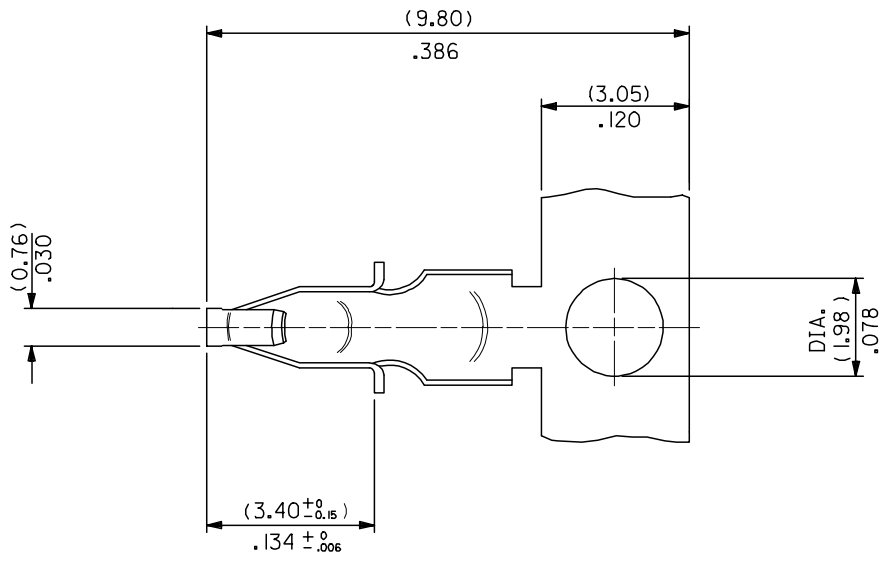
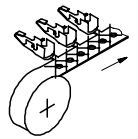


10 9 8 7 6 5 4 3 2 1

F
E
D
C
B
A



NOTE: INTER LEAF PAPER BETWEEN LAYERS



UNREELING DIRECTION TO CUSTOMER

NOTES.

1. MATERIAL: (0.20)/.008 PHOS.BR, PER E.S. 99001-0454.
2. PLATING: HOT TIN DIP 1.0µm - 2.5 µm
3. TERMINAL WILL ACCOMODATE
22 AWG SOLID OR FUSED WIRE
24 AND 26 AWG SOLID, STRANDED OR FUSED WIRE
WITH (1.52)/.060 MAX. INSULATION DIA.
4. P.C.B. MOUNTING HOLE:
22 AWG DIA (1.23/1.30)-.048/.051
24 AND 26 AWG DIA (1.17/1.25)-.046/.049
5. MAX. PCB THICKNESS (1.57±0.20)/.062±.008

2	M
1	M

UPDATED NOTE 2 EC NO: E2007-0844 DRWN:DMAHER CHKD: APPR:EFOLAN 2007/04/05 2007/04/12 2007/04/13	QUALITY SYMBOLS ▽=0 ▽=0	GENERAL TOLERANCES (UNLESS SPECIFIED)		DIMENSION STYLE MM/IN		SCALE 10:1	DESIGN UNITS METRIC	THIRD ANGLE PROJECTION	
		4 PLACES ± --- ± --- 3 PLACES ± --- ± .008 2 PLACES ± 0.20 ± .015 1 PLACE ± 0.38 ± --- ANGULAR ± .5 °	mm INCH	DRAWN BY MC	DATE 88/10/30	TITLE PCM CRIM TERM BRD-IN STAND ALONE 1TNL		MOLEX INCORPORATED	
M	REV	DRAFT WHERE APPLICABLE MUST REMAIN WITHIN DIMENSIONS		APPROVED BY MWILHITE	DATE 96/07/22	MATERIAL NO. 901980001	DOCUMENT NO. SD-90198	SHEET NO. 1 OF 2	
THIS DRAWING CONTAINS INFORMATION THAT IS PROPRIETARY TO MOLEX INCORPORATED AND SHOULD NOT BE USED WITHOUT WRITTEN PERMISSION									

9 8 7 6 5 4 3 2 1