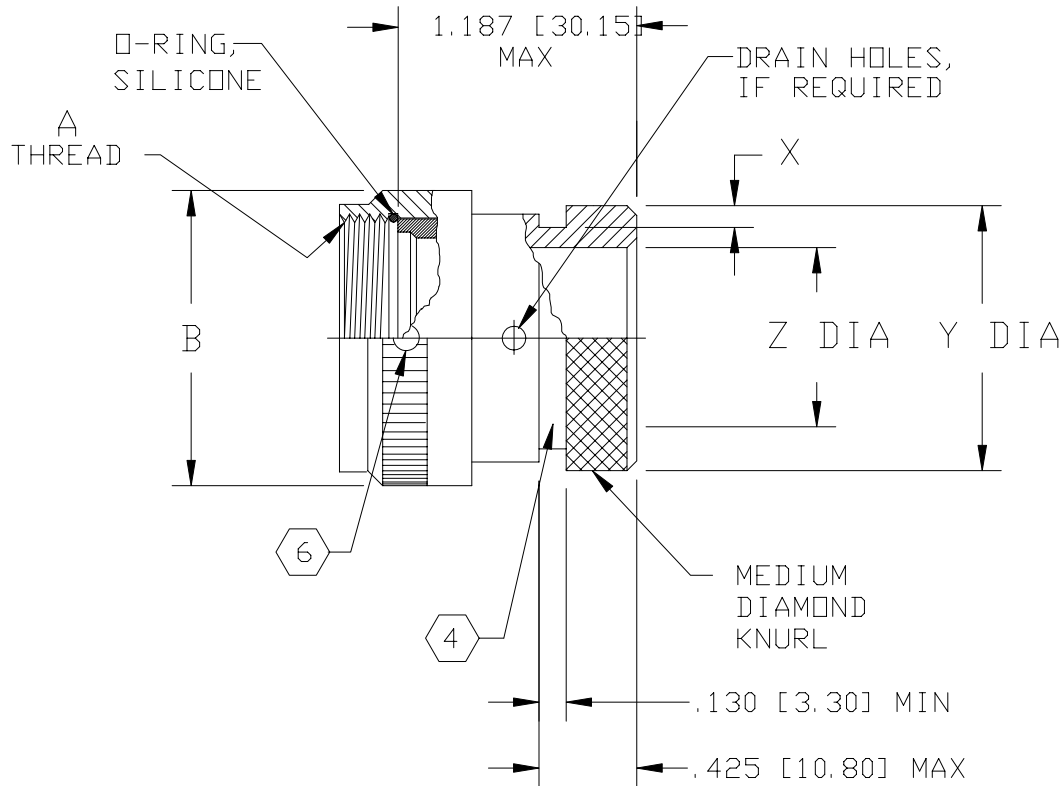


REVISIONS			
LTR	DESCRIPTION	DATE	APPROVED
H	REVISED PER ECN AD93031		




NOTES:

1. THIS PRODUCT IS DESIGNED TO TERMINATE A HEAT SHRINKABLE LIPPED BOOT TO A CONNECTOR.
2. FOR ADDITIONAL DIMENSIONS, ORDERING INFORMATION AND MODIFICATIONS, SEE CH00-0250-0
3. ADAPTER TO BE PERMANENTLY MARKED WITH CODE IDENT. NO. AND PART NO. (E.G.: 06090-203M912-19B).
4. KNURL INSIDE BOOT GROOVE MAY BE SUPPLIED AT MANUFACTURER'S OPTION.
5. ADAPTER MATES TO: MIL-C-26482 SERIES I, MS3110, MS3111, MS3116 CLASS E & F CONNECTORS.
6. ANTI-ROTATIONAL SET SCREW, THREE THREADED HOLES 120° ± 5° APART, SINGLE MATING SET SCREW SUPPLIED: AN565DC4H2. NOT REQUIRED FOR TYPE II ADAPTERS.

If this document is printed it becomes uncontrolled.
Check for the latest revision.

SPECIFICATION CONTROL DRAWING

UNLESS OTHERWISE SPECIFIED DIMENSIONS ARE IN INCHES. METRIC DIMENSIONS ARE IN BRACKETS. DECIMALS .XXX ± — [mm] .XX ± — [mm] .X ± — [mm] ANGLES .X ± —	DRAWN E. GOLDY DATE 05-25-93		Tyco Electronics Corporation 300 Constitution Drive Menlo Park, CA. 94025 U.S.A.			
	CHECKED DATE				TITLE ADAPTER, SPIN COUPLING CODE 21	
	APPROVED DATE	CAD NAME \ACAD12\203M9XX	SIZE A	CODE IDENT. NO. 06090	DWG. NO. 203M9XX	REV H
	APPROVED DATE	THIRD ANGLE PROJECTION 	DO NOT SCALE THIS DWG		SHEET 1 OF 2	

BASE PART NUMBER	SHELL SIZE 	A THREAD CLASS 2B	B DIA MAX	X MIN	Y	Z MIN
					+ .000 - .030 [+0.00] [-0.76] DIA	
203M908	8	.438-28 UNEF	.79 [20.1]	.044 [1.12]	.533 [13.54]	.261 [6.63]
203M910	10	.562-24 UNEF	.91 [23.1]	↑	.605 [15.37]	.365 [9.27]
203M912	12	.688-24 UNEF	1.07 [27.2]		.774 [19.66]	.511 [12.98]
203M914	14	.812-20 UNEF	1.19 [30.2]	↓	.838 [21.29]	.605 [15.37]
203M916	16	.938-20 UNEF	1.32 [33.5]		.963 [24.46]	.730 [18.54]
203M918	18	1.062-18 UNEF	1.44 [36.6]	.044 [1.12]	1.042 [26.47]	.832 [20.90]
203M920	20	1.188-18 UNEF	1.57 [39.9]	.069 [1.75]	1.217 [30.91]	.949 [24.10]
203M922	22	1.312-18 UNEF	1.69 [42.9]	↑ ↓	1.355 [34.42]	1.074 [27.28]
203M924	24	1.438-18 UNEF	1.79 [45.5]	.069 [1.75]	1.443 [36.65]	1.168 [29.67]

If this document is printed it becomes uncontrolled.
Check for the latest revision.

SIZE	CODE IDENT. NO.	DWG. NO.	REV
A	06090	203M9XX	H
DO NOT SCALE THIS DWG		CAD NAME \ACAD12\203M9X-2	SHEET 2 OF 2