



FEATURES

- 80 PLUS Platinum Efficiency
- 12V main output
- 12V standby output
- 1U height
- Redundant (1+1) operation
- Power Factor Correction
- Overvoltage, overcurrent, overtemperature protection
- Remote on/off control
- Remote sense
- Internal cooling fan (variable speed)
- PMBus interface
- RoHS compliant
- Three year warranty

Model List

Model Number	Input Voltage Range	Output Main Voltage	Output Current Range	Output Standby Voltage	Output Standby Voltage	Rated Power	AC Input Current	Inrush Current	Efficiency
	VAC	VDC	A	VDC	A		A		
DPS-550AB-11 D	90~264	12	1~45	12	0~3	550	<7.1 (100~127VAC) <3.4 (200~240VAC)	<60	94 @ 50% load
DPS-800AB-16 F			0~65		0~2		800		
DPS-1200AB-4 G			0.5~82 (LL) 0.5~98 (HL)			1000 (LL) 1200 (HL)	<12.47 (100~127VAC) <7.08 (200~240VAC)		
DPS-1600AB-12 A			0.1~82 (LL) 0.1~132 (HL)		1000 (LL) 1600 (HL)		<12 (100~127VAC) <9.48 (200~240VAC)		
DPS-2000CB A			1~73 (90~99VAC) 1~82 (100~127VAC) 1~132 (180~199VAC) 1~148 (200~219VAC) 1~162 (220~240VAC)		0.05~2	1000 (LL) 2000 (HL)	<12.5 (100~127VAC) <10 (200~240VAC)	<35	

Input Characteristics

Parameter	
Frequency	47~63 Hz
Power Factor	>0.95 @ 50% load
Leakage Current	<1mA @ 240VAC/50Hz for DPS-550AB-11 D, DPS-2000CB A only <1.75mA @ 240VAC/50Hz for DPS-800AB-16 F only <0.875mA @ 240VAC/50Hz for DPS-1200AB-4 G, DPS-1600AB-12 A only

Output Characteristics

Parameter	
Ripple & Noise (Note 1)	12V: <120mVp-p for DPS-550AB-11 D, DPS-800AB-16 F, DPS-1200AB-4 G only 12VSB: <120mVp-p for DPS-550AB-11 D, DPS-800AB-16 F, DPS-1200AB-4 G only 12V: <200mVp-p for DPS-1600AB-12 A, DPS-2000CB A only 12VSB: <200mVp-p for DPS-1600AB-12 A, DPS-2000CB A only
Voltage Regulation	12V: $\pm 5\%$ 12VSB: $\pm 5\%$
Rise Time	1-50ms for DPS-550AB-11 D only 2-70ms for DPS-800AB-16 F only 1-70ms for DPS-1200AB-4 G only 5-70ms for DPS-1600AB-12 A, DPS-2000CB A only
Hold Up Time	>10ms

Protections

Parameter	
Overload	110%~150% of rated current, shutdown and latch off
Over Voltage	12V: 13.5V~15V 12VSB: 13.5V~15V Shutdown and latch off
Over Temperature	Shutdown

Environmental Specifications

Parameter	
Operating Temperature Range	0~50°C
Storage Temperature Range	-40~70°C
Storage Humidity	5~90%
Altitude	<5000m
MTBF	200,000 hours (80% load and 35°C by Telcordia SR332)
Dimension	185*73.5*40mm for DPS-550AB-11 D, DPS-800AB-16 F, DPS-1200AB-4 G only 195*73.5*40mm for DPS-1600AB-12 A, DPS-2000CB A only
Weight	0.9Kg for DPS-550AB-11 D, DPS-800AB-16 F only 1Kg for DPS-1200AB-4 G only 1.1Kg for DPS-1600AB-12 A, DPS-2000CB A only

Safety

Parameter	Standards
Safety Approvals	TUV+CB, UL & cUL 60950, CCC, CE, FCC, KC for DPS-550AB-11 D, DPS-1600AB-12 A only NEMKO+CB, UL & cUL 60950, CCC, CE, KC for DPS-800AB-16 F and DPS-1200AB-4 G only TUV+CB, UL & cUL 60950, CCC, CE, BSMI, KC for DPS-2000CB A only
EMC Emission	EN55022 (CISPR22) Class A, EN61000-3-2, -3
EMC Immunity	EN55024, EN61000-4-2,3,4,5,6,8,11

Function

Parameter	
PG signal (PW OK)	Active TTL high when output is within regulation limits
PS-ON signal	The output will be enabled when this signal is pulled low, outputs disabled when pin is driven high or left open
SMBAlert Signal	Signal high when power supply is working fine. Signal low when error occurs. (Ex: AC line loss for more than 2 ms)

Remote Sense	+/-300mV
--------------	----------

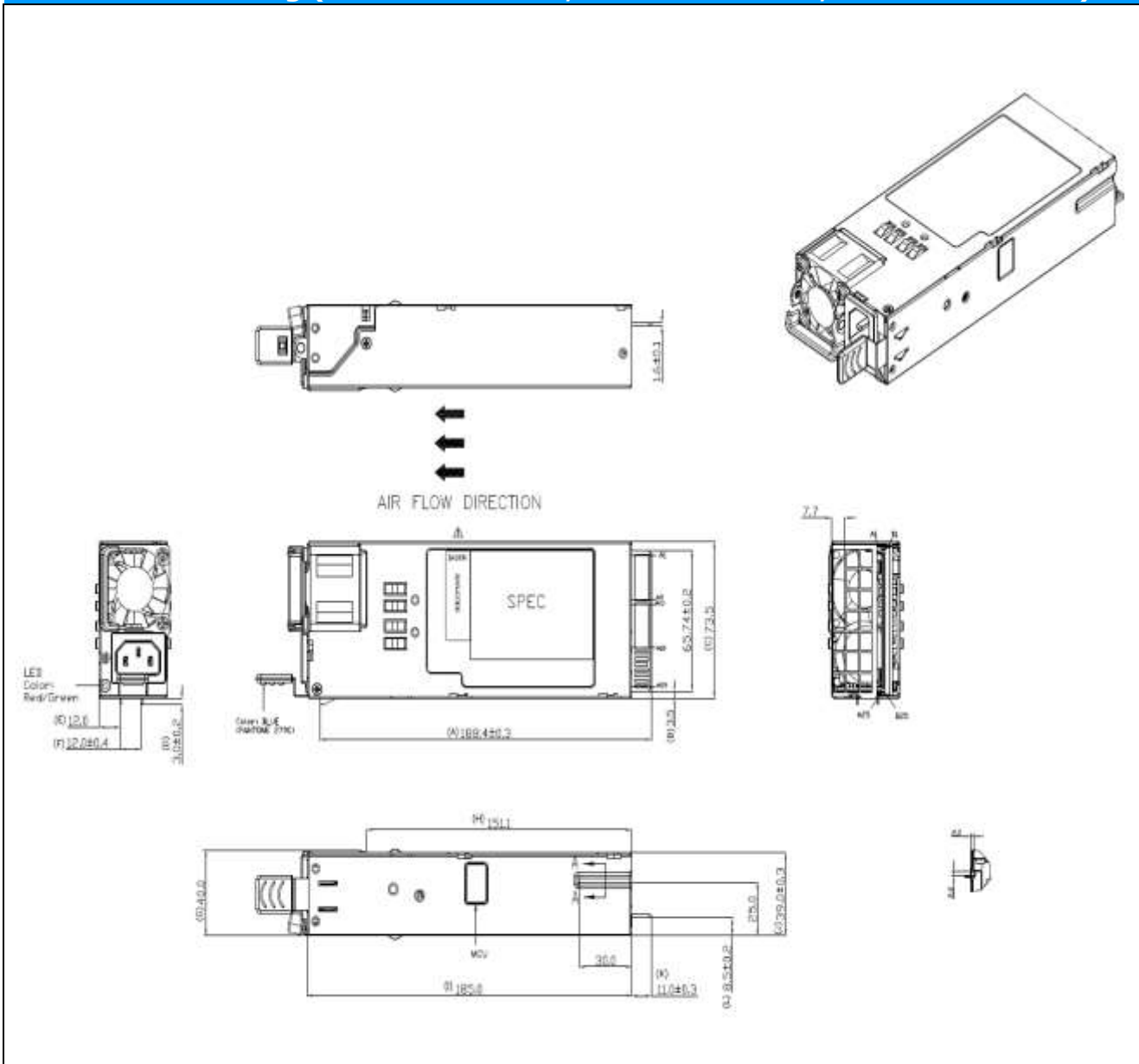
LED Indicator States

Power Supply Condition	LED State
Normal work	Green
No AC power to all power supplies	Off
AC present / Only 12VSB on (PS off) or PS in CR state	1Hz Blink Green
AC cord unplugged; with a second power supply in parallel still with AC input power	Red
Power supply warning events where the power supply continues to operate; high temp, high power, high current, slow fan, input voltage lower than 90Vac	1Hz Blink Red
Power supply critical event causing a shutdown; failure, OCP, OVP, Fan Fail	Red

Notes

- 1 Ripple & Noise measurement bandwidth is 0-20MHz, with 10 μ F, ceramic capacitor and 1 μ F ceramic capacitor.

Mechanical Drawing (DPS-550AB-11 D, DPS-800AB-16 F, DPS-1200AB-4 G)



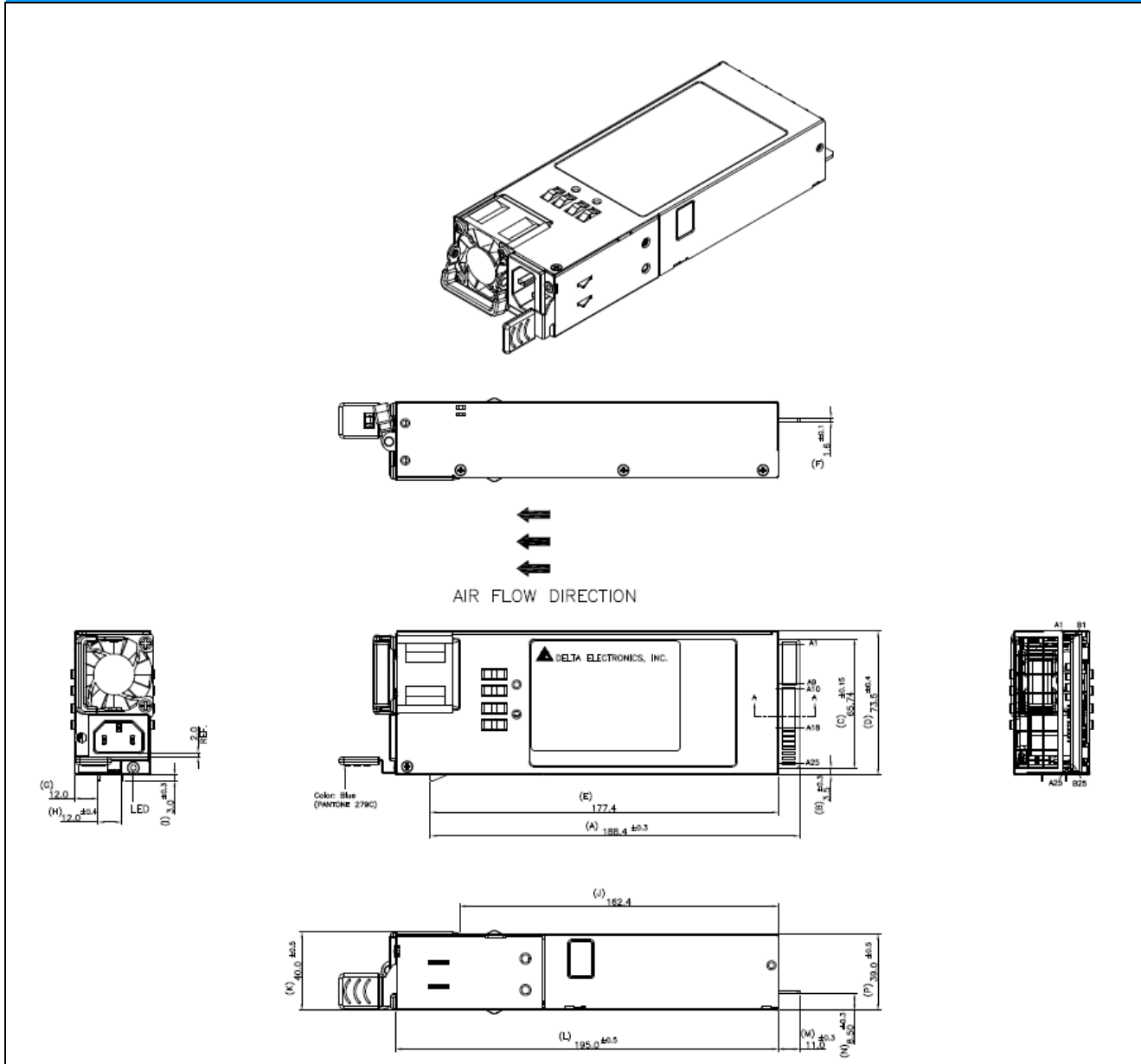
Mating Connector is FCI 10035388-102LF (DUAL ROW 2x55 total 50 pin) or equivalent

Output Pin Assignment

PIN	Signal Name	PIN	Signal Name
A1	GND	B1	GND
A2	GND	B2	GND

A3	GND	B3	GND
A4	GND	B4	GND
A5	GND	B5	GND
A6	GND	B6	GND
A7	GND	B7	GND
A8	GND	B8	GND
A9	GND	B9	GND
A10	+12V	B10	+12V
A11	+12V	B11	+12V
A12	+12V	B12	+12V
A13	+12V	B13	+12V
A14	+12V	B14	+12V
A15	+12V	B15	+12V
A16	+12V	B16	+12V
A17	+12V	B17	+12V
A18	+12V	B18	+12V
A19	SDA	B19	A0
A20	SCL	B20	A1
A21	PSON	B21	12VSB
A22	SMB-ALERT	B22	CR_1
A23	RETRUN_S	B23	12LS
A24	+12VRS	B24	NC
A25	PWOK	B25	NC

Mechanical Drawing (DPS-1600AB-12 A)

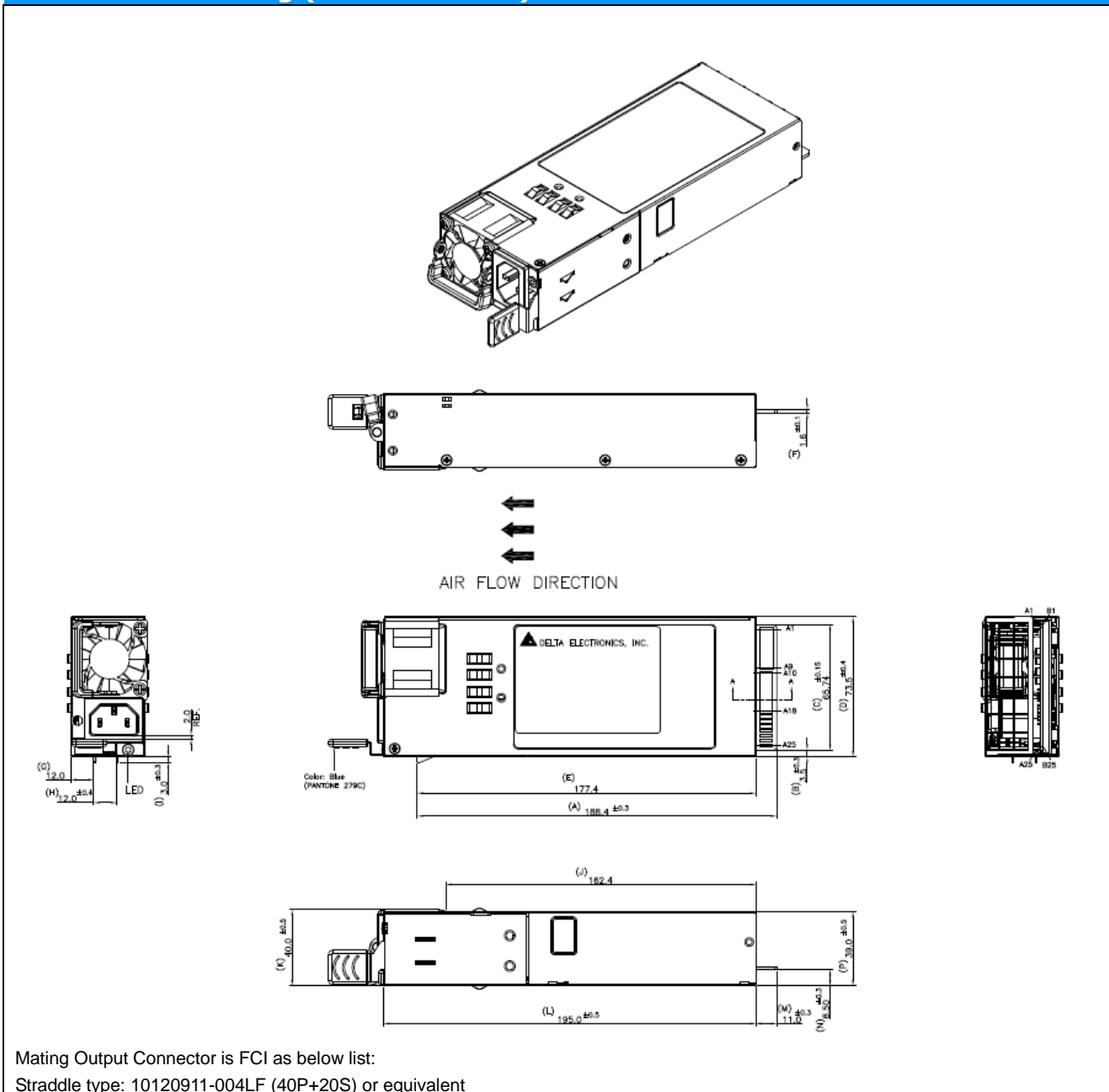


Mating Connector is FCI 10035388-102LF (DUAL ROW 2x55 total 50 pin) or equivalent

Output Pin Assignment			
PIN	Signal Name	PIN	Signal Name
A1	GND	B1	GND

A2	GND	B2	GND
A3	GND	B3	GND
A4	GND	B4	GND
A5	GND	B5	GND
A6	GND	B6	GND
A7	GND	B7	GND
A8	GND	B8	GND
A9	GND	B9	GND
A10	+12V	B10	+12V
A11	+12V	B11	+12V
A12	+12V	B12	+12V
A13	+12V	B13	+12V
A14	+12V	B14	+12V
A15	+12V	B15	+12V
A16	+12V	B16	+12V
A17	+12V	B17	+12V
A18	+12V	B18	+12V
A19	SDA	B19	A0
A20	SCL	B20	A1
A21	PSON	B21	12VSB
A22	SMB-ALERT	B22	CR_1
A23	RETRUN_S	B23	12LS
A24	+12VRS	B24	NC
A25	PWOK	B25	NC

Mechanical Drawing (DPS-2000CB A)



Vertical Type: 10120871-001LF (40P+20S) or equivalent

Output Pin Assignment			
PIN	Signal Name	PIN	Signal Name
P1	GND	P40	GND
P2	GND	P39	GND
P3	GND	P38	GND
P4	GND	P37	GND
P5	GND	P36	GND
P6	GND	P35	GND
P7	GND	P34	GND
P8	GND	P33	GND
P9	GND	P32	GND
P10	GND	P31	GND
P11	+12V	P30	+12V
P12	+12V	P29	+12V
P13	+12V	P28	+12V
P14	+12V	P27	+12V
P15	+12V	P26	+12V
P16	+12V	P25	+12V
P17	+12V	P24	+12V

P18	+12V	P23	+12V
P19	+12V	P22	+12V
P20	+12V	P21	+12V
S1	-	S20	12VSB
S2	PSKILL	S19	12VSB
S3	12VLS	S18	12VSB
S4	SDA	S17	PS_ON
S5	SCL	S16	12VRS+
S6	A1	S15	A2
S7	PW_OK	S14	12VRS-
S8	-	S13	AC_FAIL
S9	PRESENT_N	S12	A0
S10	SMART_ON	S11	SMB_ALERT

WARRANTY

Delta offers a three (3) years limited warranty. Complete warranty information is listed on our web site or is available upon request from Delta.

Information furnished by Delta is believed to be accurate and reliable. However, no responsibility is assumed by Delta for its use, nor for any infringements of patents or other rights of third parties, which may result from its use. No license is granted by implication or otherwise under any patent or patent rights of Delta. Delta reserves the right to revise these specifications at any time, without notice.