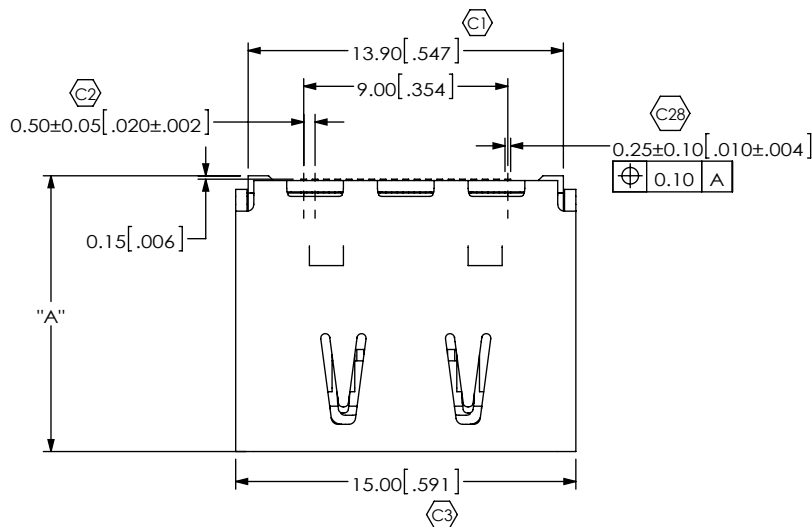


DO NOT SCALE FROM THIS PRINT

- NOTES:
 1. CC REPRESENTS A CRITICAL DIMENSION.
 2. PARTS SHALL BE ROHS COMPLIANT.
 3. PARTS TO BE PACKAGED IN TRAYS, TAIL SIDE DOWN.
 (LESS THAN FULL TRAY QUANTITIES ARE TO BE PACKAGED IN COVERED TRAYS TRIMMED TO MATCH QUANTITY ORDERED)
 4. HDMR FORMERLY NAMED HDMI.
 5. DIMENSION APPLIES TO CONTACT & SHIELD.

DESIGNED & DIMENSIONED IN MILLIMETERS [INCHES]

(SEE NOTE 4)
 HDMR-XX-XX-X-XX-XX-XX



No OF POSITIONS
 -19: (SEE SHT 1, FIG. 1)
 -29: (SEE SHT 3)

SHIELD TAIL STYLE
 -01: THROUGH HOLE
 -02: SURFACE MOUNT (SEE SHT 2, FIG 2) (-19 POS ONLY)

PACKAGING OPTION
 -TR: TAPE & REEL (ONLY AVAILABLE WITH OUT -PF OPTION)

OPTION
 -PF: PANEL FLANGE (SEE SHT 2, FIG. 4)
 -L: LOCKING OPTION (ONLY AVAILABLE ON HDMR-19-01-X-TH-PF-L, SEE SHT 2, FIG 5 & HDMR-29-01-X-TH-PF-L, SEE SHT 3 FIG 8)

LEAD TERMINATION
 -SM: SURFACE MOUNT
 -TH: THROUGH HOLE (ONLY AVAILABLE ON HDMR-19-01-X-TH-PF-L) (SEE SHT 2, FIG 3)

PLATING CC
 (-19 POSITION)
 -S: CONTACT AREA: .000030" GOLD
 TAILS: BRIGHT ACID TIN
 SHELL: NICKEL
 -F: CONTACT AREA: .000001" GOLD
 TAILS: BRIGHT ACID TIN
 SHELL: NICKEL
 (-29 POSITION)
 -S: CONTACT AREA: .000030" GOLD
 TAILS: BRIGHT ACID TIN
 SHELL: NICKEL
 -F: CONTACT AREA: .000001" GOLD
 TAILS: BRIGHT ACID TIN
 SHELL: NICKEL

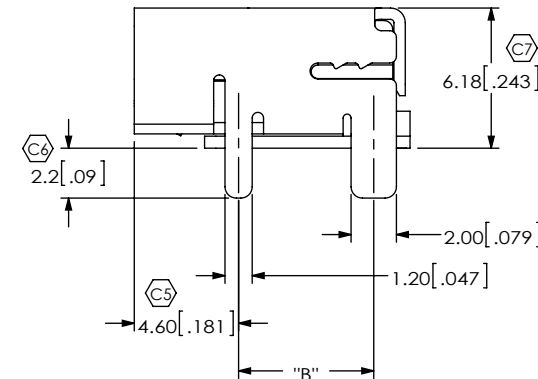
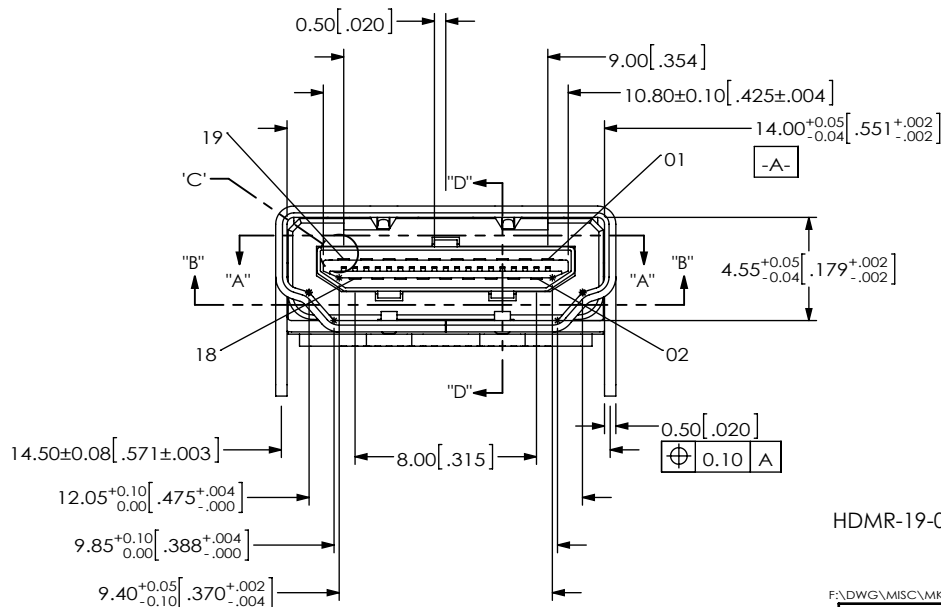
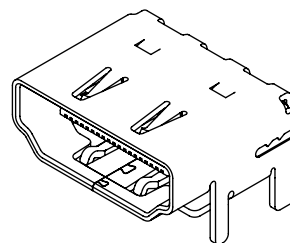


FIG 1
 HDMR-19-01-X-SM SHOWN

F:\DWG\MISC\MKTG\HDMR-XX-XX-X-XX-XX-XX-MKT.SLDDRW

TABLE 1		
AVAIL. CONFIGURATIONS	"A"	"B"
HDMR-19-01-X-SM	12.16	5.96
HDMR-19-02-X-SM	12.16	5.96
HDMR-19-01-X-SM-PF	12.16	5.96
HDMR-19-02-X-SM-PF	12.16	5.96
HDMR-19-01-X-TH-PF-L	12.25	6.00
HDMR-29-01-X-SM	SEE SHT 4	
HDMR-29-01-X-SM-PF	SEE SHT 4	

UNLESS OTHERWISE SPECIFIED, DIMENSIONS ARE IN MM.
 TOLERANCES ARE:
 DECIMALS ANGLES
 .X: ±0.25 [.010] 1°
 .XX: ±0.20 [.008]
 .XXX: ±0.10 [.004]

PROPRIETARY NOTE
 THIS DOCUMENT CONTAINS CONFIDENTIAL AND PROPRIETARY INFORMATION AND ALL DESIGN, MANUFACTURING, REPRODUCTION, USE, PATENT RIGHTS AND SALES RIGHTS ARE EXPRESSLY RESERVED BY SAMTEC, INC. THIS DOCUMENT SHALL NOT BE DISCLOSED, IN WHOLE OR PART, TO ANY UNAUTHORIZED PERSON OR ENTITY NOR REPRODUCED, TRANSFERRED OR INCORPORATED IN ANY OTHER PROJECT IN ANY MANNER WITHOUT THE EXPRESS WRITTEN CONSENT OF SAMTEC, INC.

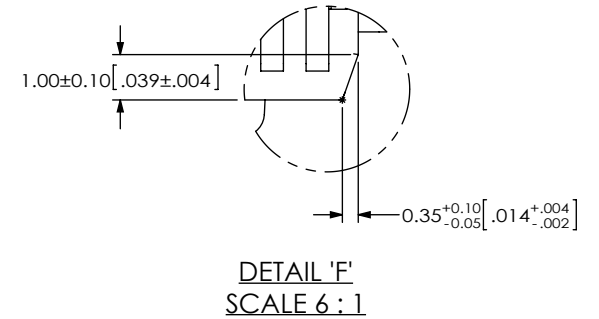
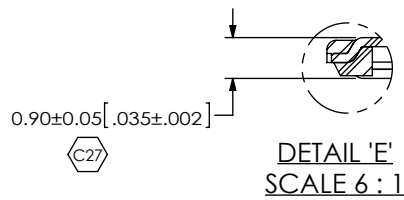
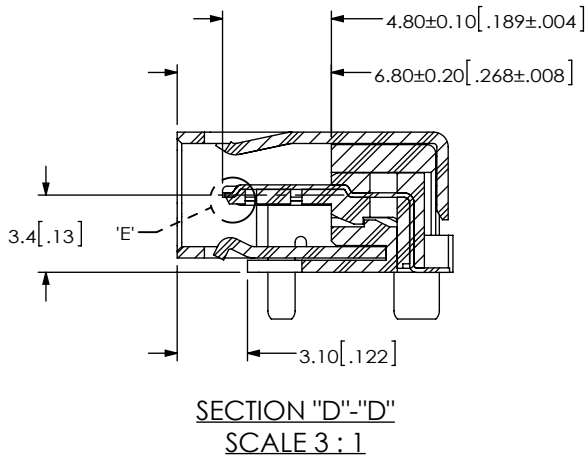
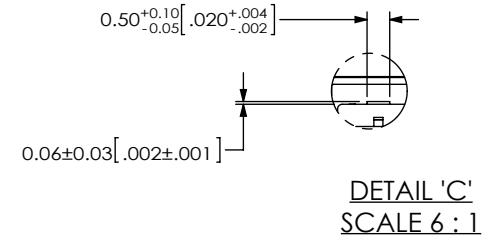
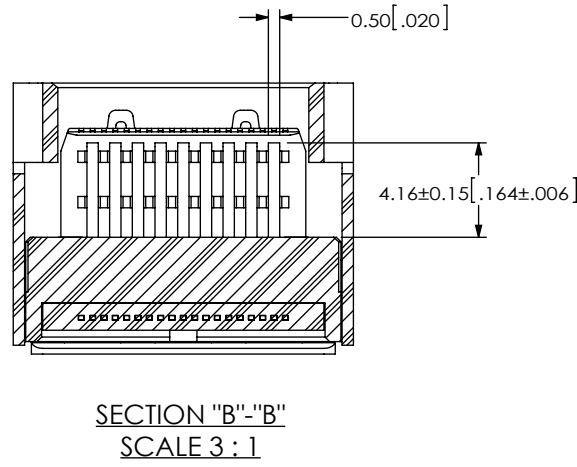
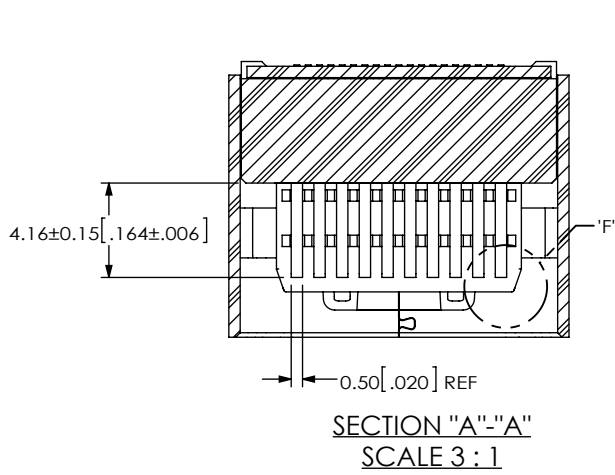


520 PARK EAST BLVD, NEW ALBANY, IN 47150
 PHONE: 812-944-6733 FAX: 812-948-5047
 e-Mail info@SAMTEC.com code 55322

MATERIAL:
 INSULATOR: HIGH TEMP THERMOPLASTIC (UL94V-0)
 CONTACT: COPPER ALLOY
 SHELL: NICKEL PLATED BRASS

DO NOT SCALE DRAWING SHEET SCALE: 1:0.333333

DESCRIPTION: HDMI RECEPTACLE
 DWG. NO. HDMR-XX-XX-X-XX-XX-XX
 BY: B. PERRY 9/14/07 SHEET 1 OF 4



<p>DO NOT SCALE DRAWING</p> <p>SHEET SCALE: 1:0.333333</p>	<p>PROPRIETARY NOTE</p> <p>THIS DOCUMENT CONTAINS CONFIDENTIAL AND PROPRIETARY INFORMATION AND ALL DESIGN, MANUFACTURING, REPRODUCTION, USE, PATENT RIGHTS AND SALES RIGHTS ARE EXPRESSLY RESERVED BY SAMTEC, INC. THIS DOCUMENT SHALL NOT BE DISCLOSED, IN WHOLE OR PART, TO ANY UNAUTHORIZED PERSON OR ENTITY NOR REPRODUCED, TRANSFERRED OR INCORPORATED IN ANY OTHER PROJECT IN ANY MANNER WITHOUT THE EXPRESS WRITTEN CONSENT OF SAMTEC, INC.</p>	
	<p>samtec</p> <p>520 PARK EAST BLVD, NEW ALBANY, IN 47150 PHONE: 812-944-6733 FAX: 812-948-5047 e-Mail: info@SAMTEC.com code 55322</p>	
	<p>DESCRIPTION:</p> <p>HDMI RECEPTACLE</p>	<p>DWG. NO.</p> <p>HDMR-XX-XX-X-XX-XX-XX</p>
	<p>BY: B. PERRY 9/14/07</p>	<p>SHEET 2 OF 4</p>

FIG 2
-02 SHIELD TAIL STYLE
(HDMR-19-02-X-SM SHOWN)
(DIFFERENT AS SHOWN, OTHERWISE SAME AS FIG 1))

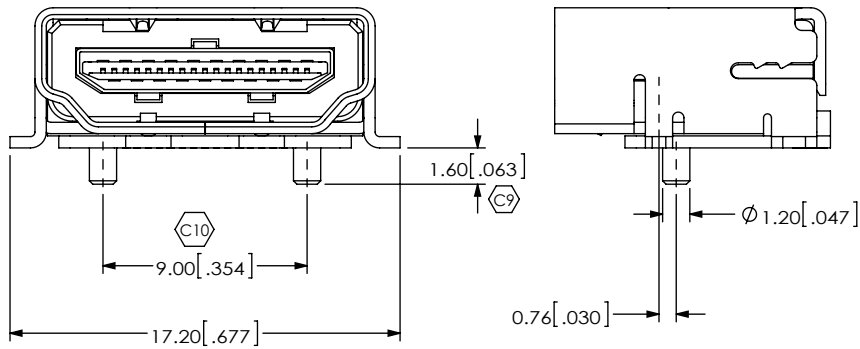


FIG 3
-TH LEAD TERMINATION STYLE
(ONLY AVAILABLE ON HDMR-19-01-X-TH-PF-L)
(DIFFERENT AS SHOWN, OTHERWISE SAME AS FIG 1))

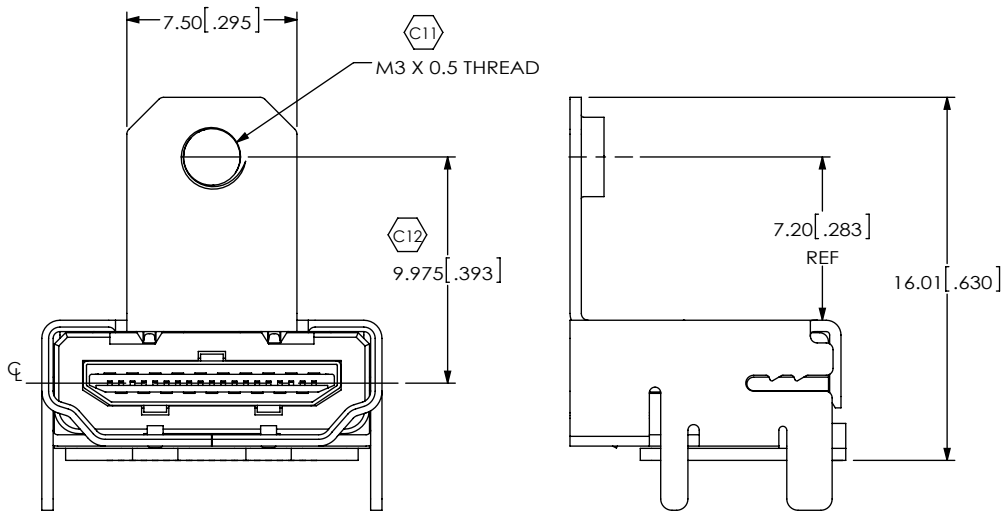
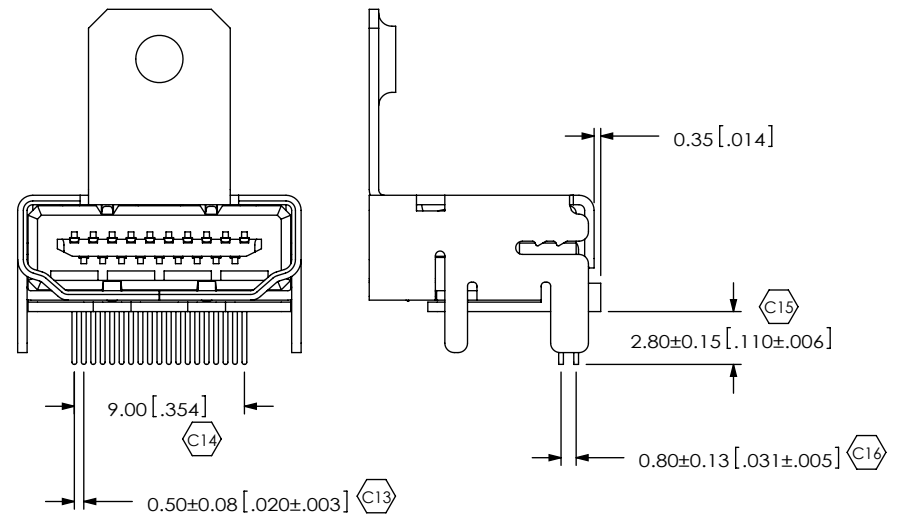
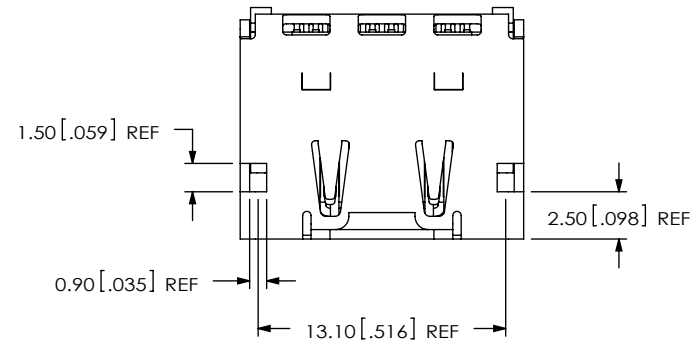


FIG 5
-L: LOCKING LEADS
(ONLY AVAILABLE ON HDMR-19-01-X-TH-PF-L)
(DIFFERENT AS SHOWN, OTHERWISE SAME AS FIG 1))



PROPRIETARY NOTE
THIS DOCUMENT CONTAINS CONFIDENTIAL AND PROPRIETARY INFORMATION AND ALL DESIGN, MANUFACTURING, REPRODUCTION, USE, PATENT RIGHTS AND SALES RIGHTS ARE EXPRESSLY RESERVED BY SAMTEC, INC. THIS DOCUMENT SHALL NOT BE DISCLOSED, IN WHOLE OR PART, TO ANY UNAUTHORIZED PERSON OR ENTITY NOR REPRODUCED, TRANSFERRED OR INCORPORATED IN ANY OTHER PROJECT IN ANY MANNER WITHOUT THE EXPRESS WRITTEN CONSENT OF SAMTEC, INC.

DO NOT SCALE DRAWING

SHEET SCALE: 3:1



520 PARK EAST BLVD, NEW ALBANY, IN 47150
PHONE: 812-944-6733 FAX: 812-948-5047
e-Mail info@SAMTEC.com code 55322

DESCRIPTION:	HDMI RECEPTACLE
DWG. NO.	HDMR-XX-XX-X-XX-XX-XX
BY: B. PERRY	9/14/07
SHEET 3 OF 4	

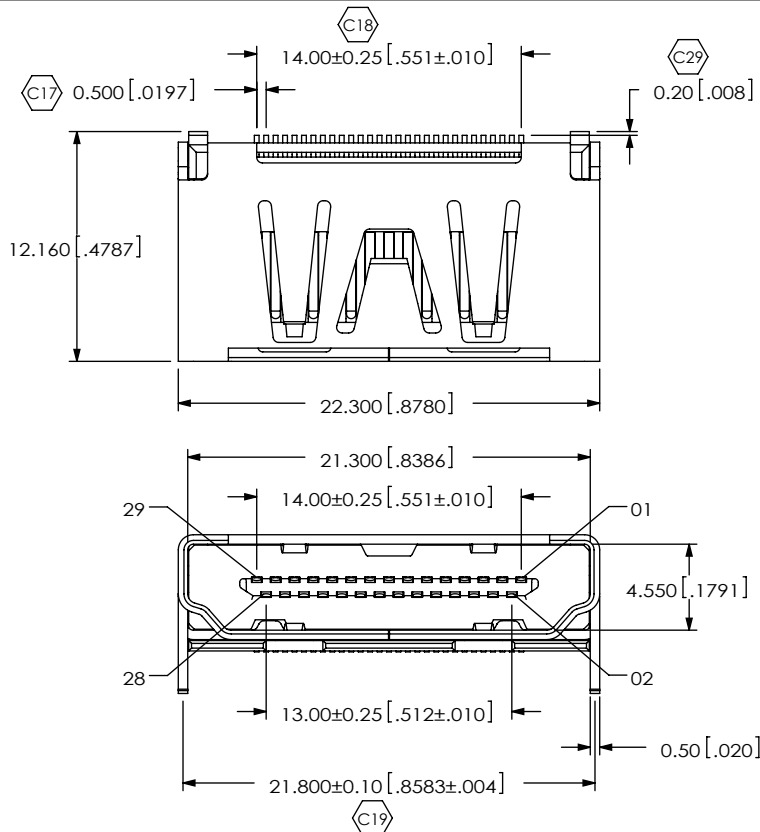


FIG 6
HDMR-29-01-X-SM SHOWN

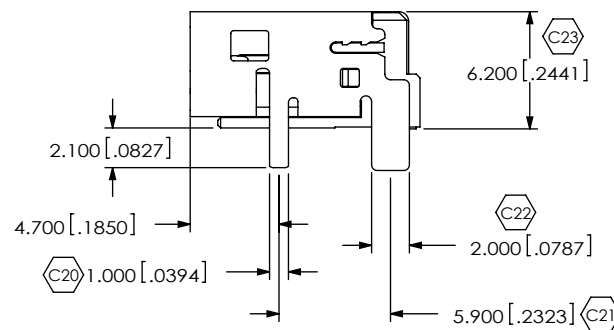
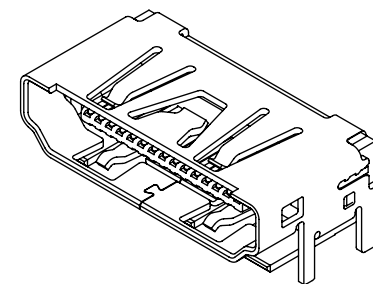


FIG 7
HDMR-29-01-X-SM-PF SHOWN
(DIFFERENT AS SHOWN, OTHERWISE SAME AS FIG 6)

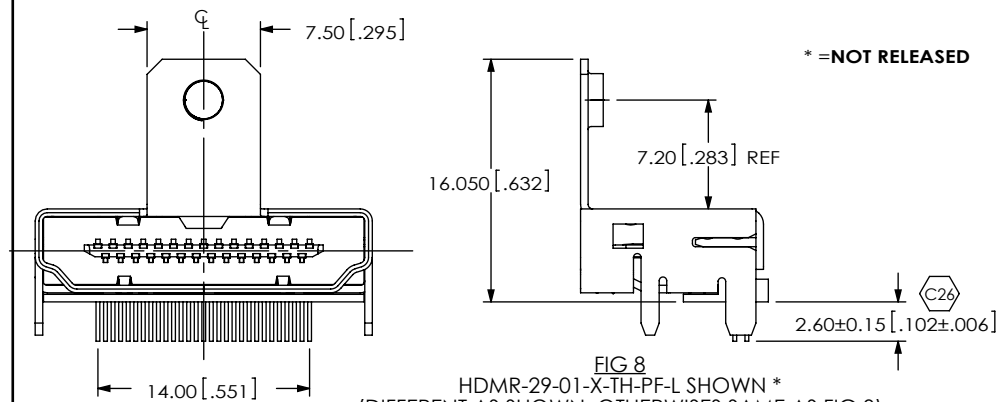
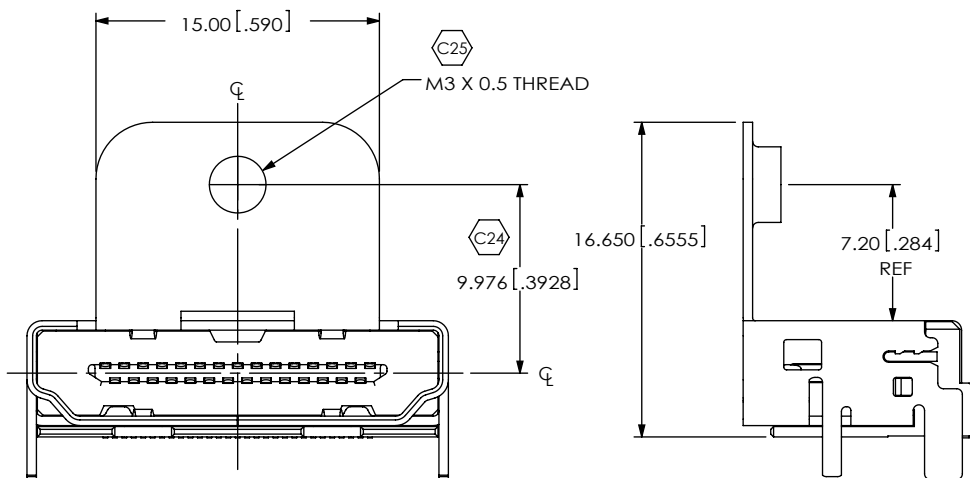


FIG 8
HDMR-29-01-X-TH-PF-L SHOWN *
(DIFFERENT AS SHOWN, OTHERWISE SAME AS FIG 3)

PROPRIETARY NOTE
THIS DOCUMENT CONTAINS CONFIDENTIAL AND PROPRIETARY INFORMATION AND ALL DESIGN, MANUFACTURING, REPRODUCTION, USE, PATENT RIGHTS AND SALES RIGHTS ARE EXPRESSLY RESERVED BY SAMTEC, INC. THIS DOCUMENT SHALL NOT BE DISCLOSED, IN WHOLE OR PART, TO ANY UNAUTHORIZED PERSON OR ENTITY NOR REPRODUCED, TRANSFERRED OR INCORPORATED IN ANY OTHER PROJECT IN ANY MANNER WITHOUT THE EXPRESS WRITTEN CONSENT OF SAMTEC, INC.

DO NOT SCALE DRAWING
SHEET SCALE: 3:1



520 PARK EAST BLVD, NEW ALBANY, IN 47150
PHONE: 812-944-6733 FAX: 812-948-5047
e-Mail: info@SAMTEC.com code 55322

DESCRIPTION: HDMI RECEPTACLE
DWG. NO. HDMR-XX-XX-X-XX-XX-XX
BY: B. PERRY 9/14/07 SHEET 4 OF 4