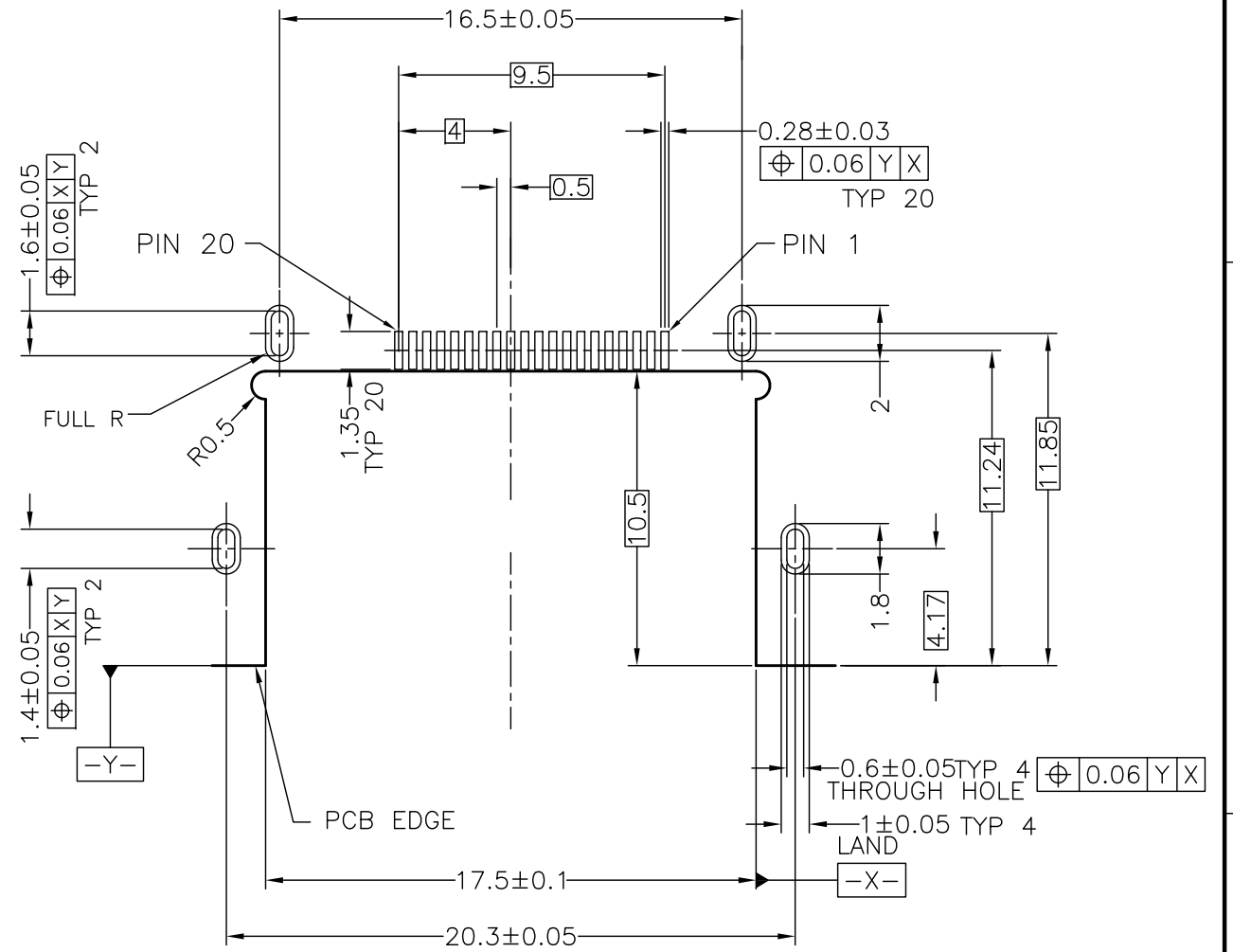
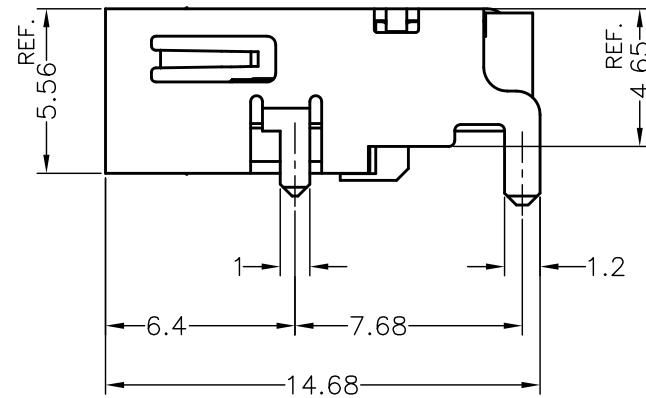
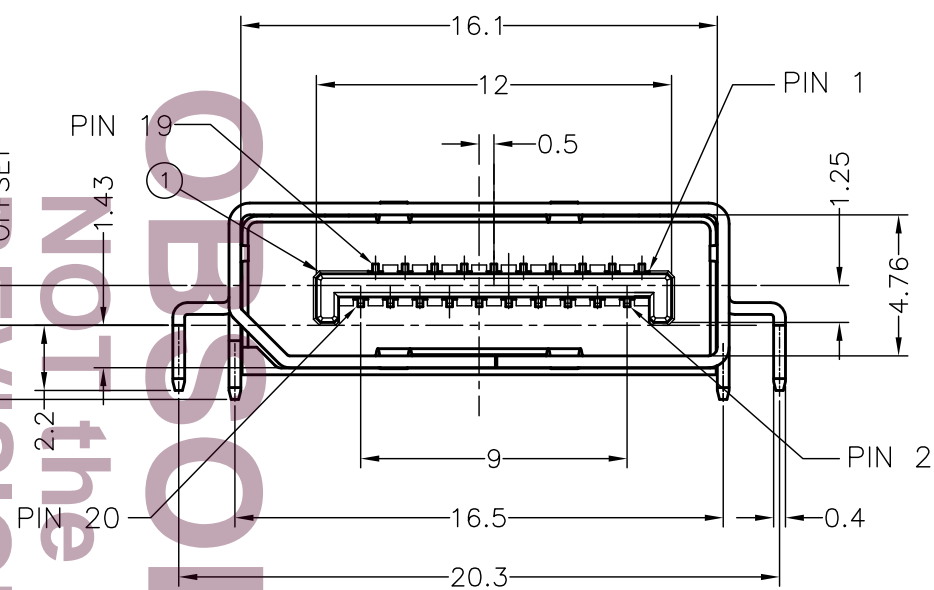
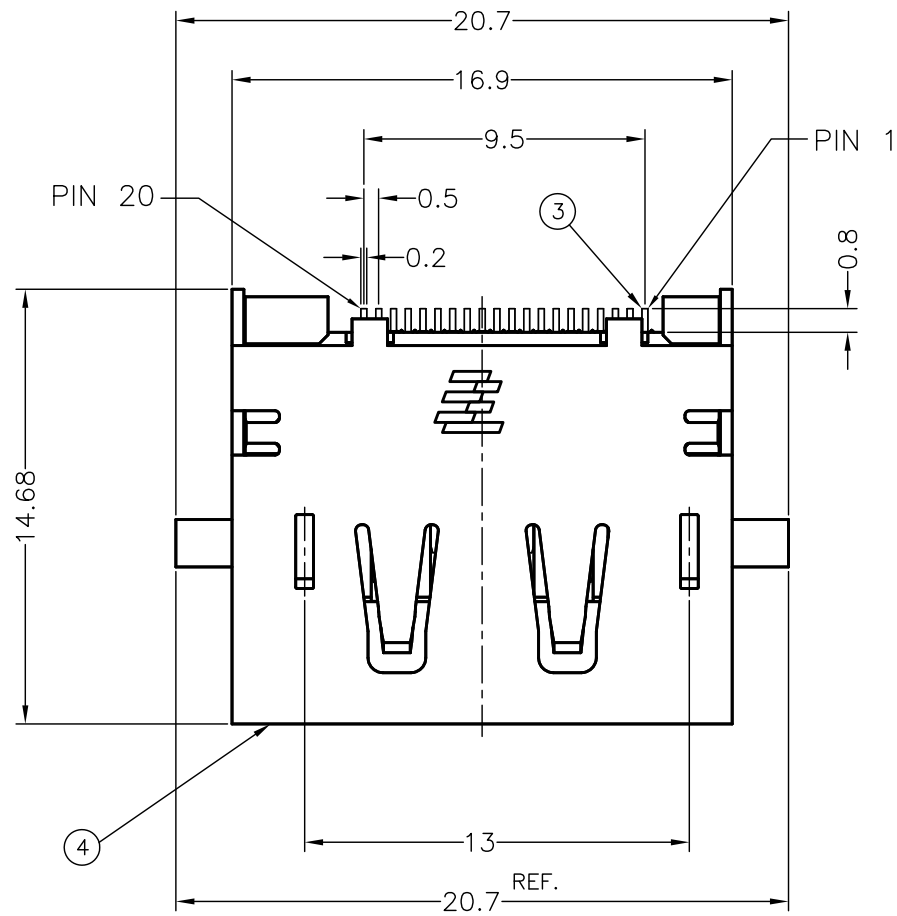


THIS DRAWING IS UNPUBLISHED. RELEASED FOR PUBLICATION
 © COPYRIGHT 2008 By - ALL RIGHTS RESERVED.

LOC	DIST	REVISIONS			
P	LTR	DESCRIPTION	DATE	DWN	APVD
C		REVISED (ECR-12-010740)	30MAR2012	B.W	M.C

-1; AS SHOWN



RECOMMENDED PCB LAYOUT

NO	DESCRIPTION	MATERIAL	FINISH	QTY.
④	SHELL	STAINLESS STEEL	Ni PLATING OVERALL	1
③	CONTACT	COPPER ALLOY	Au 10u" OVER Ni	20
②	MYLAR	POLYMIND FILM		1
①	HOUSING	HIGH TEMP. BLACK THERMOPLASTIC		1

THIS DRAWING IS A CONTROLLED DOCUMENT.	
DIMENSIONS: mm	TOLERANCES UNLESS OTHERWISE SPECIFIED: 0 PLC ± 0.3 1 PLC ± 0.3 2 PLC ± 0.3 3 PLC ± 0.3 4 PLC ± 0.3 ANGLES ± 3'
MATERIAL	FINISH SEE TABLE

DWN	U.CHUANG	16NOV2010
CHK	V.PENG	16NOV2010
APVD	H.KODAMA	16NOV2010
PRODUCT SPEC		
APPLICATION SPEC		
WEIGHT	2.0 g	

TE Connectivity			
NAME SMT TYPE, OFFSET CL 1.35 DISPLAYPORT RECEPTACLE CONNECTOR			
SIZE	CAGE CODE	DRAWING NO	RESTRICTED TO
A3	00779	C-2129250	
CUSTOMER DRAWING		SCALE	SHEET
		4:1	1 of 2
		REV	C

4

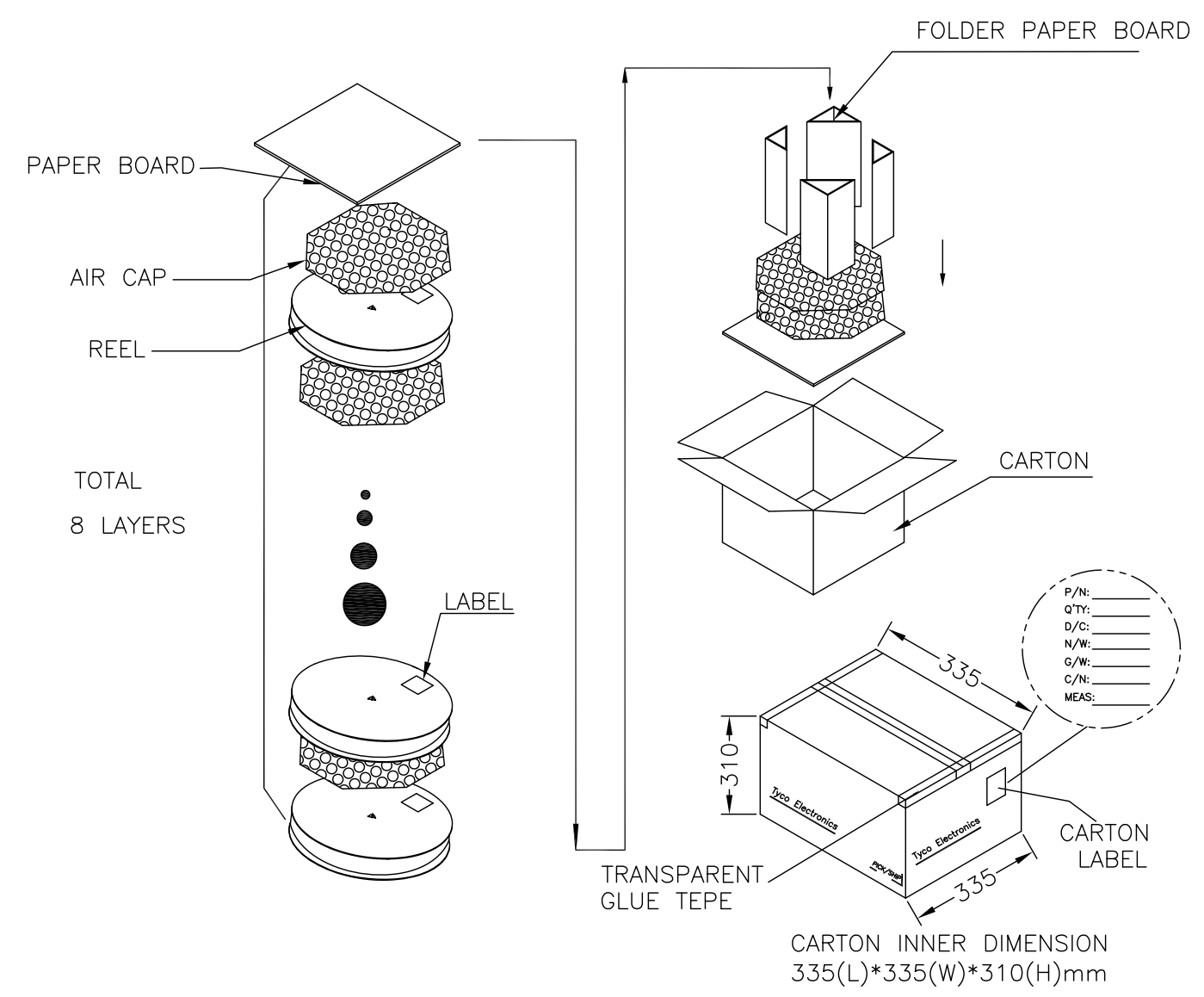
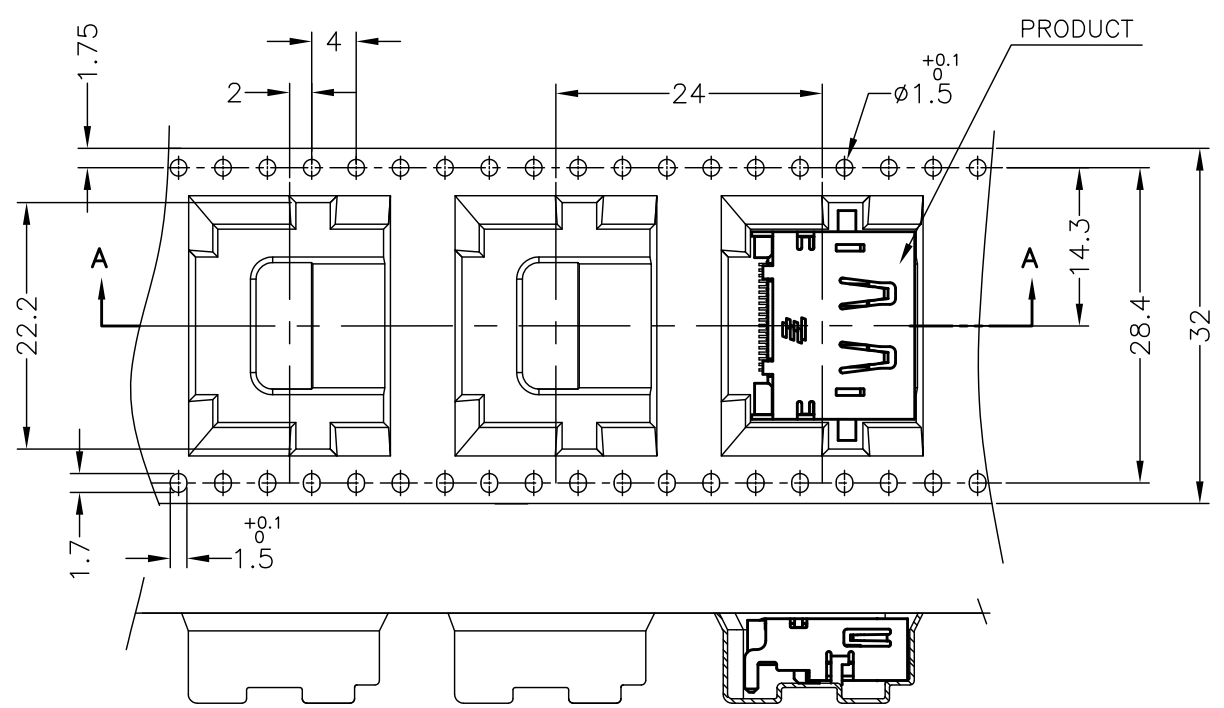
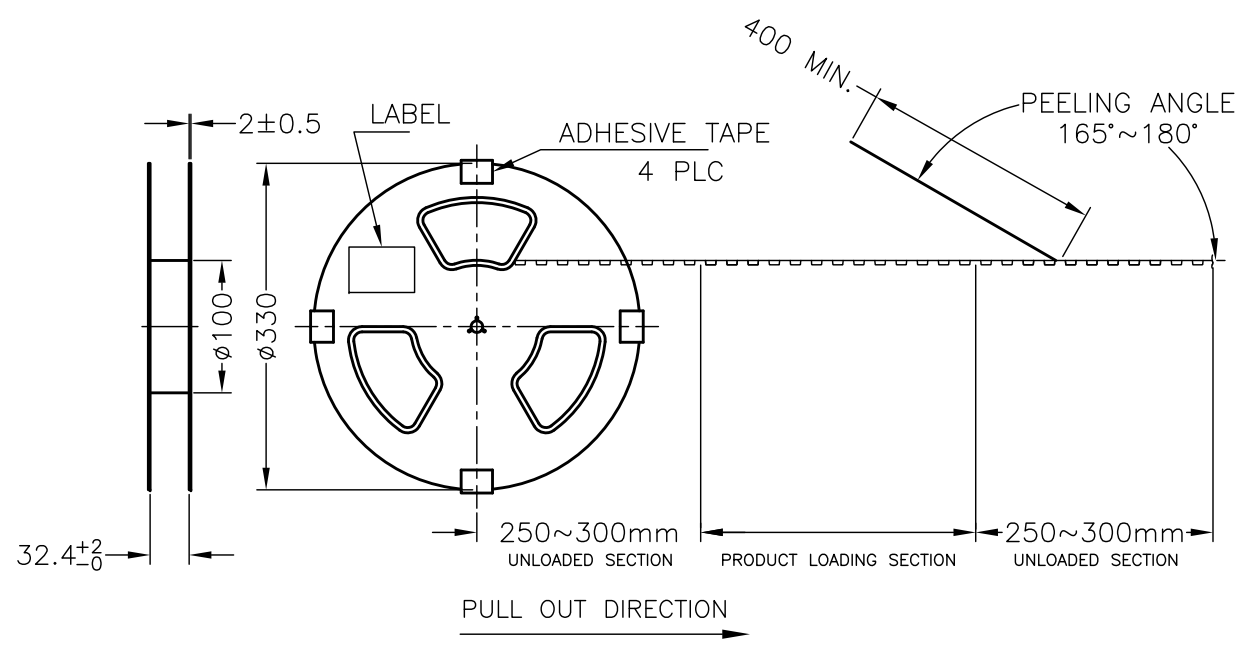
3

2

1

THIS DRAWING IS UNPUBLISHED. RELEASED FOR PUBLICATION JAN ,2008.
 © COPYRIGHT 2008 By - ALL RIGHTS RESERVED.

LOC	DIST	REVISIONS					
DW		P	LTR	DESCRIPTION	DATE	DWN	APVD
		-		SEE SHEET 1	-	-	-



- PACKING MATERIAL :
 - EMBOSSED CARRIER: PS
 - COVER TAPE: PE
 - SHIPPING CARTON: CORRUGATED FIBER
- QUANTITY :
 - PRIMARY PACKING: 300PCS/REEL
 - SECUNARY PACKING: 8 REELS/CARTON (2400 PCS/CRTON)
- WEIGHT :
 - NET WEIGHT: 1.88g/PCS, 0.564kg/REEL, 4.512kg/CARTON.
 - GROSS WEIGHT: 8.622kg/CARTON.
- PEELING RESISTANCE: 0.1~0.7N(10.2gf~71.4gf).
- PEELING SPEED: 300mm/minutes.
- CARRIER TAPES,COVER TAPES,REELS AND TAPED COMPONENTS MUST MEET THE REQUIREMENTS DEFINED PER EIA-481-B

THIS DRAWING IS A CONTROLLED DOCUMENT.		DWN	TE Connectivity		
		CHK			
		APVD	NAME		
		PRODUCT SPEC	SMT TYPE, OFFSET CL 1.35 DISPLAYPORT RECEPTACLE CONNECTOR		
		APPLICATION SPEC			
		WEIGHT	SIZE	CAGE CODE	DRAWING NO
		CUSTOMER DRAWING	A3	00779	2129250
		SCALE	SHEET		REV
		NTS	2 OF 2		C