

## DETAILS

<b>Product Number</b>	FCN13707_ANGELA-W
<b>Family</b>	ANGELA
<b>Type</b>	RefPack
<b>Color</b>	metal
<b>Diameter</b>	119,5 mm
<b>Height</b>	79,31 mm
<b>Style</b>	round
<b>Optic Material</b>	
<b>Holder Material</b>	
<b>Fastening</b>	
<b>Status</b>	production ready
<b>ROHS Compliant</b>	Yes
<b>Date Updated</b>	3/11/2016

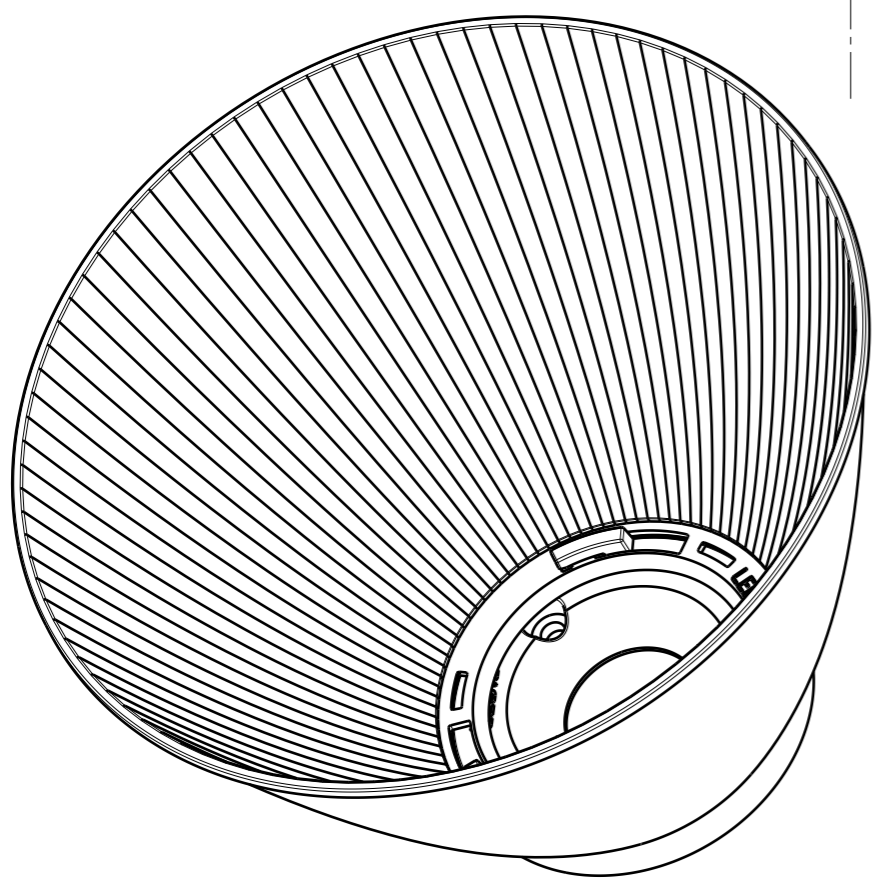
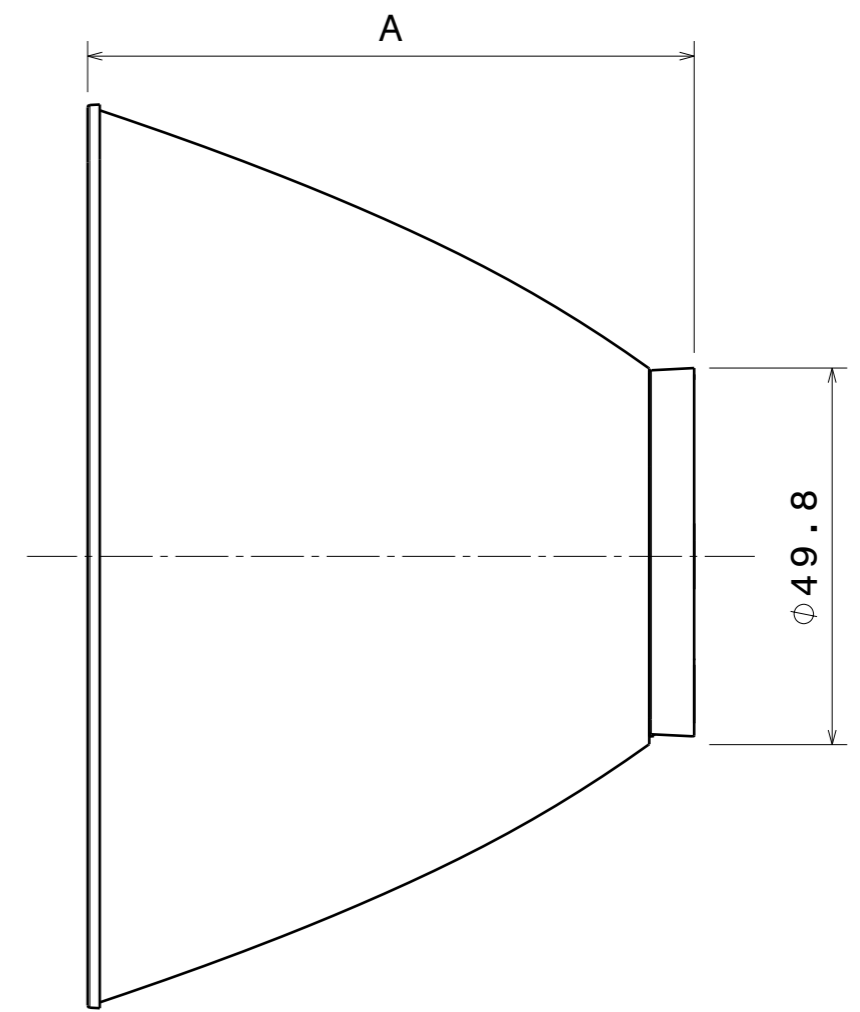
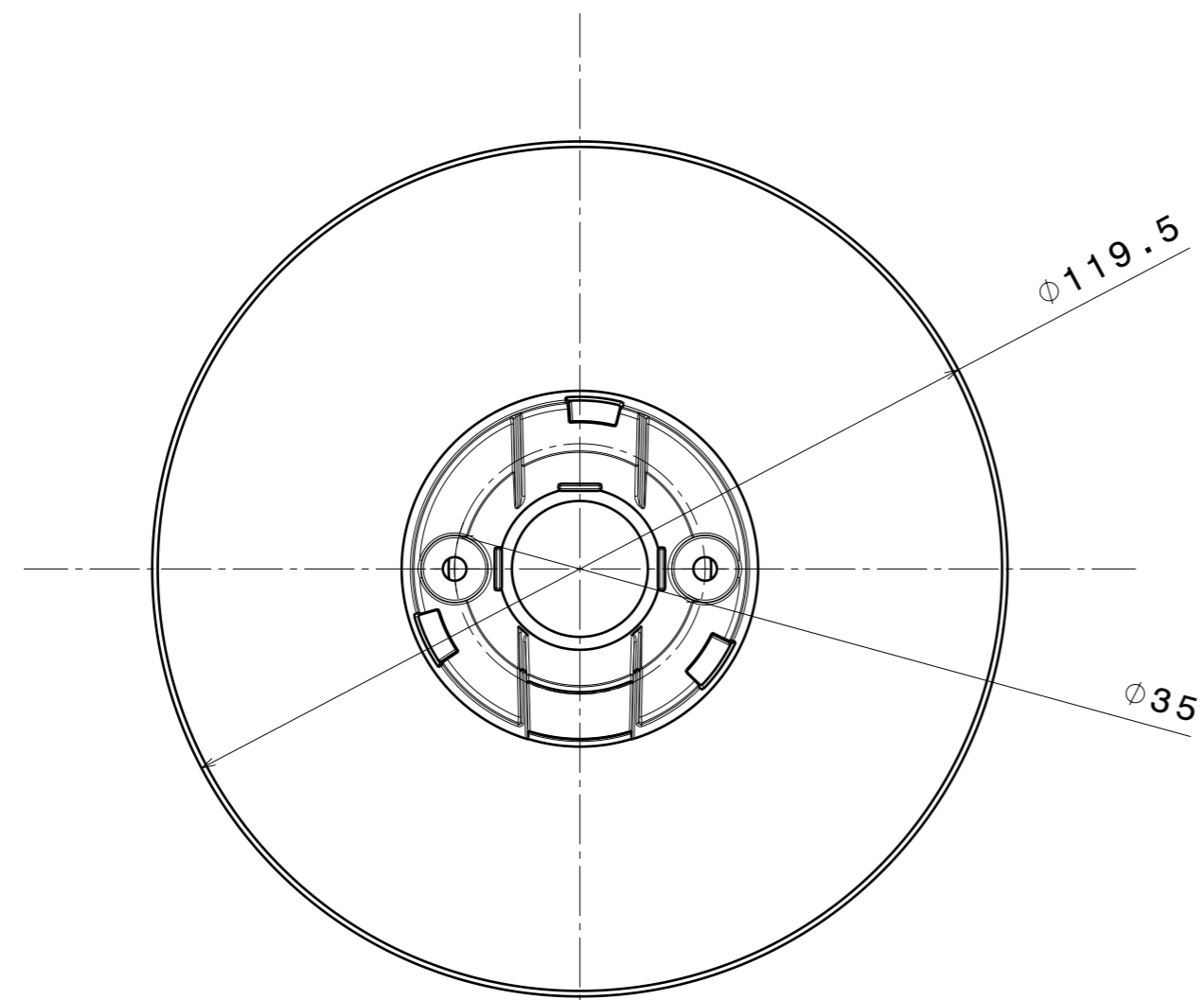


## OPTICAL PROPERTIES

LED	Viewing Angle	Light Beam	Efficiency	cd/lm	Connector
VERO18	38 deg	Wide	84 %	1.500	LEDiL: LEDiL
VERO13	33 deg	Wide	86 %	1.700	LEDiL: LEDiL
V15 Gen6	35 deg	Wide	84 %	1.700	Bender Wirth: 456 Typ L2
V10 Gen7	sim: 34	Wide	sim: 89 %	sim: 2.300	Bender Wirth: 434 Typ L1
CLU720/721	34 deg	Wide	82 %	1.600	Bender Wirth: 433 Typ L1
CLL03x/CLU03x	36 deg	Wide	82 %	1.500	Bender Wirth: 433 Typ L1
CLU700/701	30 deg	Wide	82 %	1.800	Bender Wirth: 434 Typ L1
CLL02x/CLU02x (LES10)	33 deg	Wide	83 %	1.700	Bender Wirth: 434 Typ L1
CXA/B 1816 & CXA/B 1820 & CXA 1850	34 deg	Wide	82 %	1.600	Bender Wirth: 437 Typ L1
CXA/B 15xx	31 deg	Wide	83 %	1.800	Bender Wirth: 441 Typ L1
LUXEON CoB 1202/1203	31 deg	Wide	83 %	1.700	Bender Wirth: 438 Typ L1
CXM-14	sim: 36	Wide	sim: 82 %	sim: 1.500	Bender Wirth: 433 Typ L1
CXM-9	sim: 33	Wide	sim: 83 %	sim: 1.700	Bender Wirth: 434 Typ L1
COB L-Type (LES 9)	31 deg	Wide	84 %	1.800	Bender Wirth: 438 Typ L1
COB J-Type	36 deg	Wide	82 %	1.500	Bender Wirth: 463 Typ L2
COB L-Type (LES 11)	34 deg	Wide	82 %	1.600	Bender Wirth: 438 Typ L1
Soleriq P9	32 deg	Wide	86 %	1.700	Bender Wirth: 461 Typ L1
Soleriq P13	34 deg	Wide	86 %	1.600	Bender Wirth: 437 Typ L1
Soleriq S13	35 deg	Wide	82 %	1.600	Bender Wirth: 437 Typ L1
LC026B/LC040B	39 deg	Wide	82 %	1.400	Bender Wirth: 450 Typ L2
ZC12/18	sim: 36	Wide	sim: 82 %	sim: 1.500	Bender Wirth: 433 Typ L1
ZC4/6	sim: 33	Wide	sim: 83 %	sim: 1.700	Bender Wirth: 434 Typ L1
SLE G5 LES11	32 deg	Wide	83 %	1.700	Bender Wirth: 434 Typ L1

H G F E D C B A

4  
3  
2  
1



	DIMENSION A
WITH LEDIL LUXEON S SOCKETS	80.5 mm
WITH TYCO SOCKET	80.5 mm
WITH LEDIL BRIDGELUX VERO SOCKETS	79.5 mm

Tolerances if not otherwise shown  
According to DIN ISO 2768-1  
Linear measures:  
Up to 30mm class M, otherwise class C.  
According to DIN ISO 2768-2  
Form and position: class L

**LEDiL** Ledil Oy  
Salorankatu 10  
FIN 24240 SALO  
Finland

THIRD ANGLE PROJECTION:

DRAWING TITLE  
**DATA SHEET ANGELA**

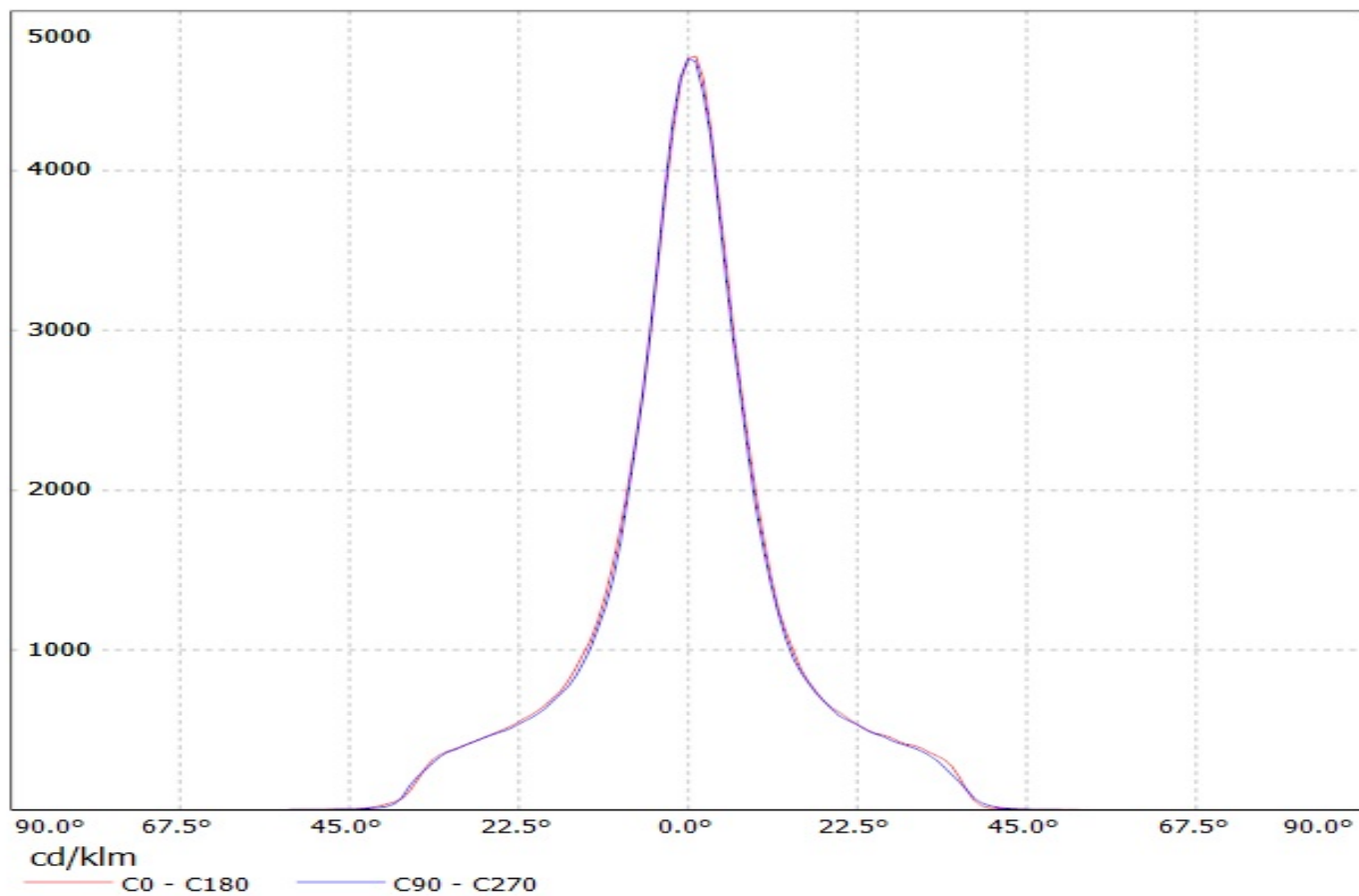
This drawing is the property of LEDiL Oy. It may not be reproduced, copied or communicated without a written agreement with LEDiL Oy."

SIZE	PART NUMBER		
A3	-		

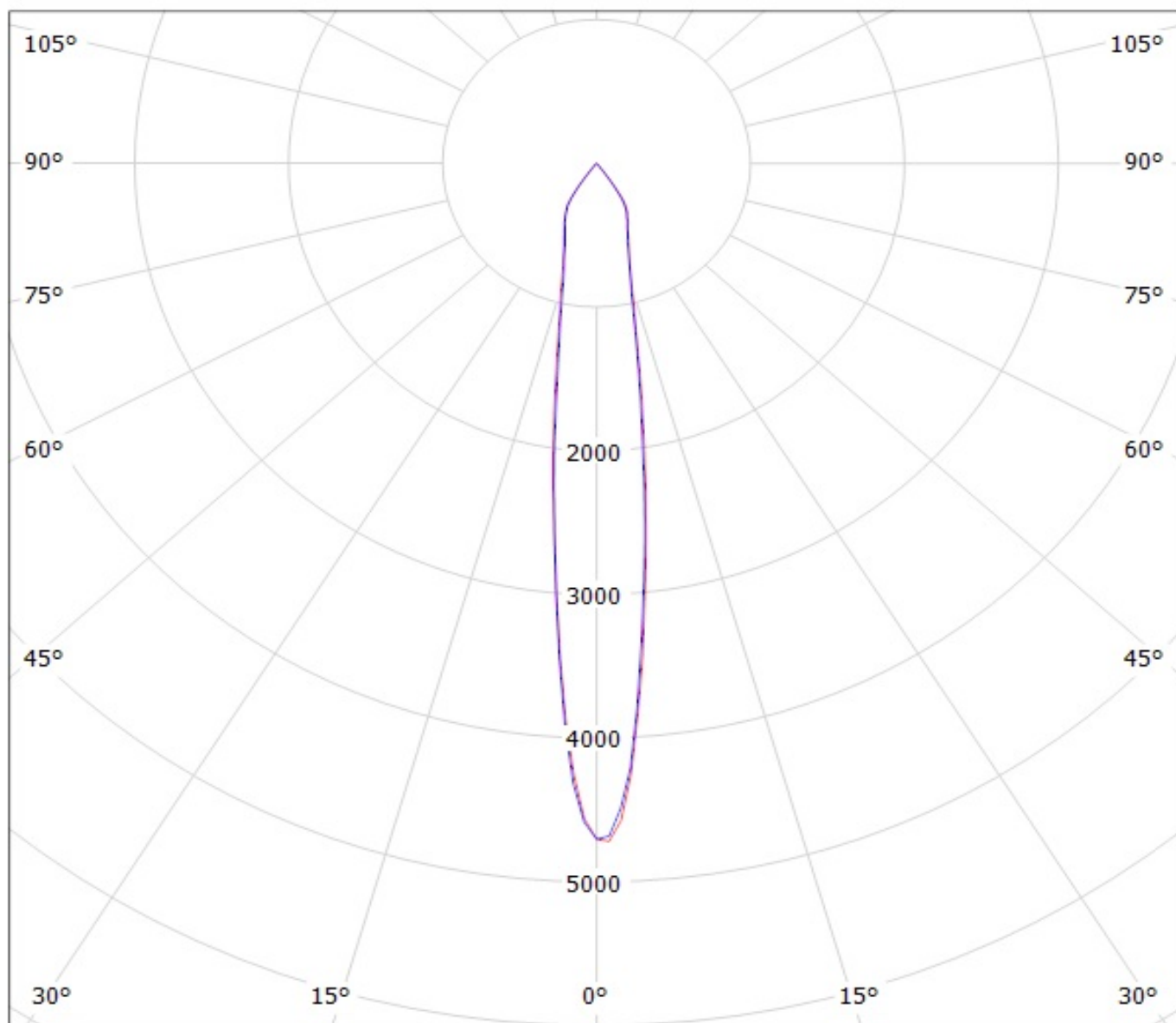
SCALE	1:1	WEIGHT	-	SHEET	1/1
-------	-----	--------	---	-------	-----

H G B A

Luminaire: LEDil Oy FCN13568\_ANGELA-M\_(Luxeon\_S2000) Efficiency=85%  
Lamps: 1 x Philips Lumileds Luxeon S2000 (LXS8-PW30-0017) 442lm @ 100mA P=4.6W I=100mA



Luminaire: LEDil Oy FCN13568\_ANGELA-M\_(Luxeon\_S2000) Efficiency=85%  
Lamps: 1 x Philips Lumileds Luxeon S2000 (LXS8-PW30-0017) 442lm @ 100mA P=4.6W I=100mA



cd/klm

— C0 - C180

— C90 - C270

**NOTE: The typical divergence will be changed by different color, chip size and chip position tolerance. The typical total divergence is the full angle measured where the luminous intensity is half of the peak value.**