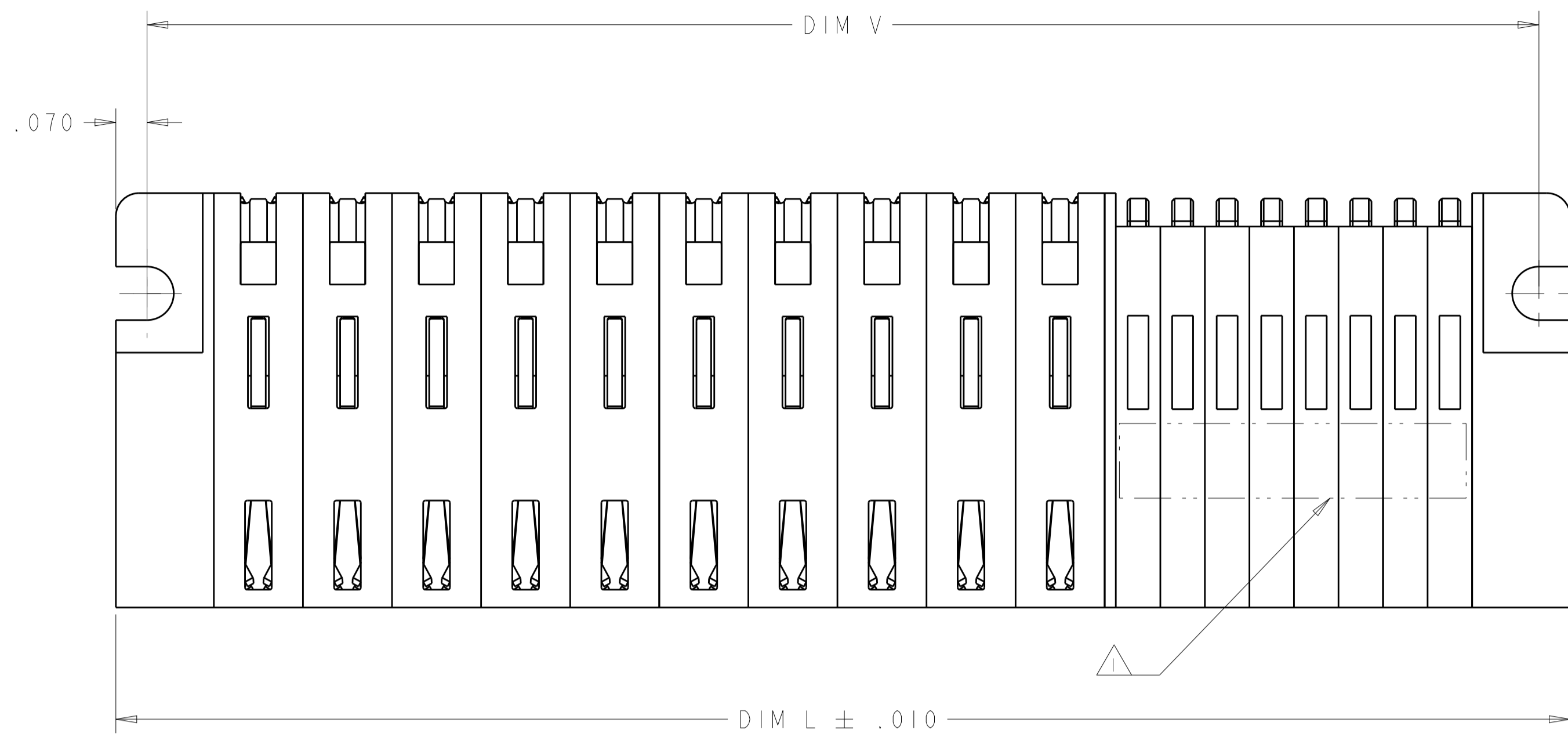
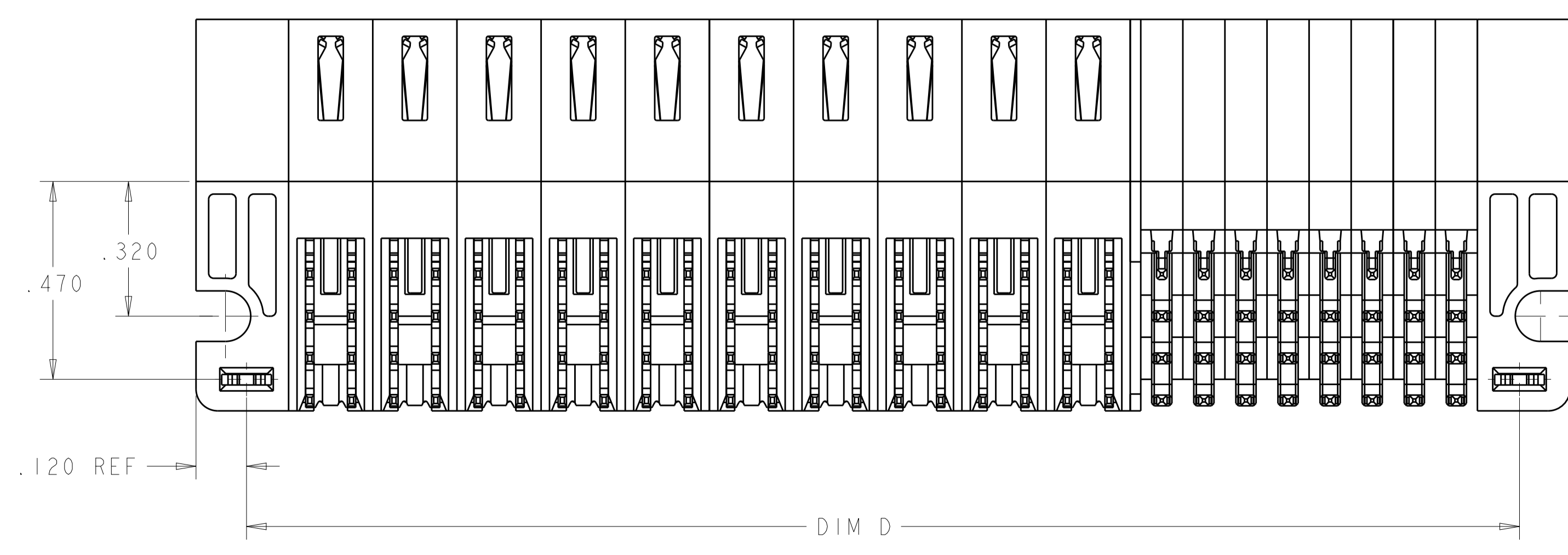
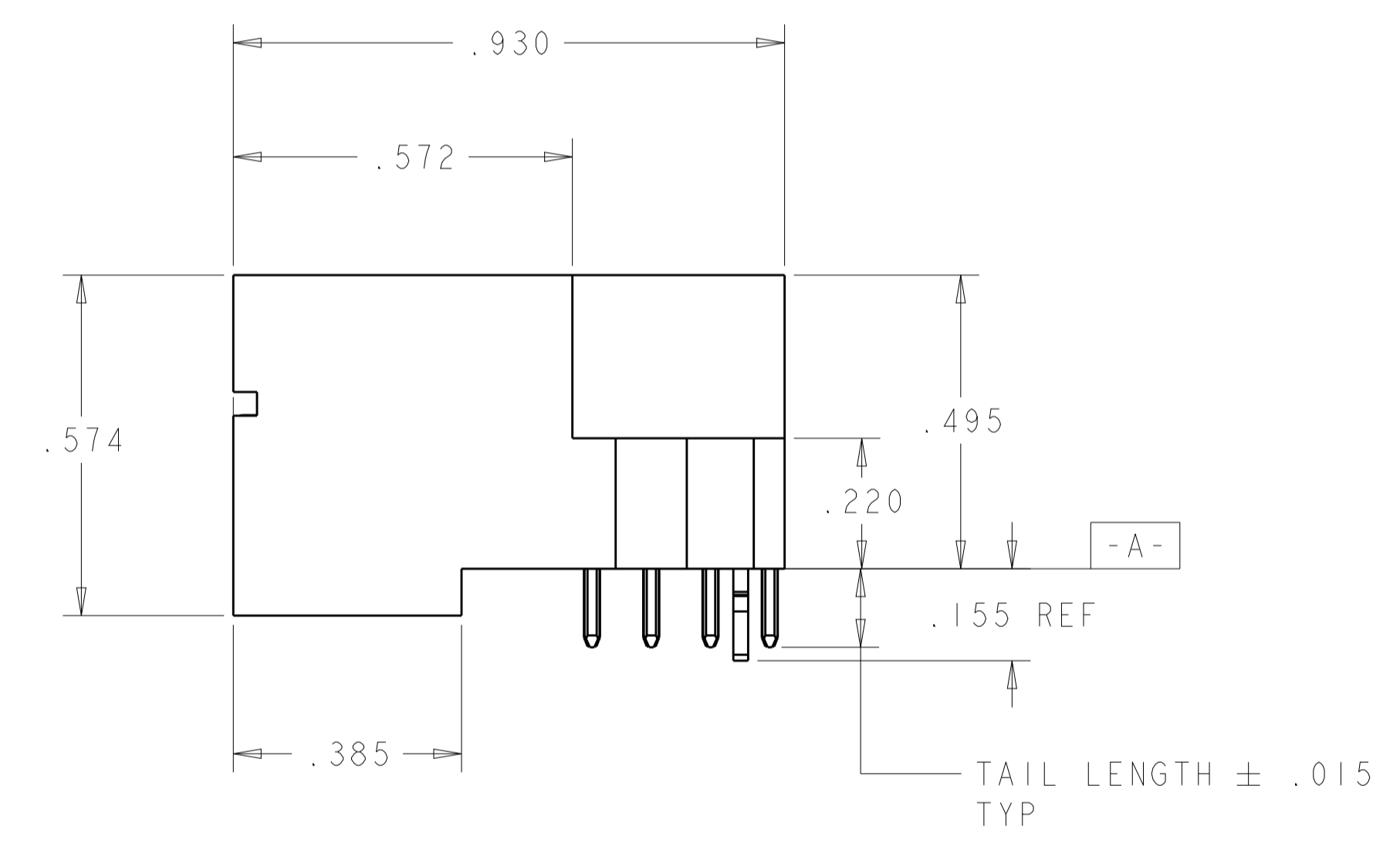
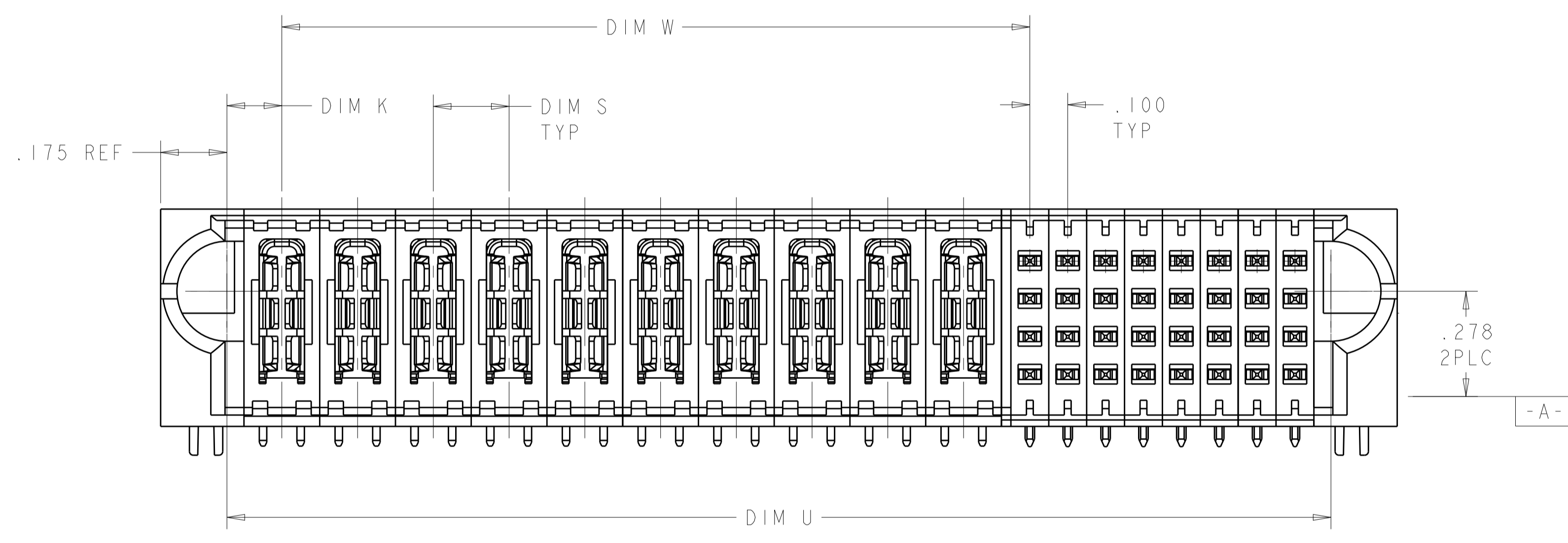


| LOC | DIST | REVISIONS | | | | | |
|-----|------|-----------|-----|-------------------------------------|-----------|-----|------|
| | | P | LTN | DESCRIPTION | DATE | DWN | APVD |
| ES | 00 | | | | | | |
| | | K4 | | REVISED 4-7 BY CUSTOMER | 18MAY2015 | CZ | SZ |
| | | K5 | | REVISED 4-7 SIGNAL PINS BY CUSTOMER | 09JUN2015 | CZ | SZ |
| | | K6 | | REV PER ECO-17-001490 | 12DEC2016 | CZ | SZ |



- 1 "AMP", PART NUMBER AND DATE CODE TO BE MARKED IN AREA SHOWN PARTS UNDER 2.00" LONG MAY BE MARKED ON BOTH SIDES
- 2 MATERIAL:
HOUSING - GLASS FILLED HIGH TEMP THERMO PLASTIC, UL94 V-0
SIGNAL CONTACT - COPPER ALLOY
POWER CONTACT - HIGH CONDUCTIVITY COPPER ALLOY
- 3 CONTACT PLATING: NOBLE METAL PLATING ON CONTACT FUNCTIONAL AREA OF SIGNAL CONTACTS AND POWER CONTACTS.
- 4 MECHANICAL CONNECTOR KEEP OUT ZONE
- 5 DATUM AND BASIC DIMENSIONS ESTABLISHED BY CUSTOMER
- 6 PCB - ALL HOLE DIAMETERS ARE FINISHED HOLE SIZES
- 7 PCB - 0.0453 ± .0010 DRILLED HOLES PLATED WITH .0003 MIN Sn OVER .001 TO .003 Cu PLATING TO ACHIEVE A .040 ± .030 HOLE
- 8 FOR CONFIGURATION "L/P", "P/LP/S", PLEASE REFER TO SHEET 3.
- 9 VARIABLE DIMENSIONS PLEASE SEE PART TABLE.



| | | | | |
|--|--|--|------------------------|--|
| THIS DRAWING IS A CONTROLLED DOCUMENT. | | DWN H. LIU CHK S. ZHAO APVD S. ZHAO | 27MAY2008 27MAY2008 | STE TE Connectivity |
| DIMENSIONS: INCHES | | TOLERANCES UNLESS OTHERWISE SPECIFIED: 0 PLC ± .01 1 PLC ± .01 2 PLC ± .01 3 PLC ± .005 4 PLC ± .0020 ANGLES ± 30° | | |
| MATERIAL | | FINISH | | NAME R/A HEADER WITH SHORT GUIDES AND LP CONTACTS ASSEMBLY MULTI-BEAM XLE |
| CUSTOMER DRAWING | | SCALE 2:1 | | RESTRICTED TO SHEET 1 OF 24 REV K6 |

| LOC | | DIST | | REVISIONS | | | |
|-----|-----|-------------|--|-----------|-----|------|--|
| P. | LTN | DESCRIPTION | | DATE | OWN | APVD | |
| - | - | SEE SHEET 1 | | - | - | - | |
| | | | | | | | |
| | | | | | | | |

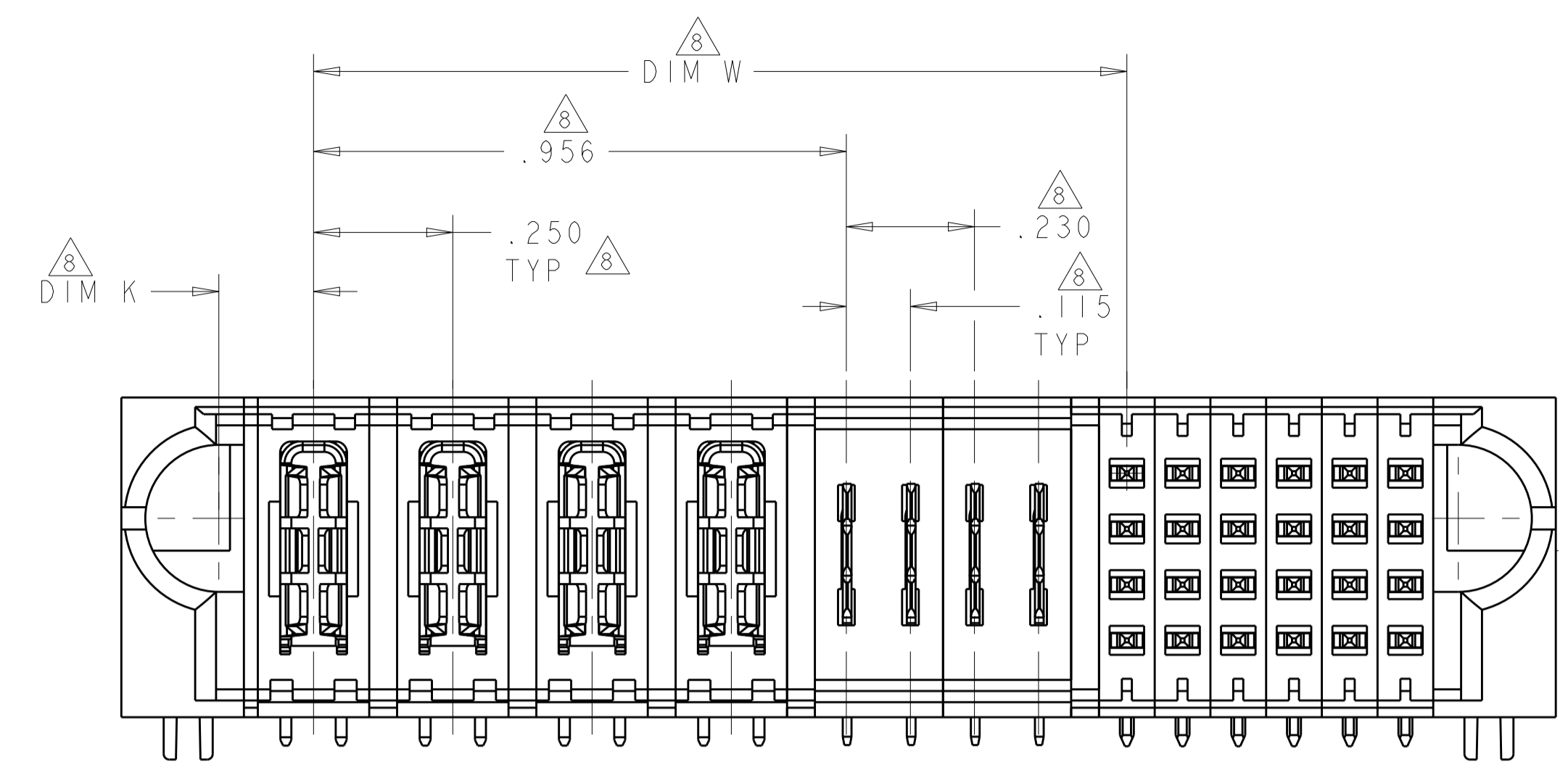
| | | | | | | | | |
|--------------------|-------|-------|-------|-------|---------------------|---------------------|----------------------|-------------|
| $\triangle 9$ | 4.640 | 4.500 | 4.290 | 4.400 | 2.550 | .145 | 5P + 2HDP + 4P + 64S | 5-6450832-9 |
| $\triangle 9$ | 5.290 | 5.150 | 4.940 | 5.050 | 4.050 | .195 | 15P + 28S | 4-6450832-7 |
| .200 | 2.965 | 2.825 | 2.615 | 2.725 | 1.975 | .145 | 10HDP + 20S | 4-6450832-6 |
| $\triangle 9$ | 2.090 | 1.950 | 1.740 | 1.850 | 1.000 | .145 | 5HDP + 24S | 4-6450832-5 |
| .200 | 1.990 | 1.850 | 1.640 | 1.750 | .975 | .170 | 5HDP + 20S | 4-6450832-4 |
| $\triangle 9$ | 3.790 | 3.650 | 3.440 | 3.550 | 2.625 | .170 | 12P + 24S | 4-6450832-3 |
| .250 | 3.240 | 3.100 | 2.890 | 3.000 | 1.925 | .170 | 8P + 32S | 4-6450832-2 |
| .250 | 3.240 | 3.100 | 2.890 | 3.000 | 1.925 | .170 | 8P + 32S | 4-6450832-1 |
| .350 | 1.565 | 1.325 | 1.215 | 1.425 | .975 | .145 | 3P + 4S | 4-6450832-0 |
| .250 | 3.040 | 2.900 | 2.690 | 2.800 | 1.925 | .170 | 8HDP + 24S | 3-6450832-9 |
| $\triangle 9$ | 2.965 | 2.825 | 2.615 | 2.725 | 1.825 | .195 | 3ACP + 4P + 24S | 3-6450832-8 |
| $\triangle 9$ | 5.290 | 5.150 | 4.940 | 5.050 | 4.050 | .195 | 15P + 28S | 3-6450832-6 |
| .200 | 1.990 | 1.850 | 1.640 | 1.750 | .975 | .170 | 5HDP + 20S | 3-6450832-5 |
| .250 | 3.090 | 2.950 | 2.740 | 2.850 | 1.950 | .170 | 8P + 24S | 3-6450832-4 |
| $\triangle 9$ | 4.640 | 4.500 | 4.290 | 4.400 | 2.550 | .145 | 5P + 2HDP + 4P + 64S | 3-6450832-3 |
| .200 | 3.265 | 3.125 | 2.915 | 3.025 | 2.175 | .145 | 11HDP + 24S | 3-6450832-2 |
| .115 $\triangle 8$ | .945 | .805 | .595 | .705 | .2725 $\triangle 8$ | .1025 $\triangle 8$ | 2LP + 8S | 3-6450832-1 |
| .375 | 2.240 | 2.100 | 1.890 | 2.000 | 1.500 | .170 | 4ACP + 8S | 3-6450832-0 |
| .200 | 3.265 | 3.125 | 2.915 | 3.025 | 2.175 | .145 | 11HDP + 24S | 2-6450832-8 |
| .200 | 3.065 | 2.925 | 2.715 | 2.825 | 1.975 | .145 | 10HDP + 24S | 2-6450832-7 |
| .200 | 2.240 | 2.100 | 1.890 | 2.000 | 1.150 | .145 | 6HDP + 24S | 2-6450832-6 |
| $\triangle 8$ | 2.420 | 2.280 | 2.070 | 2.180 | 1.330 | .145 | 5P + 2LP + 24S | 2-6450832-5 |
| $\triangle 8$ | 3.065 | 2.925 | 2.715 | 2.825 | 1.525 | .195 | 4P + 40S | 2-6450832-4 |
| $\triangle 8$ | 4.015 | 3.875 | 3.665 | 3.775 | 3.075 | .195 | 3ACP + 9P + 16S | 2-6450832-3 |
| .250 | 2.415 | 2.275 | 2.065 | 2.175 | 1.425 | .145 | 6P + 20S | 2-6450832-2 |
| $\triangle 8$ | 2.420 | 2.280 | 2.070 | 2.180 | 1.330 | .145 | 5P + 2LP + 24S | 2-6450832-0 |
| .250 | 3.790 | 3.650 | 3.440 | 3.550 | 2.675 | .170 | 11P + 24S | 1-6450832-9 |
| $\triangle 8$ | 3.740 | 3.600 | 3.390 | 3.500 | 2.625 | .170 | 3ACP + 8P + 24S | 1-6450832-7 |
| $\triangle 8$ | 3.790 | 3.650 | 3.440 | 3.550 | 2.700 | .145 | 13P + 24S | 1-6450832-6 |
| .250 | 1.490 | 1.350 | 1.140 | 1.250 | .675 | .170 | 3P + 12S | 1-6450832-4 |
| .250 | 1.565 | 1.425 | 1.215 | 1.325 | .425 | .170 | 2P + 24S | 1-6450832-2 |
| .250 | 3.790 | 3.650 | 3.440 | 3.550 | 2.900 | .145 | 12P + 16S | 1-6450832-0 |
| $\triangle 8$ | 1.590 | 1.450 | 1.240 | 1.350 | .650 | .170 | 2P + 8S | 6450832-9 |
| .115 $\triangle 8$ | .970 | .830 | .620 | .730 | .2725 $\triangle 8$ | .1275 $\triangle 8$ | 2LP + 8S | 6450832-8 |
| $\triangle 8$ | 3.740 | 3.600 | 3.390 | 3.500 | 2.625 | .170 | 3ACP + 8P + 24S | 6450832-7 |
| .200 | 3.065 | 2.925 | 2.715 | 2.825 | 1.975 | .145 | 10HDP + 24S | 6450832-5 |
| .200 | 3.065 | 2.925 | 2.715 | 2.825 | 1.975 | .145 | 10HDP + 24S | 6450832-4 |
| .250 | 2.565 | 2.425 | 2.215 | 2.325 | 1.425 | .170 | 6P + 24S | 6450832-3 |
| $\triangle 8$ | 2.575 | 2.435 | 2.225 | 2.335 | 1.460 $\triangle 8$ | .170 $\triangle 8$ | 4P + 4LP + 24S | 6450832-2 |
| .200 | 3.265 | 3.125 | 2.915 | 3.025 | 1.975 | .145 | 10HDP + 32S | 6450832-1 |
| DIM S | DIM L | DIM V | DIM U | DIM D | DIM W | DIM K | DESCRIPTION | PART NUMBER |

VIEW IN SHEET 6

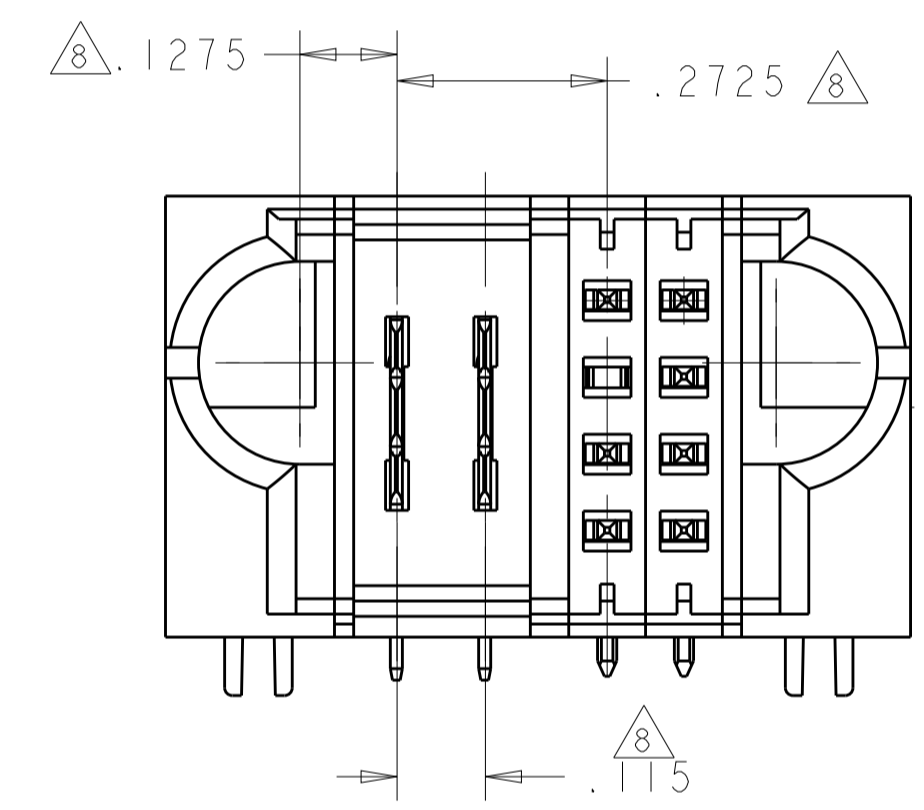
THIS DRAWING IS A CONTROLLED DOCUMENT.

| | | | |
|--|-----------|--|-----------------|
| OWN: H. LIU | 27MAY2008 | | TE Connectivity |
| CHK: S. ZHAO | 27MAY2008 | | |
| DIMENSIONS: INCHES | | NAME: R/A HEADER WITH SHORT GUIDES AND LP CONTACTS ASSEMBLY MULTI-BEAM XLE | |
| TOLERANCES UNLESS OTHERWISE SPECIFIED: | | PRODUCT SPEC: 108-2292 | |
| 0 PLC ±.01 | | APPLICATION SPEC: 114-13251 | |
| 1 PLC ±.01 | | SIZE: A1 | |
| 2 PLC ±.01 | | CAGE CODE: 6450832 | |
| 3 PLC ±.005 | | DRAWING NO: 100779 | |
| 4 PLC ±.002 | | SHEET 2 OF 24 | |
| ANGLES ±.002 | | REV: K6 | |
| FINISH: #P | | SCALE: 4:1 | |
| MATERIAL: | | CUSTOMER DRAWING | |

| LOC | | DIST | | REVISIONS | | | |
|-----|-----|-------------|------|-----------|------|--|--|
| P | LTN | DESCRIPTION | DATE | DMN | APVD | | |
| - | | SEE SHEET 1 | - | - | - | | |
| | | | | | | | |
| | | | | | | | |



FOR P/N:6450832-2, OTHER DIMENSIONS PLEASE SEE TABLE



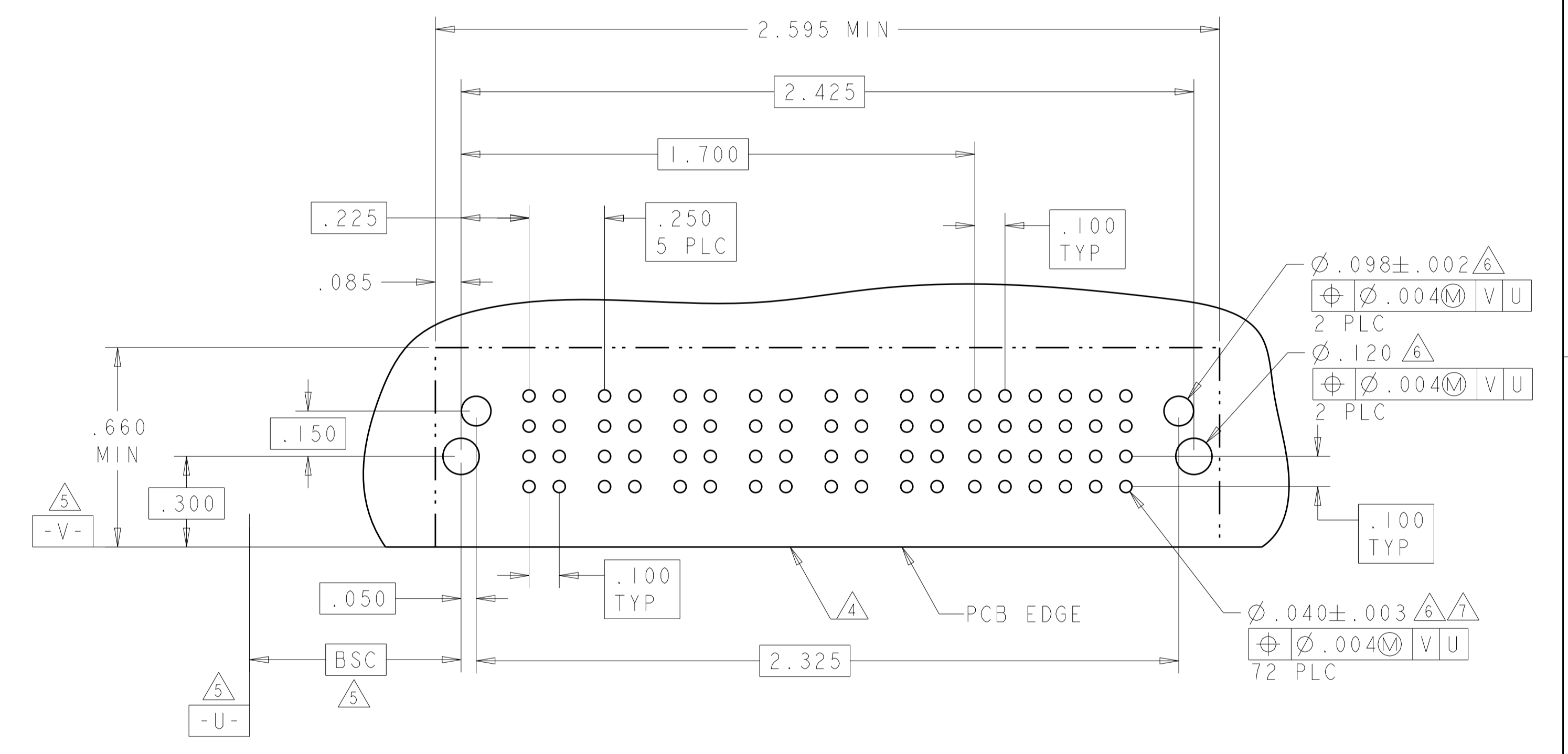
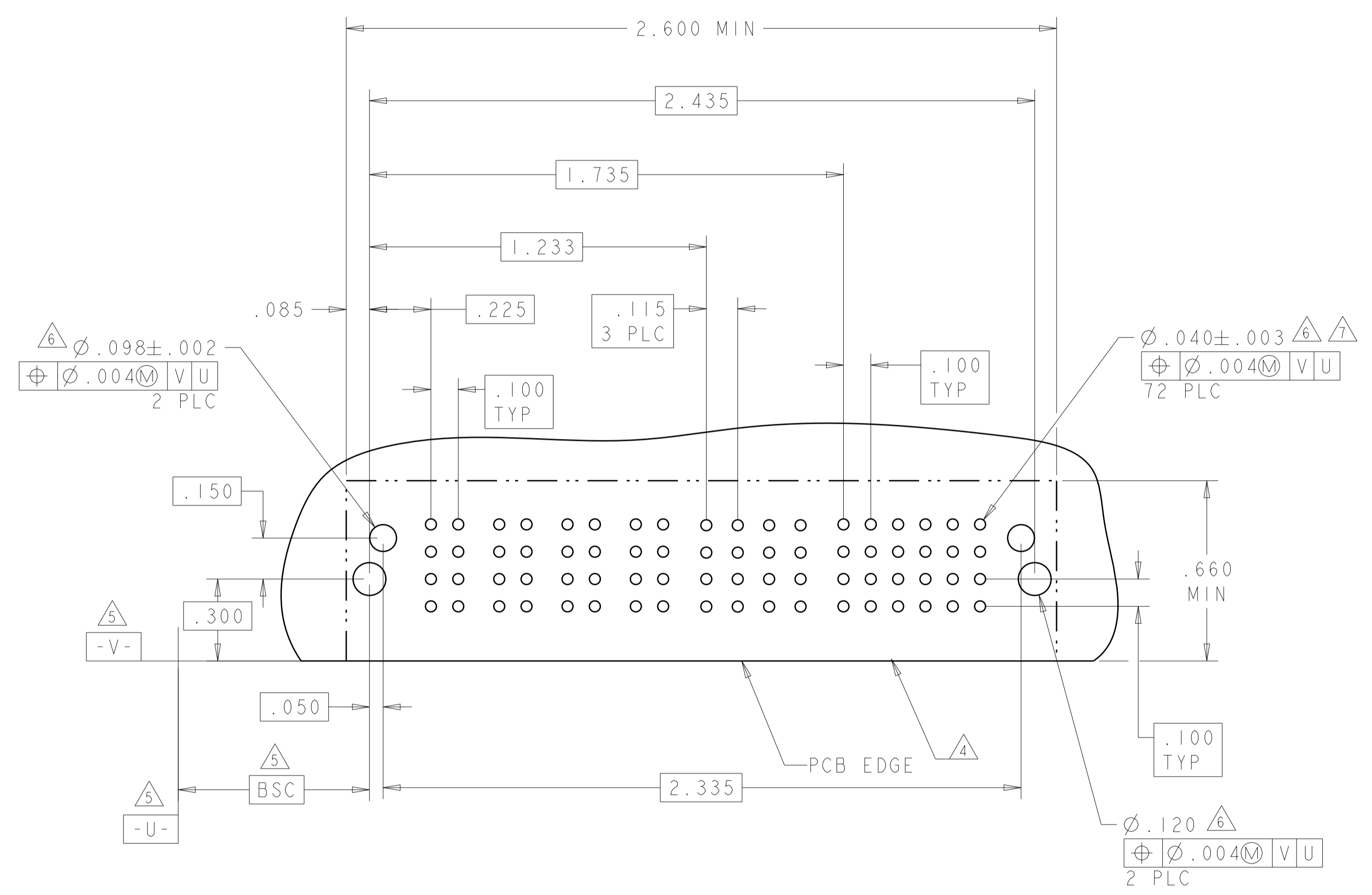
FOR P/N:6450832-8 AND 3-6450832-1, OTHER DIMENSIONS PLEASE SEE SHEET 1

| | | | |
|--|---|-------------------------------|--|
| THIS DRAWING IS A CONTROLLED DOCUMENT. | | DMN H. LIU 27MAY2008 | |
| | | CHK S. ZHAO 27MAY2008 | |
| DIMENSIONS: | TOLERANCES UNLESS OTHERWISE SPECIFIED: | APVD S. ZHAO | NAME R/A HEADER WITH SHORT GUIDES AND LP CONTACTS ASSEMBLY MULTI-BEAM XLE |
| INCHES | 0 PLC ±. 1 PLC ±.01 2 PLC ±.01 3 PLC ±.005 4 PLC ±.0020 | PRODUCT SPEC 108-2292 | SIZE A100779 |
| | ANGLES M7° | APPLICATION SPEC 114-13251 | DRAWING NO C=6450832 |
| MATERIAL | FINISH | WEIGHT | RESTRICTED TO |
| | | CUSTOMER DRAWING | SCALE 4:1 SHEET 3 OF 24 REV K6 |

| LOC | DIST | REVISIONS | | | |
|-----|------|-------------|------|-----|------|
| P | LTM | DESCRIPTION | DATE | DMN | APVD |
| - | - | SEE SHEET 1 | - | - | - |

| PART NUMBER | ROWS | POWER | | | | | | | | SIGNAL | | | | | | | |
|-------------|------|----------------|----|----|----|----|----|----|----|--------|----|---|---|---|---|--|--|
| | | P1 | P2 | P3 | P4 | P5 | P6 | P7 | P8 | 1 | 2 | 3 | 4 | 5 | 6 | | |
| 6450832-2 | D | TM | TM | TM | TM | LM | LM | LM | LM | J | J | J | J | J | J | | |
| | C | TM | TM | TM | TM | LM | LM | LM | LM | K | K | K | K | K | K | | |
| | B | TM | TM | TM | TM | LM | LM | LM | LM | N | N | N | N | N | N | | |
| | A | TM | TM | TM | TM | LM | LM | LM | LM | S | S | S | S | S | S | | |
| | | HD | | | | | | | | | HD | | | | | | |
| | | 4P + 4LP + 24S | | | | | | | | | | | | | | | |

| PART NUMBER | ROWS | POWER | | | | | | SIGNAL | | | | | | | |
|-------------|------|----------|----|----|----|----|----|--------|----|---|---|---|---|--|--|
| | | P1 | P2 | P3 | P4 | P5 | P6 | 1 | 2 | 3 | 4 | 5 | 6 | | |
| 6450832-3 | D | TM | TM | TM | TM | TM | TM | J | J | J | J | J | J | | |
| | C | TM | TM | TM | TM | TM | TM | K | K | K | K | K | K | | |
| | B | TM | TM | TM | TM | TM | TM | N | N | N | N | N | N | | |
| | A | TM | TM | TM | TM | TM | TM | S | S | S | S | S | S | | |
| | | HD | | | | | | | HD | | | | | | |
| | | 6P + 24S | | | | | | | | | | | | | |



THIS DRAWING IS A CONTROLLED DOCUMENT.

| | | | | | |
|--------------------|--|-------------------------|-----------------------------|--------------|--|
| DIMENSIONS: INCHES | TOLERANCES UNLESS OTHERWISE SPECIFIED: | DMN: H.LIU 27MAY2008 | CHK: S.ZHAO 27MAY2008 | APVD: S.ZHAO | NAME: R/A HEADER WITH SHORT GUIDES AND LP CONTACTS ASSEMBLY MULTI-BEAM XLE |
| 0 PLC ±.01 | 1 PLC ±.01 | PRODUCT SPEC: 108-2292 | APPLICATION SPEC: 114-13251 | WEIGHT: - | SIZE: A1 |
| 2 PLC ±.01 | 3 PLC ±.005 | APPLIC. SPEC: 114-13251 | WEIGHT: - | CAGE CODE: - | DRAWING NO: C=6450832 |
| 4 PLC ±.0020 | ANGLES ±.2° | FINISH: - | WEIGHT: - | CAGE CODE: - | DRAWING NO: C=6450832 |
| MATERIAL: - | FINISH: - | WEIGHT: - | WEIGHT: - | CAGE CODE: - | DRAWING NO: C=6450832 |

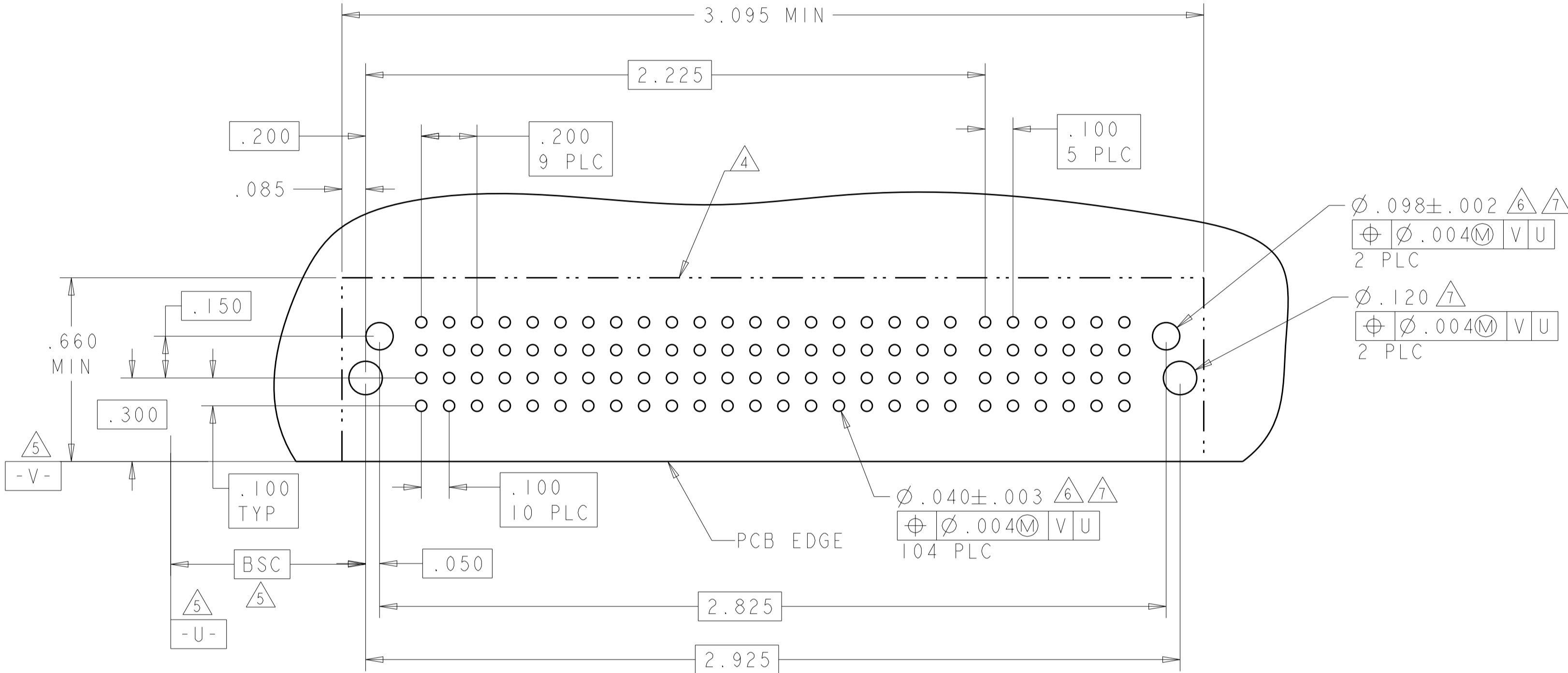
CUSTOMER DRAWING SCALE 4:1 SHEET 5 OF 24 REV K6

| LOC | DIST | REVISIONS | | | |
|-----|------|-------------|------|-----|------|
| P | LTM | DESCRIPTION | DATE | OWN | APVD |
| - | - | SEE SHEET 1 | - | - | - |

| PART NUMBER | ROWS | POWER | | | | | | | | | | SIGNAL | | | | | |
|-------------|------------------|-------|----|----|----|----|----|----|----|----|-----|--------|---|---|---|---|---|
| | | P1 | P2 | P3 | P4 | P5 | P6 | P7 | P8 | P9 | P10 | 1 | 2 | 3 | 4 | 5 | 6 |
| 6450832-4 | D C B A | TM | TM | TM | TM | TM | TM | TM | TM | TM | TM | J | J | J | J | J | J |
| | | TM | TM | TM | TM | TM | TM | TM | TM | TM | TM | K | K | K | K | K | K |
| | | TM | TM | TM | TM | TM | TM | TM | TM | TM | TM | N | N | N | N | N | N |
| 10HDP + 24S | | | | | | | | | | | H | S | S | S | S | S | |

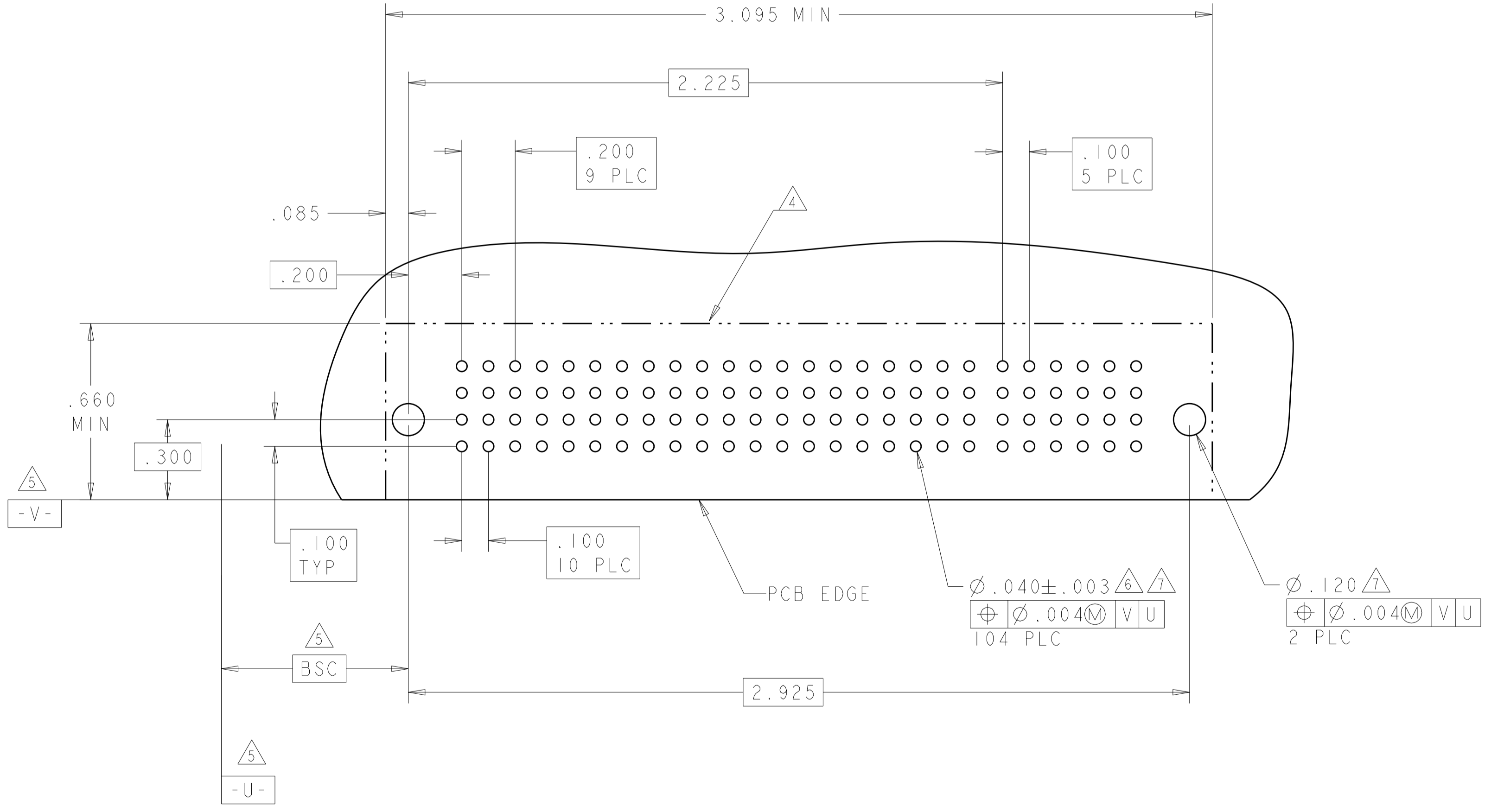
| PART NUMBER | ROWS | POWER | | | | | | | | | | SIGNAL | | | | | |
|-------------|------------------|-------|----|----|----|----|----|----|----|----|-----|--------|---|---|---|---|---|
| | | P1 | P2 | P3 | P4 | P5 | P6 | P7 | P8 | P9 | P10 | 1 | 2 | 3 | 4 | 5 | 6 |
| 6450832-5 | D C B A | TM | TM | TM | TM | TM | TM | TM | TM | TM | TM | J | J | J | J | J | J |
| | | TM | TM | TM | TM | TM | TM | TM | TM | TM | TM | K | K | K | K | K | K |
| | | TM | TM | TM | TM | TM | TM | TM | TM | TM | TM | N | N | N | N | N | N |
| 10HDP + 24S | | | | | | | | | | | H | S | S | S | S | S | |

| PART NUMBER | ROWS | POWER | | | | | | | | | | SIGNAL | | | | | |
|-------------|------------------|-------|----|----|----|----|----|----|----|----|-----|--------|---|---|---|---|---|
| | | P1 | P2 | P3 | P4 | P5 | P6 | P7 | P8 | P9 | P10 | 1 | 2 | 3 | 4 | 5 | 6 |
| 2-6450832-7 | D C B A | TM | TM | TM | TM | TM | TM | TM | TM | TM | TM | J | J | J | J | J | J |
| | | TM | TM | TM | TM | TM | TM | TM | TM | TM | TM | K | K | K | K | K | K |
| | | TM | TM | TM | TM | TM | TM | TM | TM | TM | TM | N | N | N | N | N | N |
| 10HDP + 24S | | | | | | | | | | | H | S | S | S | S | S | |



$\varnothing .098 \pm .002$ 6 7
 $\oplus \varnothing .004$ M V U
 2 PLC
 $\varnothing .120$ 7
 $\oplus \varnothing .004$ M V U
 2 PLC

$\varnothing .040 \pm .003$ 6 7
 $\oplus \varnothing .004$ M V U
 104 PLC



$\varnothing .040 \pm .003$ 6 7
 $\oplus \varnothing .004$ M V U
 104 PLC

$\varnothing .120$ 7
 $\oplus \varnothing .004$ M V U
 2 PLC

PCB LAYOUT FOR P/N: 6450832-5 AND 2-6450832-7

| | | | |
|--|--|---|--|
| THIS DRAWING IS A CONTROLLED DOCUMENT. | | OWN: H.LIU 27MAY2008 | TE Connectivity |
| DIMENSIONS: INCHES | | CHK: S.ZHAO 27MAY2008 | |
| DIMENSIONS: INCHES 0 PLC ± 2 PLC ±.01 3 PLC ±.01 4 PLC ±.005 5 PLC ±.0020 ANGLES ±.020 | | NAME: R/A HEADER WITH SHORT GUIDES AND LP CONTACTS ASSEMBLY PRODUCT SPEC: 108-2292 APPLICATION SPEC: 114-13251 WEIGHT: - CUSTOMER DRAWING | |
| MATERIAL: FINISH: * | | APVD: S.ZHAO | SIZE: A1 CAGE CODE: 100779 DRAWING NO: 6450832 SCALE: 4:1 SHEET 6 OF 24 REV: K6 |

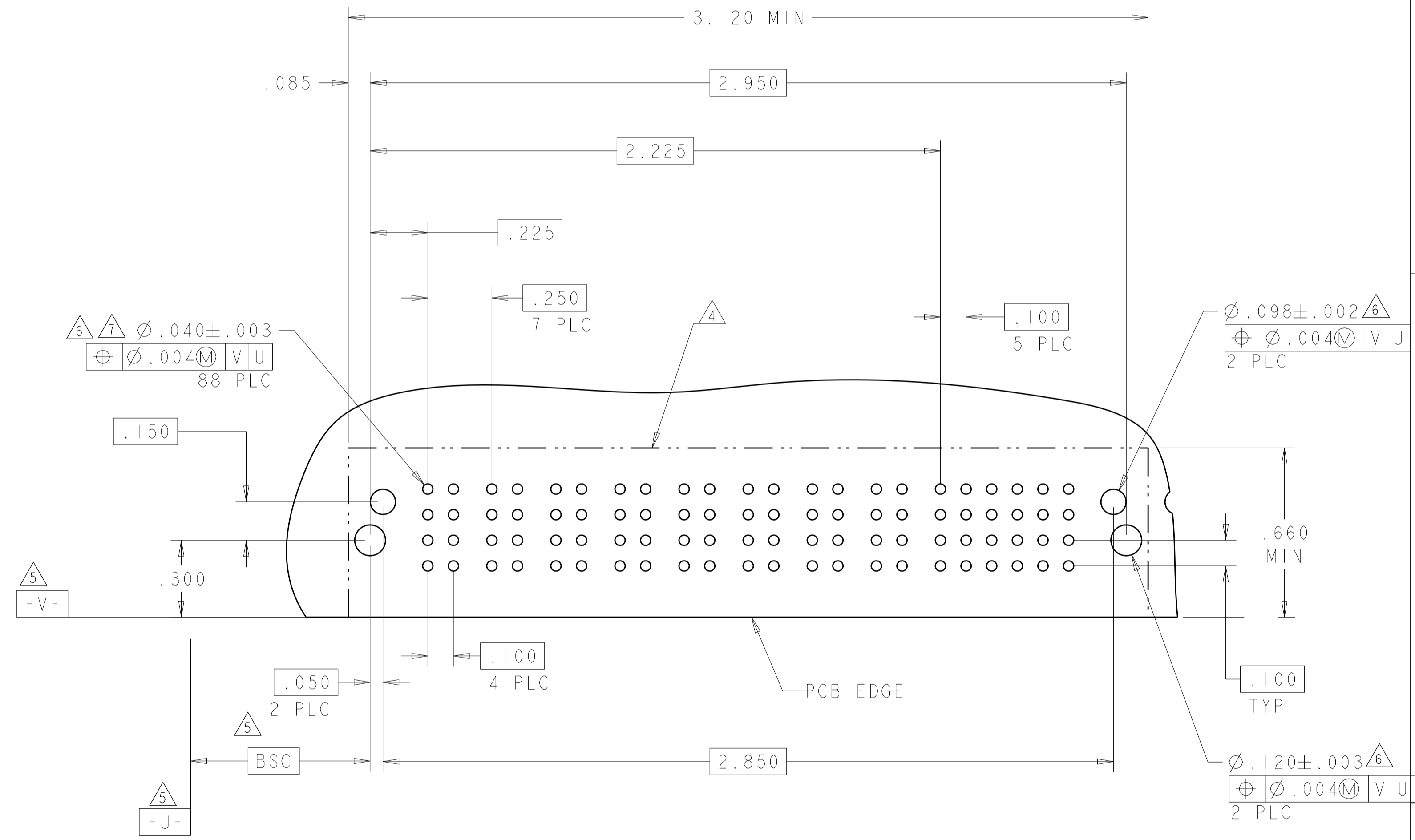
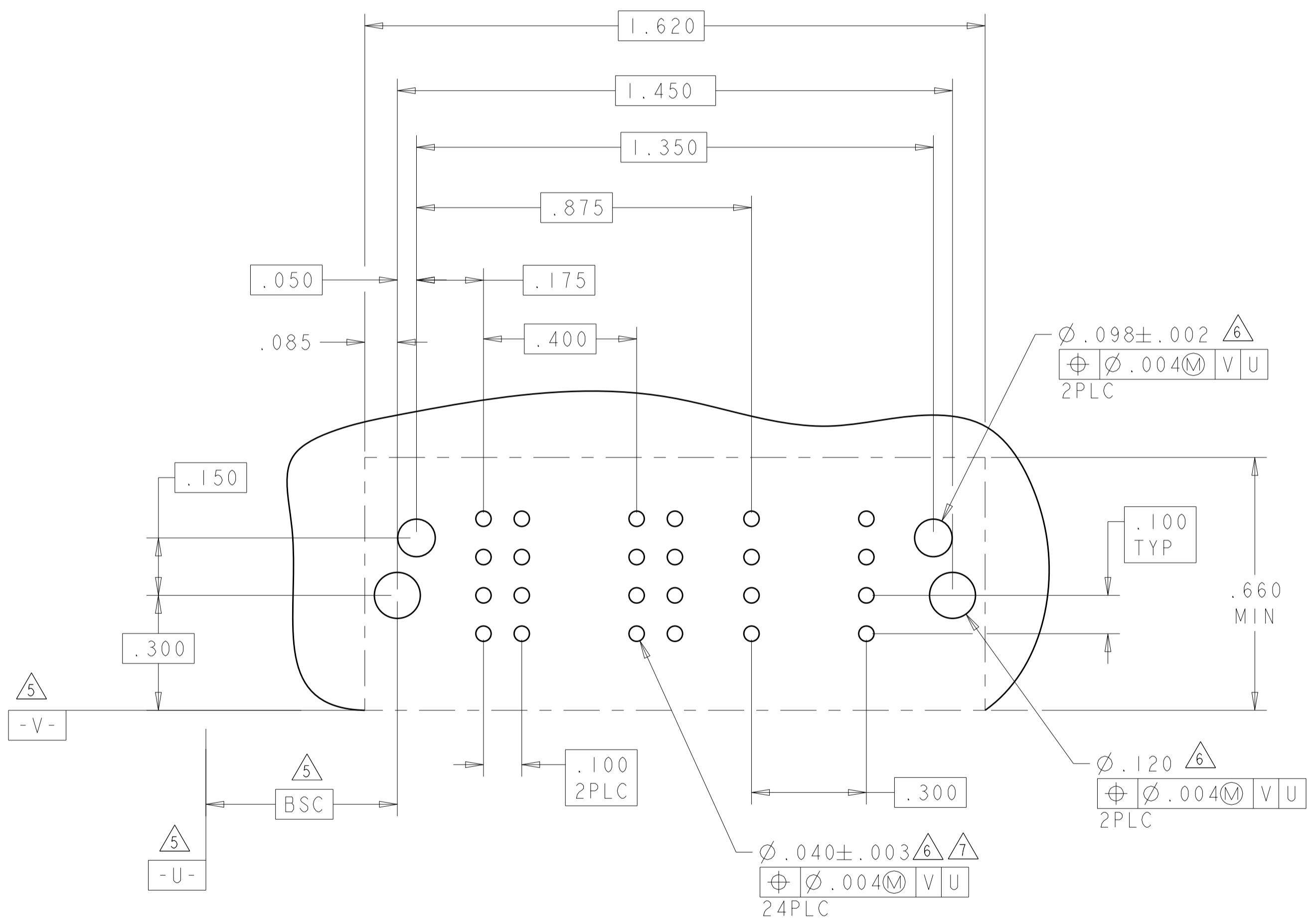
| LOC | DIST | REVISIONS | | | |
|-----|------|-------------|------|-----|------|
| P | LTM | DESCRIPTION | DATE | OWN | APVD |
| - | - | SEE SHEET 1 | - | - | - |

| PART NUMBER | ROWS | POWER | | | SIGNAL | | | |
|-------------|------|-------|----|----|--------|---|---|---|
| | | P1 | P2 | P3 | 1 | 2 | 3 | 4 |
| 6450832-9 | D | TM | TM | TM | J | | | J |
| | C | | | | K | | | K |
| | B | | | | N | | | N |
| | A | | | | S | | | S |

| PART NUMBER | ROWS | POWER | | | | | | | | SIGNAL | | | | | |
|-------------|------|-------|----|----|----|----|----|----|----|--------|---|---|---|---|---|
| | | P1 | P2 | P3 | P4 | P5 | P6 | P7 | P8 | 1 | 2 | 3 | 4 | 5 | 6 |
| 3-6450832-4 | D | TM | TM | TM | TM | TM | TM | TM | TM | J | J | J | J | J | J |
| | C | | | | | | | | | K | K | K | K | K | |
| | B | | | | | | | | | N | N | N | N | N | |
| | A | | | | | | | | | S | S | S | S | S | |

2P + 8S
NO LOADING CONTACTS
.400

H9

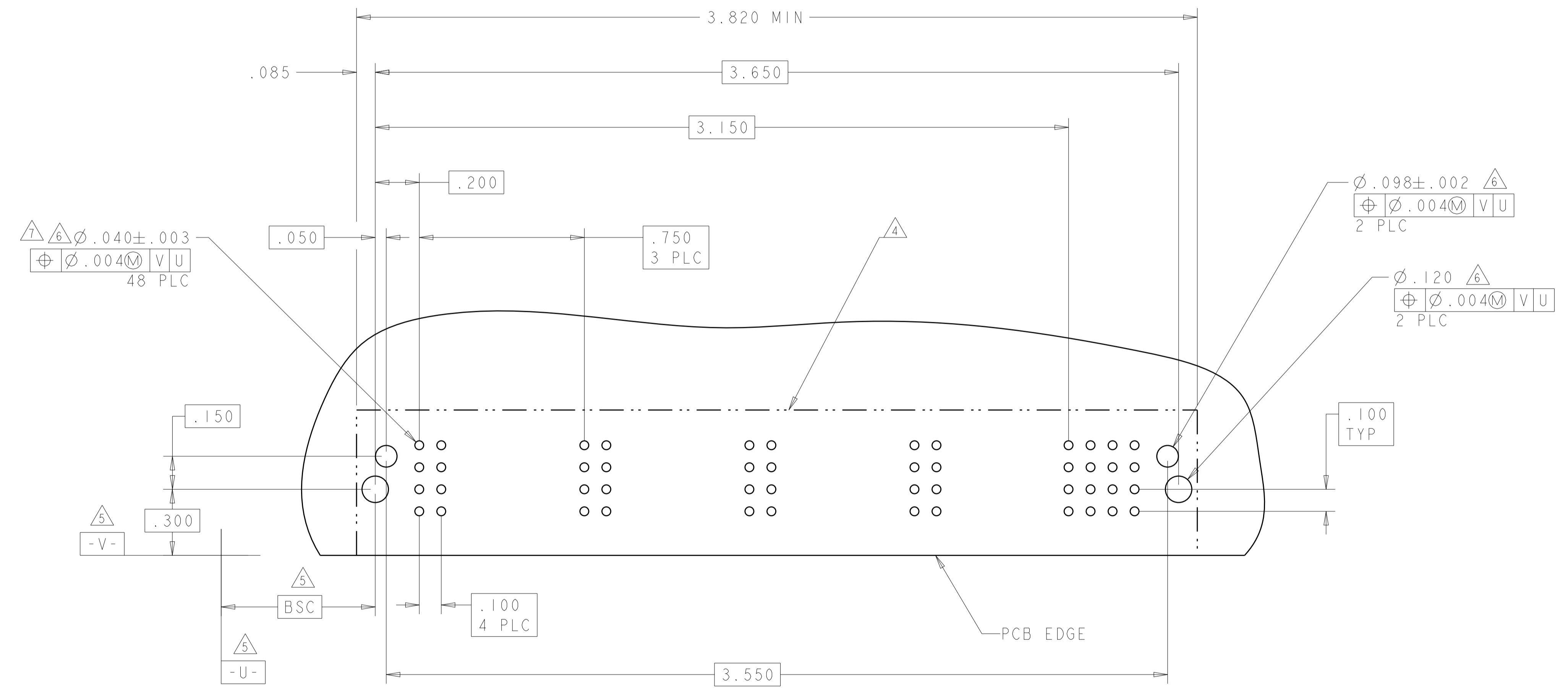


| | | | |
|--|--------------|-----------------------------|--|
| THIS DRAWING IS A CONTROLLED DOCUMENT. | | OWN: H. LIU 27MAY2008 | TE Connectivity |
| DIMENSIONS: INCHES | | CHK: S. ZHAO 27MAY2008 | |
| TOLERANCES UNLESS OTHERWISE SPECIFIED: | | APVD: S. ZHAO | NAME: R/A HEADER WITH SHORT GUIDES AND LP CONTACTS ASSEMBLY MULTI-BEAM XLE |
| 0 PLC ±.01 | 1 PLC ±.01 | PRODUCT SPEC: 108-2292 | SIZE: A1 |
| 2 PLC ±.01 | 3 PLC ±.005 | APPLICATION SPEC: 114-13251 | CAGE CODE: C=6450832 |
| 4 PLC ±.0020 | ANGLES ±.020 | WEIGHT: - | SCALE: 4:1 |
| MATERIAL: - | FINISH: - | CUSTOMER DRAWING | SHEET 8 OF 24 |

| LOC | | DIST | | REVISIONS | | | |
|-----|-----|-------------|------|-----------|------|--|--|
| P | LTN | DESCRIPTION | DATE | DMN | APVD | | |
| - | - | SEE SHEET 1 | - | - | - | | |

| PART NUMBER | ROWS | POWER | | | | | | | | | | | | SIGNAL | | | |
|-------------|------|-------|----|----|----|----|----|----|----|----|-----|-----|-----|--------|---|---|---|
| | | P1 | P2 | P3 | P4 | P5 | P6 | P7 | P8 | P9 | P10 | P11 | P12 | 1 | 2 | 3 | 4 |
| 1-6450832-0 | D | | | | | | | | | | | | J | J | J | J | |
| | C | | | | | | | | | | | | K | K | K | K | |
| | B | | | | | | | | | | | | N | N | N | N | |
| A | | | | | | | | | | | | S | S | S | S | | |
| 12P + 16S | | | | | | | | | | | | | | | | | |

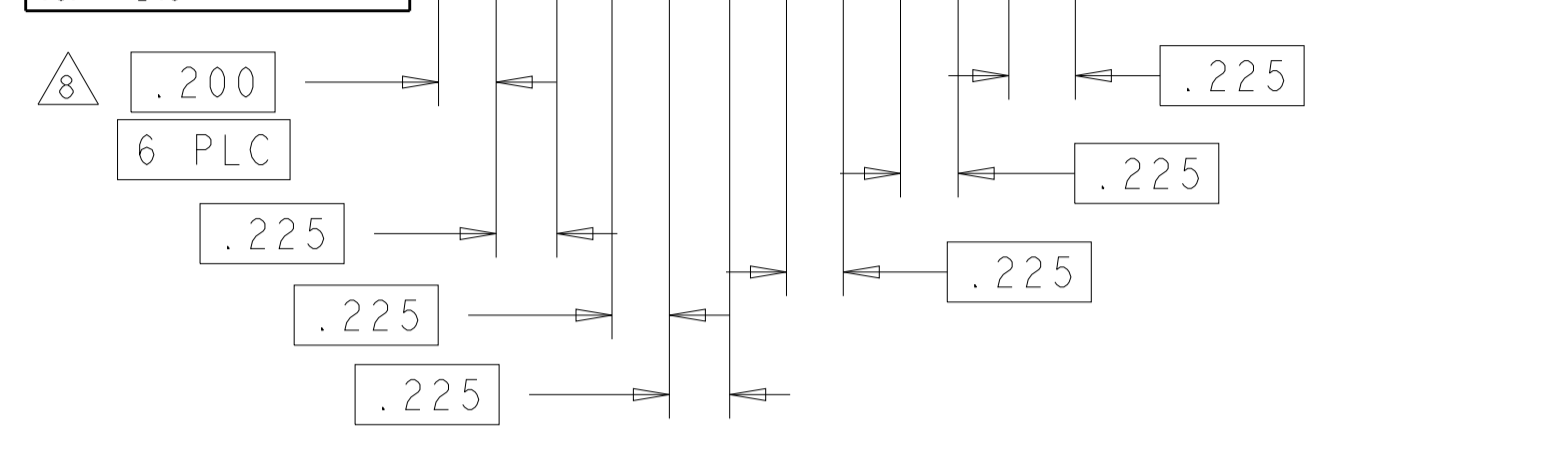
NO CONTACT LOADED



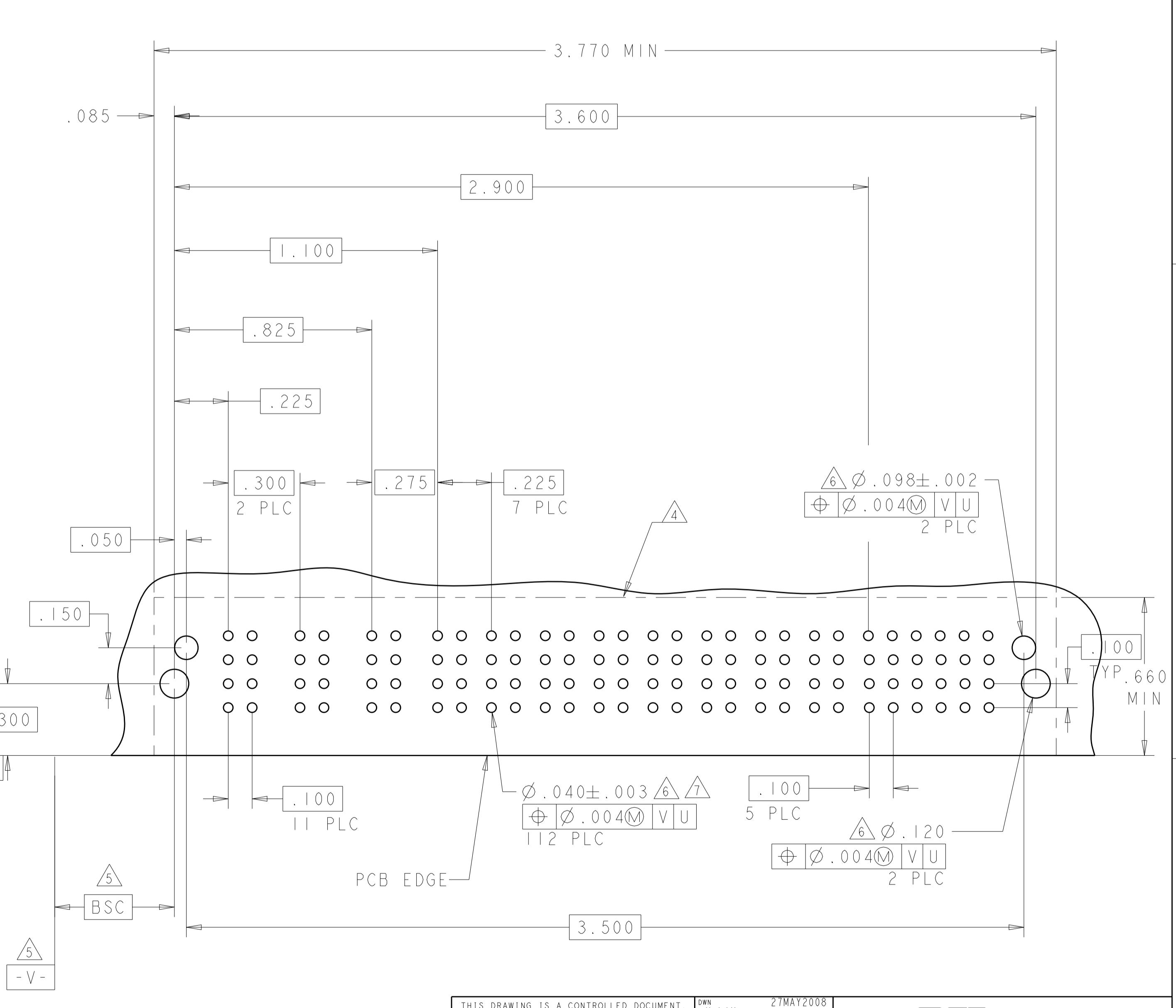
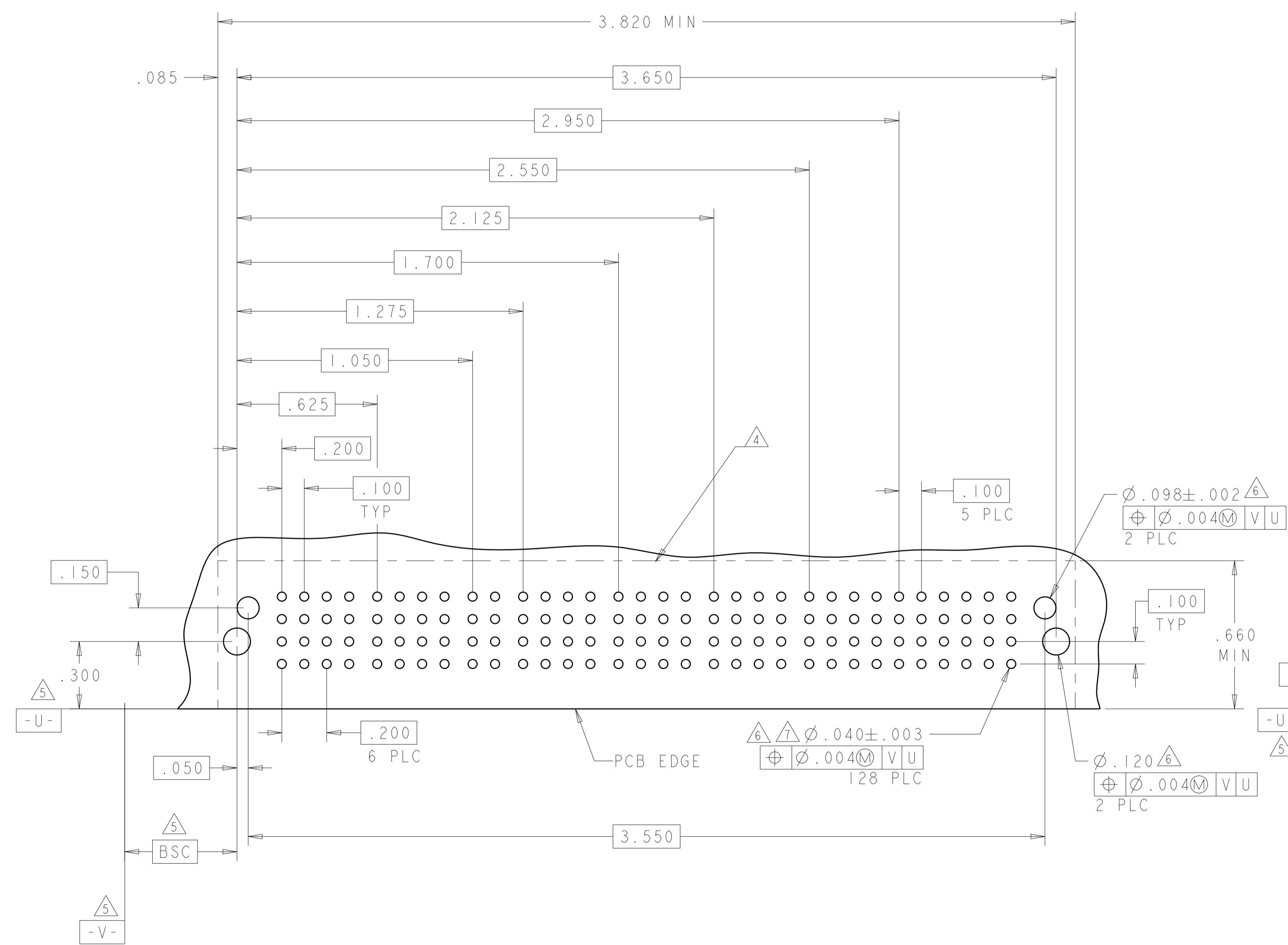
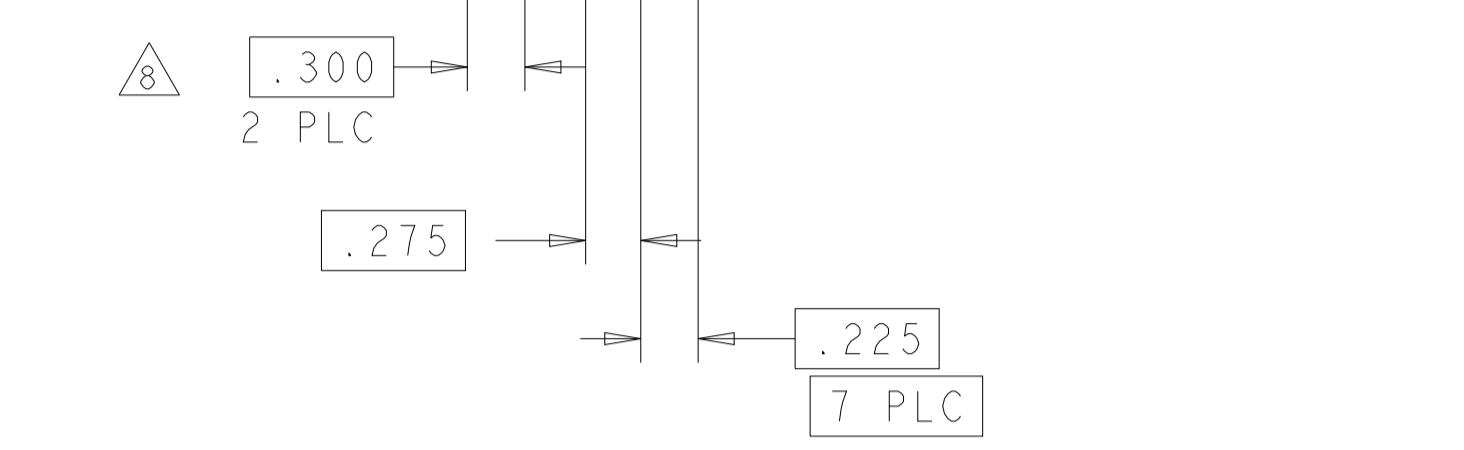
| | | | | |
|--|--|---------------------------------|---|-----------------|
| THIS DRAWING IS A CONTROLLED DOCUMENT. | | DMN H. LIU CHK S. ZHAO | 27MAY2008 27MAY2008 | TE Connectivity |
| DIMENSIONS: INCHES | TOLERANCES UNLESS OTHERWISE SPECIFIED: | APVD S. ZHAO | NAME R/A HEADER WITH SHORT GUIDES AND LP CONTACTS ASSEMBLY | |
| | 0 PLC ± | PRODUCT SPEC | MULTI-BEAM XLE | |
| | 1 PLC ±.01 | 108-2292 | SIZE CAGE CODE DRAWING NO | |
| | 2 PLC ±.01 | APPLICATION SPEC | A100779C=6450832 | |
| | 3 PLC ±.005 | 114-13251 | RESTRICTED TO | |
| | 4 PLC ±.0020 | WEIGHT | - | |
| | ANGLES ±.2° | CUSTOMER DRAWING | SCALE 4:1 SHEET 9 OF 24 REV K6 | |

| LOC | DIST | REVISIONS | | | |
|-----|------|-------------|------|-----|------|
| P | LTN | DESCRIPTION | DATE | DMN | APVD |
| - | - | SEE SHEET 1 | - | - | - |

| PART NUMBER | ROWS | POWER | | | | | | | | | | | SIGNAL | | | | | | |
|-------------|------------------|-------|----|----|----|----|----|----|----|----|-----|-----|--------|-----|---|---|---|---|---|
| | | P1 | P2 | P3 | P4 | P5 | P6 | P7 | P8 | P9 | P10 | P11 | P12 | P13 | 1 | 2 | 3 | 4 | 5 |
| 1-6450832-6 | D C B A | TM | TM | TM | TM | TM | TM | TM | TM | TM | TM | TM | TM | E | E | J | J | E | E |
| | | | | | | | | | | | | | K | F | K | K | K | K | |
| | | | | | | | | | | | | | N | G | N | G | G | G | |
| | | | | | | | | | | | | | S | S | S | S | S | S | |



| PART NUMBER | ROWS | POWER | | | | | | | | | | | SIGNAL | | | | | |
|-------------|------------------|-------|----|----|----|----|----|----|----|----|-----|-----|--------|---|---|---|---|---|
| | | P1 | P2 | P3 | P4 | P5 | P6 | P7 | P8 | P9 | P10 | P11 | 1 | 2 | 3 | 4 | 5 | 6 |
| 1-6450832-7 | D C B A | TM | TM | TM | TM | TM | TM | TM | TM | TM | TM | TM | E | E | J | J | E | E |
| | | | | | | | | | | | | K | F | K | K | K | K | |
| | | | | | | | | | | | | N | G | N | G | G | G | |
| | | | | | | | | | | | | S | S | S | S | S | S | |



THIS DRAWING IS A CONTROLLED DOCUMENT.

| | | | | |
|------------------|--|------------------|---|----------------|
| DIMENSIONS: | TOLERANCES UNLESS OTHERWISE SPECIFIED: | DMN | H. LIU | 27MAY2008 |
| INCHES | 0 PLC ±.01 | CHK | S. ZHAO | 27MAY2008 |
| | 1 PLC ±.01 | APVD | S. ZHAO | - |
| | 2 PLC ±.01 | NAME | R/A HEADER WITH SHORT GUIDES AND LP CONTACTS ASSEMBLY | |
| | 3 PLC ±.01 | PRODUCT SPEC | 108-2292 | |
| | 4 PLC ±.005 | APPLICATION SPEC | 114-13251 | |
| | ANGLES ±.0020 | SIZE | CAGE CODE | DRAWING NO |
| MATERIAL | FINISH | WEIGHT | A100779 | 6450832 |
| CUSTOMER DRAWING | | SCALE | 4:1 | SHEET 11 OF 24 |

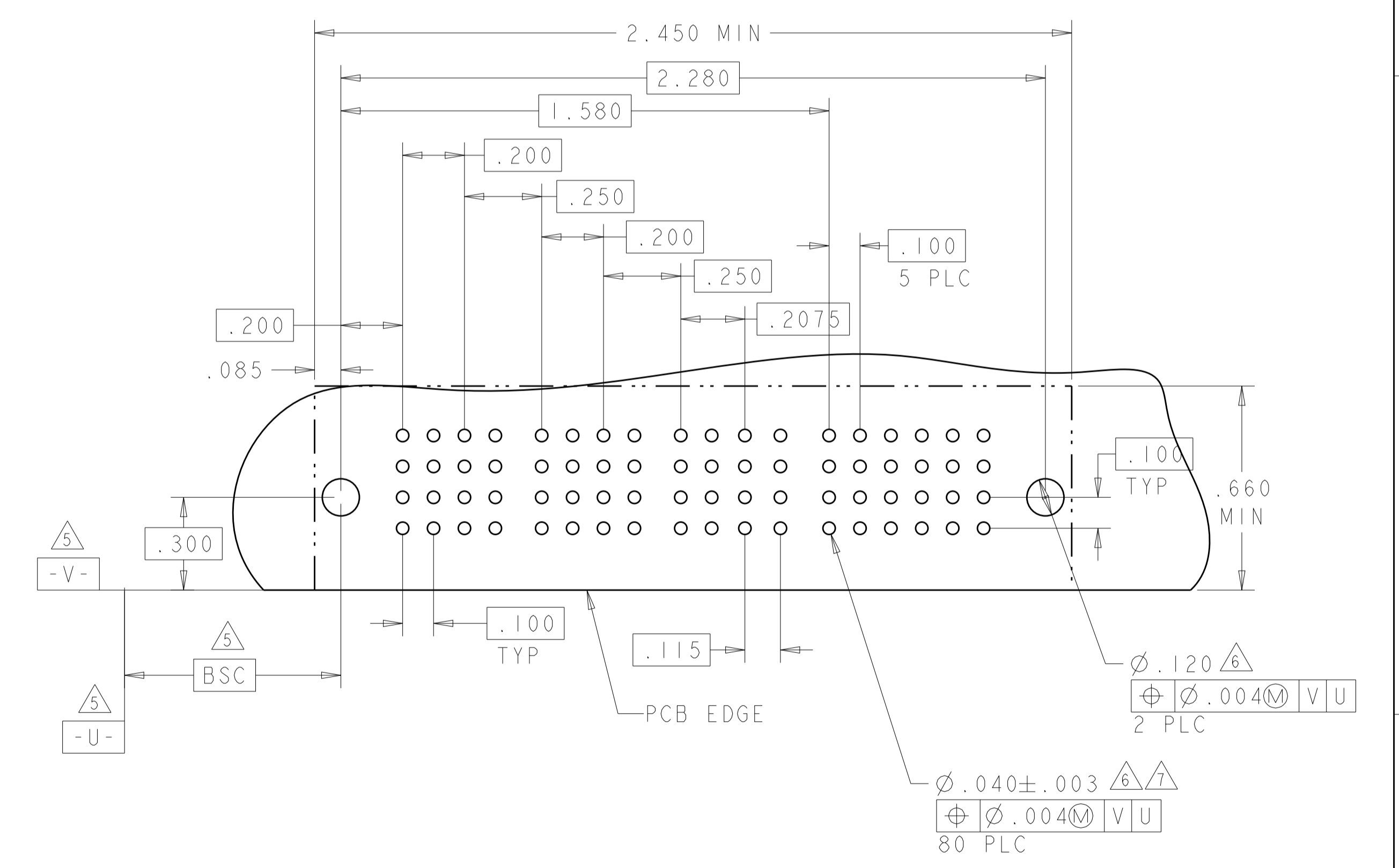
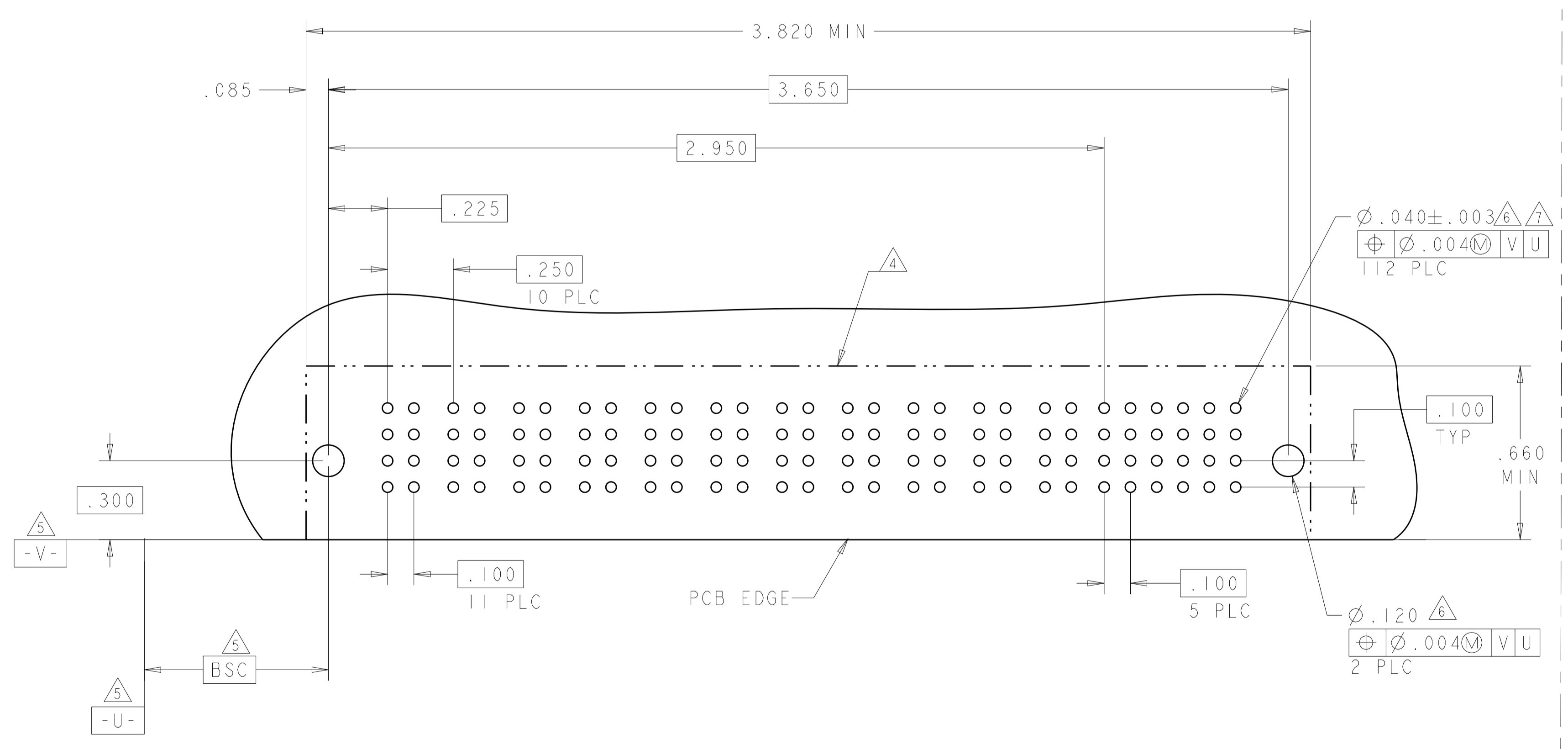
RESTRICTED TO REV K6

| LOC | DIST | REV | DATE | BY | APPV |
|-----|------|-----|------|----|------|
| | | 1 | | | |

| PART NUMBER | ROWS | POWER | | | | | | | | | | SIGNAL | | | | | |
|-------------|------|-------|----|----|----|----|----|----|----|----|-----|--------|---|---|---|---|---|
| | | P1 | P2 | P3 | P4 | P5 | P6 | P7 | P8 | P9 | P10 | P11 | 1 | 2 | 3 | 4 | 5 |
| 1-6450832-9 | D | | | | | | | | | | | J | E | J | J | J | E |
| | C | | | | | | | | | | | K | K | F | F | K | F |
| | B | TM | TM | TM | TM | TM | TM | TM | TM | TM | TM | G | N | G | G | N | G |
| | A | | | | | | | | | | | S | S | S | S | H | H |
| 11P + 24S | | | | | | | | | | | | | | | | | |

| PART NUMBER | ROWS | POWER | | | | | | | SIGNAL | | | | | |
|----------------|------|-------|----|----|----|----|-----|-----|--------|----|---|---|----|----|
| | | P1 | P2 | P3 | P4 | P5 | LP1 | LP2 | 1 | 2 | 3 | 4 | 5 | 6 |
| 2-6450832-0 | D | | | | | | | | J | F | J | J | J | J |
| | C | | | | | | | | K | FK | K | K | F | F |
| | B | TM | TM | TM | TM | TM | LM | LMF | N | FN | N | N | FN | FN |
| | A | | | | | | | | S | FS | H | S | H | H |
| 5P + 2LP + 24S | | | | | | | | | | | | | | |

| PART NUMBER | ROWS | POWER | | | | | | | SIGNAL | | | | | |
|----------------|------|-------|----|----|----|----|-----|-----|--------|----|---|---|----|----|
| | | P1 | P2 | P3 | P4 | P5 | LP1 | LP2 | 1 | 2 | 3 | 4 | 5 | 6 |
| 2-6450832-5 | D | | | | | | | | J | F | J | J | J | J |
| | C | | | | | | | | K | FK | K | K | F | F |
| | B | TM | TM | TM | TM | TM | LMF | LMF | N | FN | N | N | FN | FN |
| | A | | | | | | | | S | FS | H | S | H | H |
| 5P + 2LP + 24S | | | | | | | | | | | | | | |



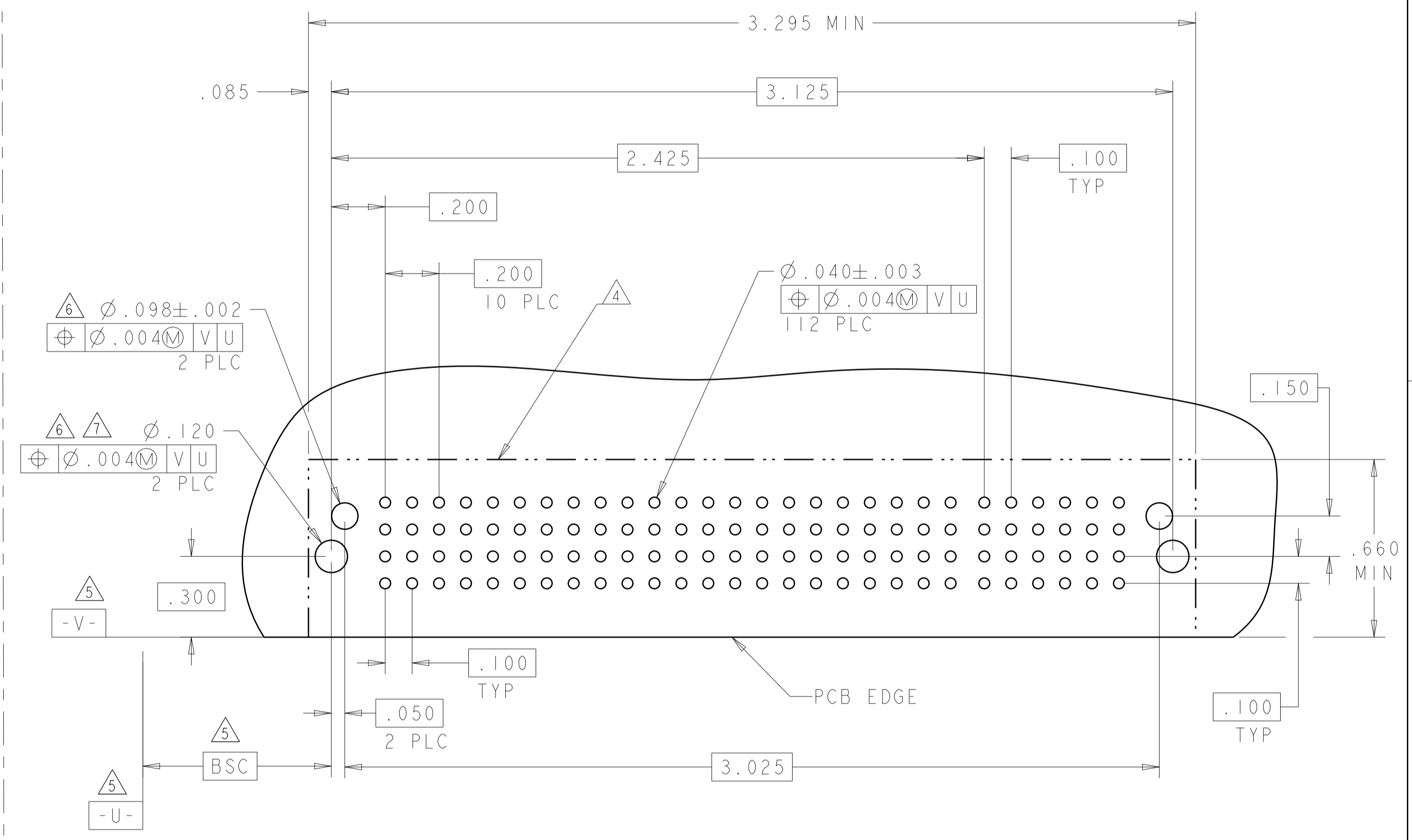
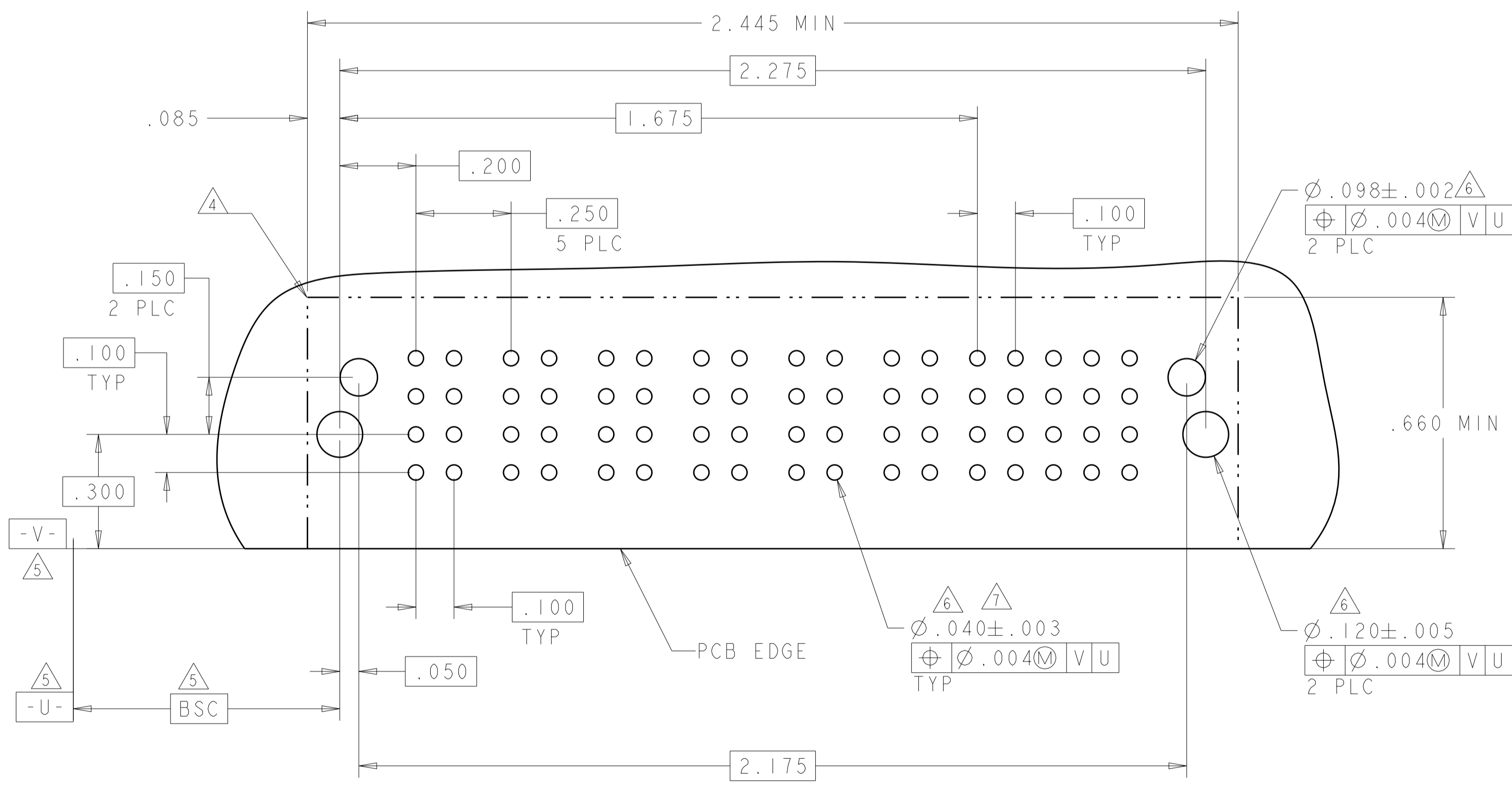
2-6450830-0 AND 2-6450830-5 PCB LAYOUT

| | | | | |
|--|--|-------------------------|----------------------------|---|
| THIS DRAWING IS A CONTROLLED DOCUMENT. | | OWN: H. LIU 27MAY2008 | | TE Connectivity |
| DIMENSIONS: INCHES | | CHK: S. ZHAO 27MAY2008 | | NAME: R/A HEADER WITH SHORT GUIDES AND LP CONTACTS ASSEMBLY |
| TOLERANCES UNLESS OTHERWISE SPECIFIED: | | APVD: S. ZHAO | PRODUCT SPEC: 108-2292 | |
| 0 PLC ±.01 | | PRODUCT SPEC: 114-13251 | APPLICATION SPEC: 108-2292 | |
| 1 PLC ±.01 | | SIZE: 114-13251 | APPLICATION SPEC: 108-2292 | |
| 2 PLC ±.01 | | WEIGHT: - | APPLICATION SPEC: 108-2292 | |
| 3 PLC ±.01 | | CUSTOMER DRAWING | APPLICATION SPEC: 108-2292 | |
| 4 PLC ±.005 | | SCALE: 4:1 | APPLICATION SPEC: 108-2292 | |
| 5 PLC ±.002 | | SHEET 12 OF 24 | APPLICATION SPEC: 108-2292 | |
| ANGLES ±.002 | | REV: K6 | APPLICATION SPEC: 108-2292 | |
| FINISH: - | | | APPLICATION SPEC: 108-2292 | |

| LOC | | DIST | | REVISIONS | | | |
|-----|-----|-------------|------|-----------|------|--|--|
| P | LTN | DESCRIPTION | DATE | DMN | APVD | | |
| - | - | SEE SHEET 1 | - | - | - | | |

| PART NUMBER | ROWS | POWER | | | | | | SIGNAL | | | | |
|-------------|------------------|-------|----|----|----|----|----|--------|---|---|---|---|
| | | P1 | P2 | P3 | P4 | P5 | P6 | 1 | 2 | 3 | 4 | 5 |
| 2-6450832-2 | D C B A | TM | TM | TM | TM | TM | J | J | J | J | J | |
| | | | | | | | K | K | K | K | K | |
| | | | | | | | N | G | N | N | N | |
| | | | | | | | S | S | S | S | S | |
| 6P + 20S | | HD | | | | | | | | | | |

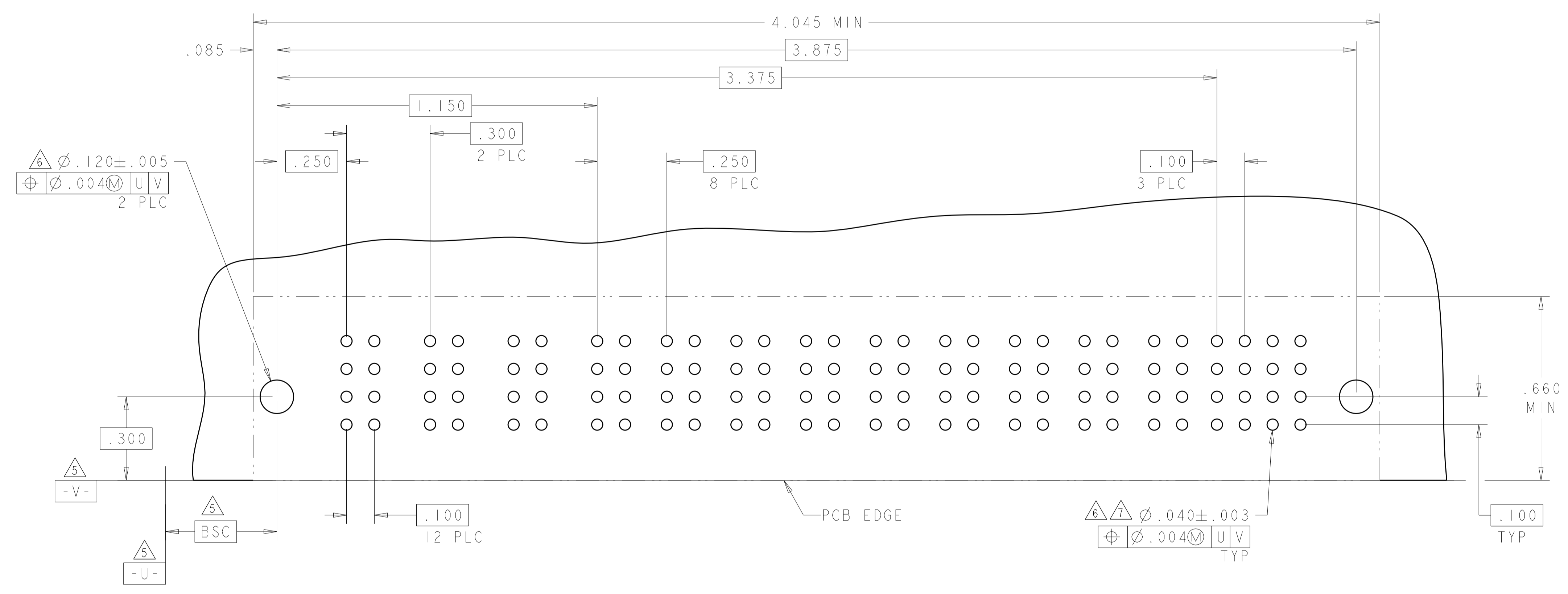
| PART NUMBER | ROWS | POWER | | | | | | | | | | SIGNAL | | | | | | |
|-------------|------------------|-------|----|----|----|----|----|----|----|----|-----|--------|----|---|---|---|---|---|
| | | P1 | P2 | P3 | P4 | P5 | P6 | P7 | P8 | P9 | P10 | P11 | 1 | 2 | 3 | 4 | 5 | 6 |
| 2-6450832-8 | D C B A | TM | TM | TM | TM | TM | TM | TM | TM | TM | TM | J | J | J | J | J | E | |
| | | | | | | | | | | | | K | K | K | K | K | F | |
| | | | | | | | | | | | | N | N | N | N | N | N | |
| 11HDP + 24S | | HD | | | | | | | | | | | HD | | | | | |



| | | | |
|--|--|-----------------------------|---|
| THIS DRAWING IS A CONTROLLED DOCUMENT. | | DMN: H.LIU 27MAY2008 | TE Connectivity |
| DIMENSIONS: INCHES | | CHK: S.ZHAO 27MAY2008 | |
| TOLERANCES UNLESS OTHERWISE SPECIFIED: | | APVD: S.ZHAO | NAME: R/A HEADER WITH SHORT GUIDES AND LP CONTACTS ASSEMBLY |
| 0 PLC ±.01 | | PRODUCT SPEC: 108-2292 | MULTI-BEAM XLE |
| 1 PLC ±.01 | | APPLICATION SPEC: 114-13251 | SIZE: A100779C=6450832 |
| 2 PLC ±.01 | | WEIGHT: - | RESTRICTED TO: - |
| 3 PLC ±.005 | | CUSTOMER DRAWING | SCALE: 4:1 SHEET 13 OF 24 REV: K6 |
| 4 PLC ±.002 | | | |
| ANGLES ±.020 | | | |
| FINISH: #2 | | | |

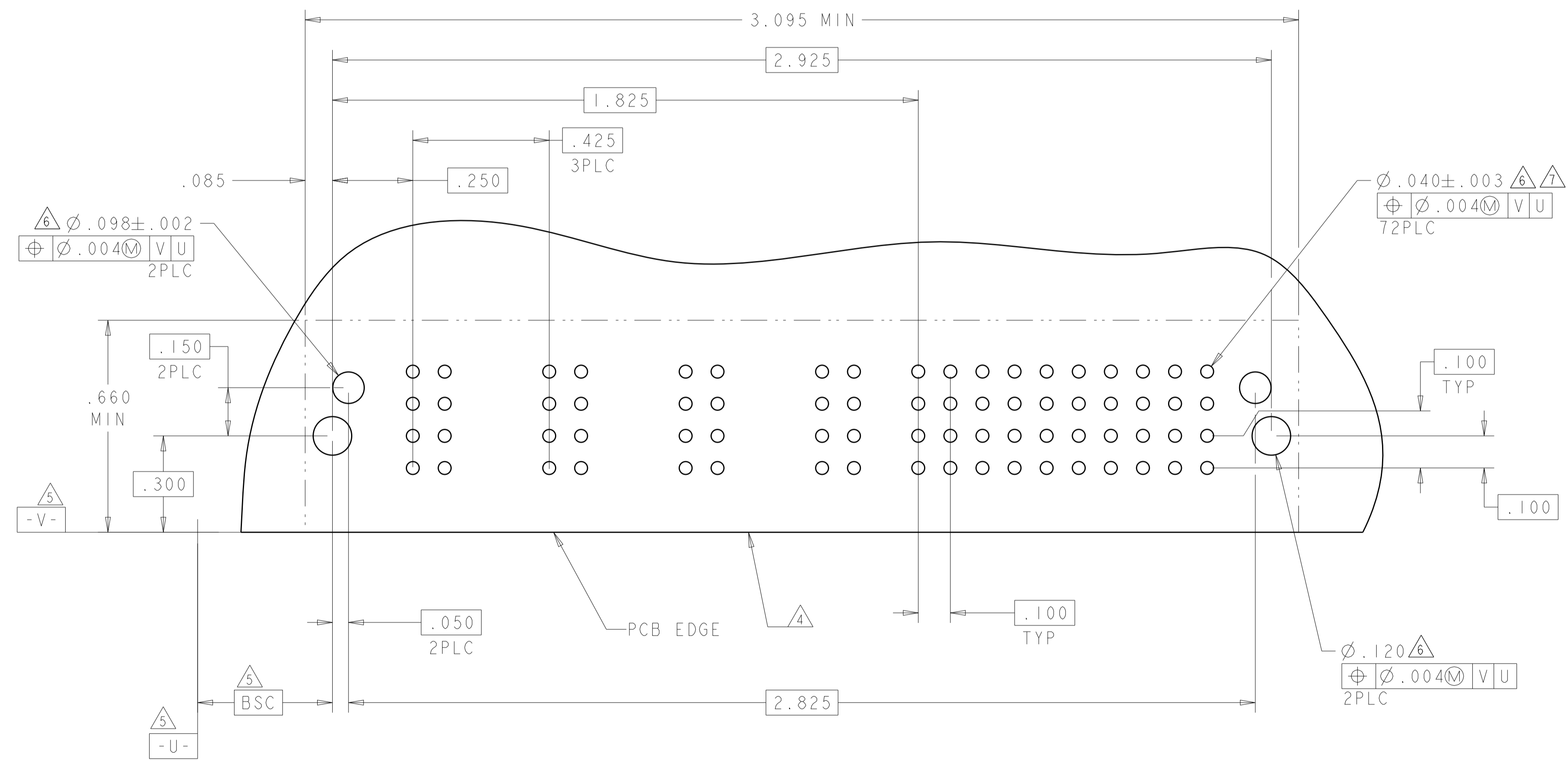
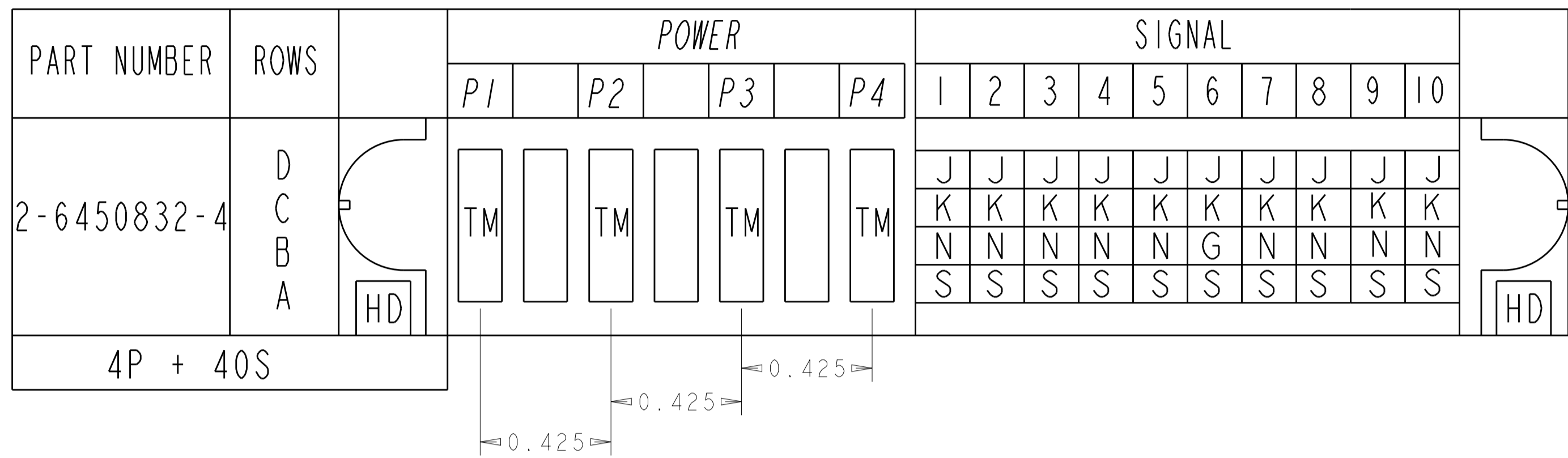
| LOC | | DIST | | REVISIONS | | | |
|-----|-----|-------------|------|-----------|------|--|--|
| P | LTN | DESCRIPTION | DATE | DMN | APVD | | |
| - | | SEE SHEET 1 | - | - | - | | |

| PART NUMBER | ROWS | POWER | | | | | | | | | | | | SIGNAL | | | |
|-----------------|------------------|-------|----|----|----|----|----|----|----|----|-----|-----|-----|--------|---|---|---|
| | | P1 | P2 | P3 | P4 | P5 | P6 | P7 | P8 | P9 | P10 | P11 | P12 | 1 | 2 | 3 | 4 |
| 2-6450832-3 | D C B A | PS | PS | PS | PS | PS | PS | PS | PS | PS | PS | PS | PS | J | J | J | J |
| | | PS | PS | PS | PS | PS | PS | PS | PS | PS | PS | PS | PS | K | K | K | K |
| | | PS | PS | PS | PS | PS | PS | PS | PS | PS | PS | PS | PS | N | N | N | N |
| | | PS | PS | PS | PS | PS | PS | PS | PS | PS | PS | PS | PS | S | S | S | H |
| 3ACP + 9P + 16S | | | | | | | | | | | | | | | | | |



| | | | |
|---|--|-----------------------------|--|
| THIS DRAWING IS A CONTROLLED DOCUMENT. | | DMN: H.LIU 27MAY2008 | |
| DIMENSIONS: INCHES | | CHK: S.ZHAO 27MAY2008 | |
| TOLERANCES UNLESS OTHERWISE SPECIFIED: | | APVD: S.ZHAO | NAME: R/A HEADER WITH SHORT GUIDES AND LP CONTACTS ASSEMBLY MULTI-BEAM XLE |
| 0 PLC ± 1 PLC ±.01 2 PLC ±.01 3 PLC ±.005 4 PLC ±.0020 ANGLES ±.2° | | PRODUCT SPEC: 108-2292 | SIZE: A100779 |
| MATERIAL: FINISH: | | APPLICATION SPEC: 114-13251 | DRAWING NO: C=6450832 |
| | | WEIGHT: - | RESTRICTED TO: - |
| | | CUSTOMER DRAWING | SCALE: 4:1 SHEET 14 OF 24 REV: K6 |

| LOC | DIST | REVISIONS | | | |
|-----|------|-------------|------|-----|------|
| P | LTN | DESCRIPTION | DATE | DMN | APVD |
| - | - | SEE SHEET 1 | - | - | - |
| | | | | | |
| | | | | | |



RECOMMENDED PCB LAYOUT BY TE

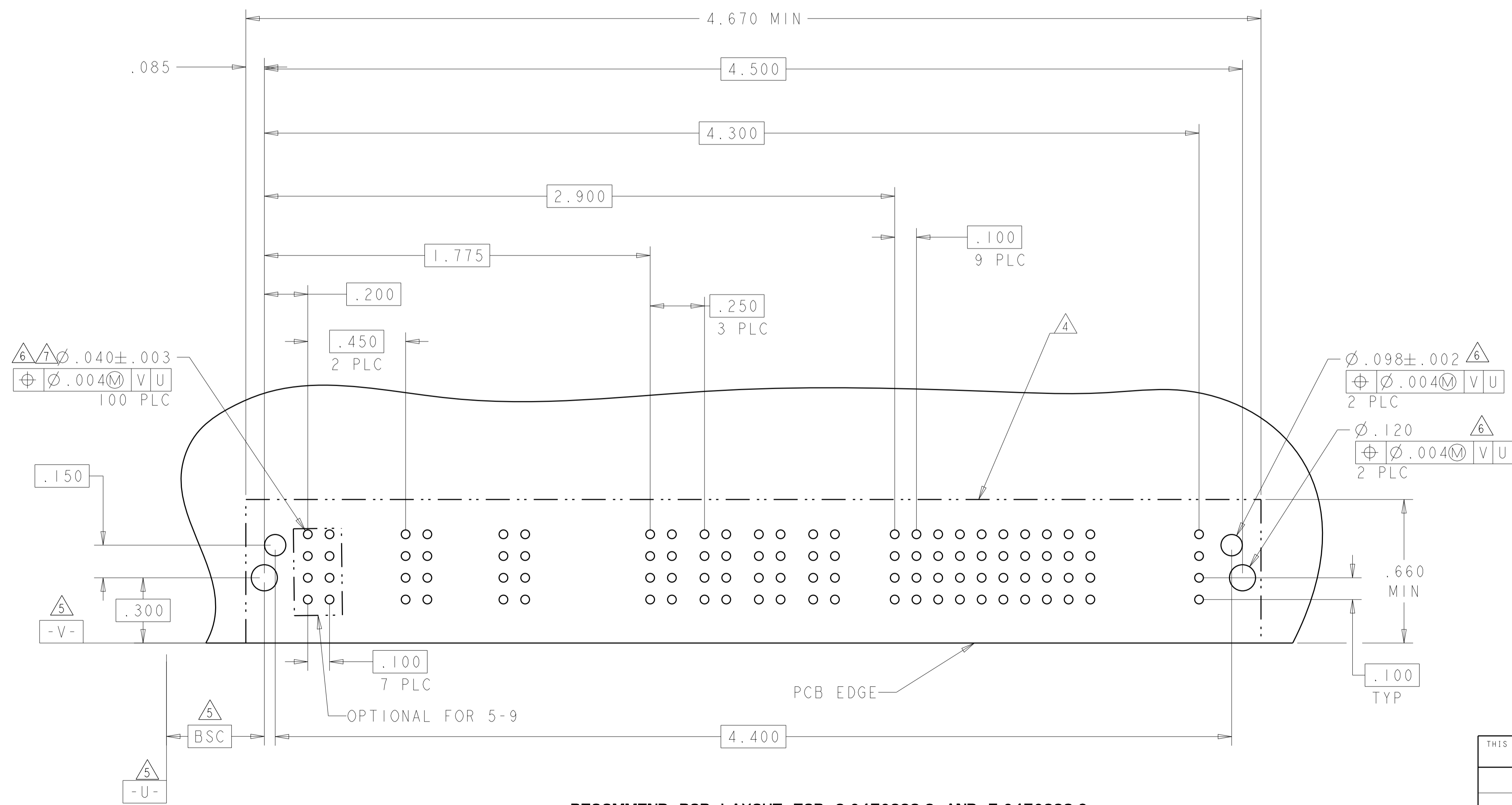
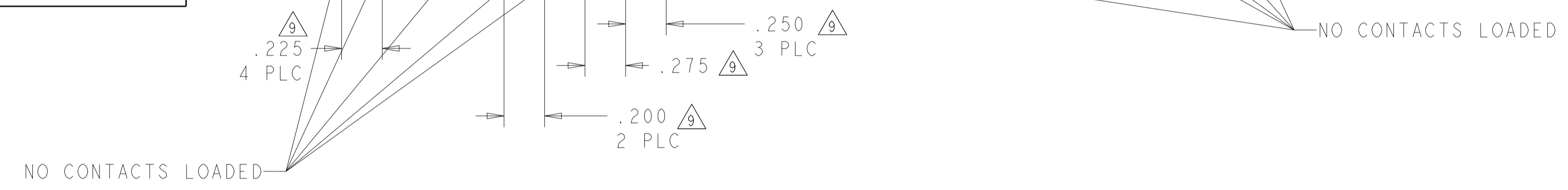
| | | | |
|--|--|-----------------------------|--|
| THIS DRAWING IS A CONTROLLED DOCUMENT. | | DMN: H.LIU 27MAY2008 | |
| DIMENSIONS: INCHES | | CHK: S.ZHAO 27MAY2008 | |
| TOLERANCES UNLESS OTHERWISE SPECIFIED: | | APVD: S.ZHAO | NAME: R/A HEADER WITH SHORT GUIDES AND LP CONTACTS ASSEMBLY MULTI-BEAM XLE |
| 0 PLC ±.01 | | PRODUCT SPEC: 108-2292 | SIZE: A100779 |
| 1 PLC ±.01 | | APPLICATION SPEC: 114-13251 | CAGE CODE: C=6450832 |
| 2 PLC ±.01 | | WEIGHT: - | RESTRICTED TO: - |
| 3 PLC ±.005 | | CUSTOMER DRAWING | SCALE: 4:1 |
| 4 PLC ±.002 | | SCALE: 4:1 | SHEET: 15 OF 24 |
| ANGLES: ±.2° | | SCALE: 4:1 | REV: K6 |

| LOC | DIST | REVISIONS | | | |
|-----|------|-------------|------|-----|------|
| P | LTH | DESCRIPTION | DATE | DMN | APVD |
| - | - | SEE SHEET 1 | - | - | - |

| ASSY PART NUMBER | ROWS | POWER | | | | | | | | | | SIGNAL | | | | | | | | | | | | | | | | | |
|------------------|------|-------|----|----|----|----|----|----|----|----|-----|--------|---|---|---|---|---|---|---|---|---|----|----|----|----|----|----|----|---|
| | | P1 | P2 | P3 | P4 | P5 | P6 | P7 | P8 | P9 | P10 | P11 | 1 | 2 | 3 | 4 | 5 | 6 | 7 | 8 | 9 | 10 | 11 | 12 | 13 | 14 | 15 | 16 | |
| 3-6450832-3 | DCBA | TM | TM | TM | | | | | TM | TM | TM | TM | J | J | J | J | J | J | J | J | J | J | | | | | | | J |
| | | | | | | | | | | | | | N | N | N | N | N | N | N | N | N | N | | | | | | | K |
| | | | | | | | | | | | | | S | S | S | S | S | S | S | S | S | S | | | | | | | S |



| ASSY PART NUMBER | ROWS | POWER | | | | | | | | | | SIGNAL | | | | | | | | | | | | | | | | | |
|------------------|------|-------|----|----|----|----|----|----|----|----|-----|--------|---|---|---|---|---|---|---|---|---|----|----|----|----|----|----|----|---|
| | | P1 | P2 | P3 | P4 | P5 | P6 | P7 | P8 | P9 | P10 | P11 | 1 | 2 | 3 | 4 | 5 | 6 | 7 | 8 | 9 | 10 | 11 | 12 | 13 | 14 | 15 | 16 | |
| 5-6450832-9 | DCBA | | TM | TM | | | | | TM | TM | TM | TM | J | J | J | J | J | J | J | J | J | J | | | | | | | J |
| | | | | | | | | | | | | | N | N | N | N | N | N | N | N | N | N | | | | | | | K |
| | | | | | | | | | | | | | S | S | S | S | S | S | S | S | S | S | | | | | | | S |



RECOMMEND PCB LAYOUT FOR 3-6450332-3 AND 5-6450832-9

| | | | |
|--|--|-----------------------------|--|
| THIS DRAWING IS A CONTROLLED DOCUMENT. | | DMN: H.LIU 27MAY2008 | TE Connectivity |
| DIMENSIONS: INCHES | | CHK: S.ZHAO 27MAY2008 | |
| TOLERANCES UNLESS OTHERWISE SPECIFIED: | | APVD: S.ZHAO | NAME: R/A HEADER WITH SHORT GUIDES AND LP CONTACTS ASSEMBLY MULTI-BEAM XLE |
| 0 PLC ±. 1 PLC ±.01 2 PLC ±.01 3 PLC ±.005 4 PLC ±.0020 ANGLES ±.2° | | PRODUCT SPEC: 108-2292 | SIZE: A100779 |
| MATERIAL: FINISH: | | APPLICATION SPEC: 114-13251 | DRAWING NO: C=6450832 |
| | | WEIGHT: - | RESTRICTED TO: - |
| | | CUSTOMER DRAWING | SCALE: 4:1 SHEET 18 OF 24 REV: K6 |

| LOC | DIST | REVISIONS | | | |
|-----|------|-------------|------|-----|------|
| P | LTN | DESCRIPTION | DATE | DMN | APVD |
| - | - | SEE SHEET 1 | - | - | - |

| PART NUMBER | ROWS | POWER | | | | | SIGNAL | | | | |
|-------------|------|-------|----|----|----|----|--------|---|---|---|---|
| | | P1 | P2 | P3 | P4 | P5 | 1 | 2 | 3 | 4 | 5 |
| 3-6450832-5 | D | TM | TM | TM | TM | J | J | J | J | J | |
| | C | | | | | K | K | K | K | K | |
| | B | | | | | N | N | N | N | N | |
| | A | | | | | H | H | S | S | S | |

5HDP + 20S

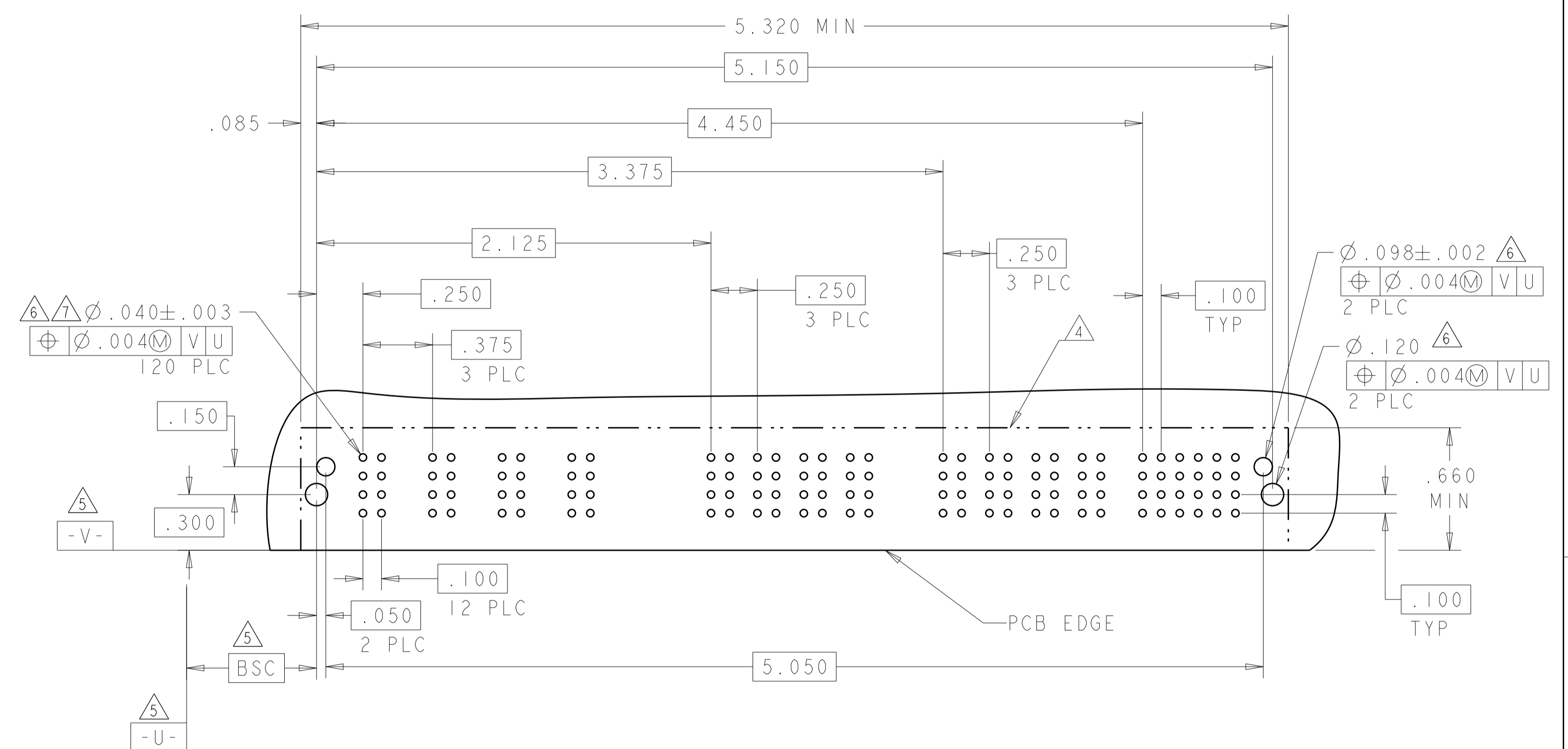
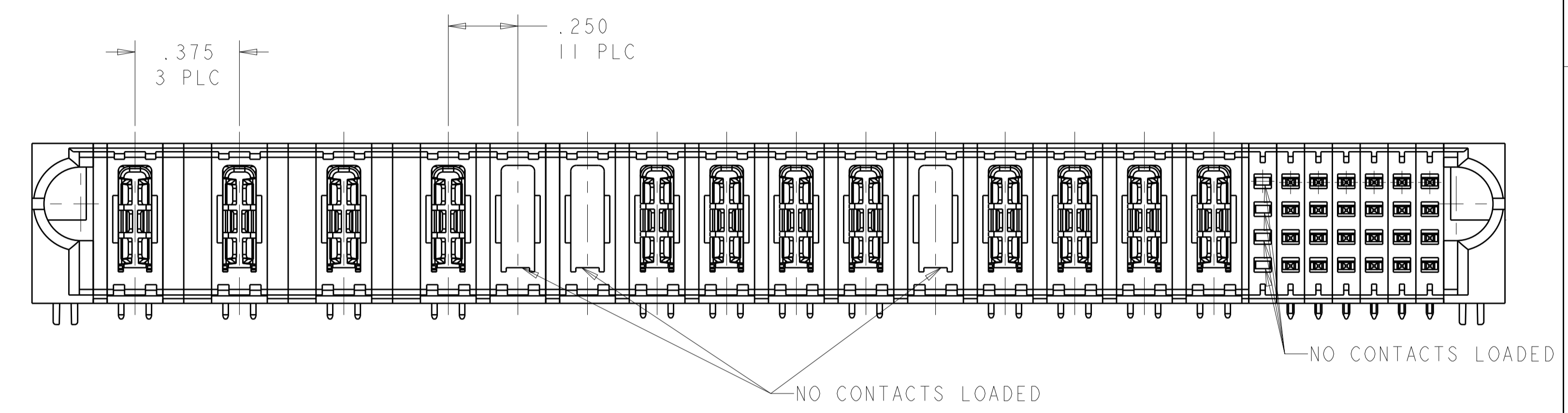
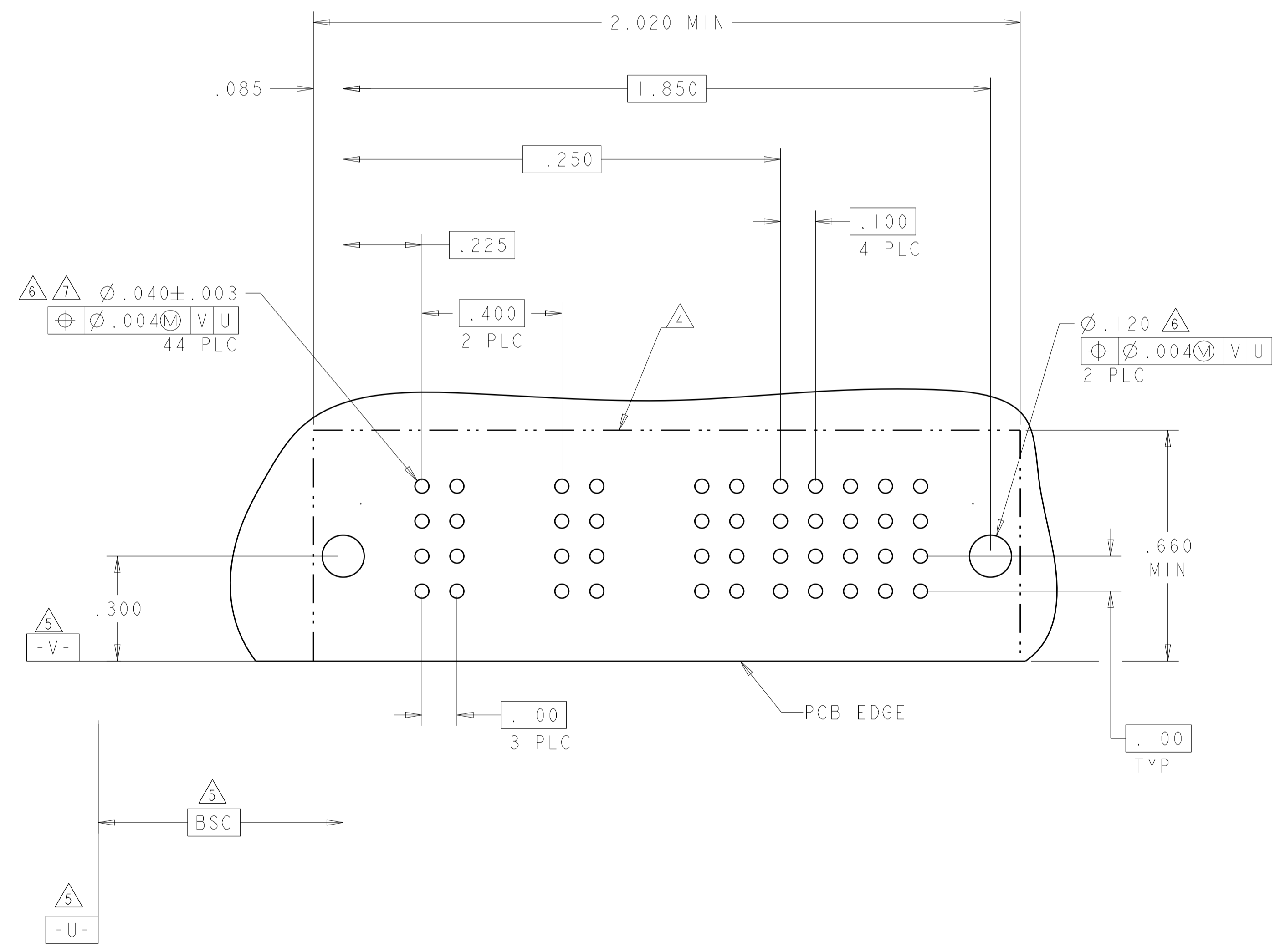
NO CONTACTS LOADED

| PART NUMBER | ROWS | POWER | | | | | | | | | | | | | | | SIGNAL | | | | | | |
|-------------|------|-------|----|----|----|----|----|----|----|----|-----|-----|-----|-----|-----|-----|--------|---|---|---|---|---|---|
| | | P1 | P2 | P3 | P4 | P5 | P6 | P7 | P8 | P9 | P10 | P11 | P12 | P13 | P14 | P15 | 1 | 2 | 3 | 4 | 5 | 6 | 7 |
| 3-6450832-6 | D | TM | TM | TM | TM | TM | TM | TM | TM | TM | TM | TM | TM | TM | TM | E | E | E | E | E | E | | |
| | C | | | | | | | | | | | | | | | F | F | F | K | K | K | | |
| | B | | | | | | | | | | | | | | | N | N | N | N | N | N | | |
| | A | | | | | | | | | | | | | | | H | H | H | H | H | H | | |

15P + 28S

NO CONTACTS LOADED

NO CONTACTS LOADED



THIS DRAWING IS A CONTROLLED DOCUMENT. DWN: H.LIU 27MAY2008
 CHK: S.ZHAO 27MAY2008
 APVD: S.ZHAO

DIMENSIONS: INCHES. TOLERANCES UNLESS OTHERWISE SPECIFIED:
 0 PLC ±.
 1 PLC ±.01
 2 PLC ±.01
 3 PLC ±.005
 4 PLC ±.0020
 ANGLES ±.020

MATERIAL: FINISH: μP

NAME: R/A HEADER WITH SHORT GUIDES AND LP CONTACTS ASSEMBLY MULTI-BEAM XLE
 PRODUCT SPEC: 108-2292
 APPLICATION SPEC: 114-13251
 WEIGHT: -
 CUSTOMER DRAWING

SCALE: 4:1 SHEET 19 OF 24 REV: K6

| LOC | DIST | REVISIONS | | | |
|-----|------|-------------|------|-----|------|
| P | LTN | DESCRIPTION | DATE | DMN | APVD |
| - | - | SEE SHEET 1 | - | - | - |

| PART NUMBER | ROWS | POWER | | | SIGNAL |
|-------------|------|-------|----|----|--------|
| | | P1 | P2 | P3 | I |
| 4-6450832-0 | D | TM | TM | TM | J |
| | C | | | | K |
| | B | | | | N |
| | A | | | | S |

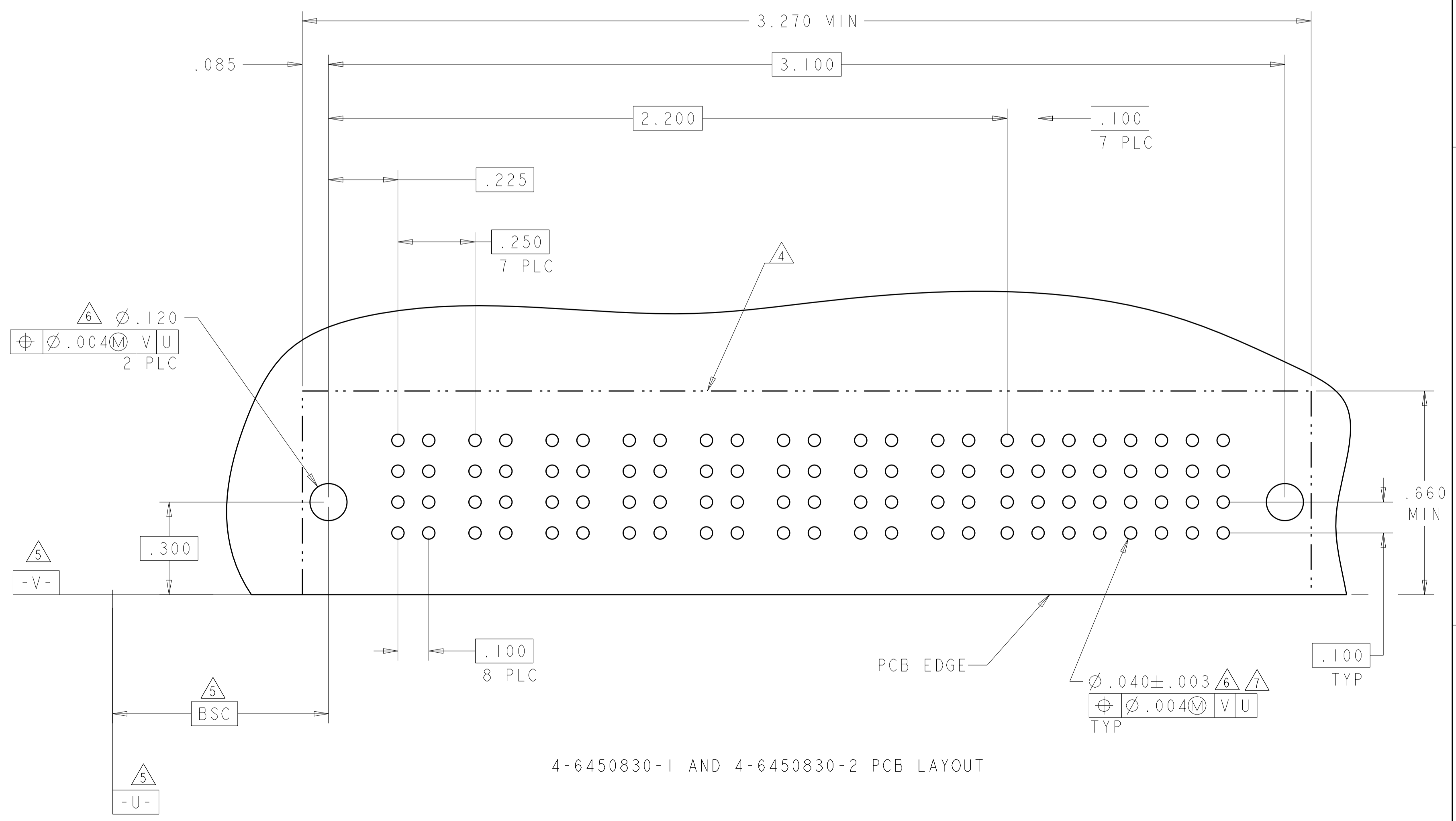
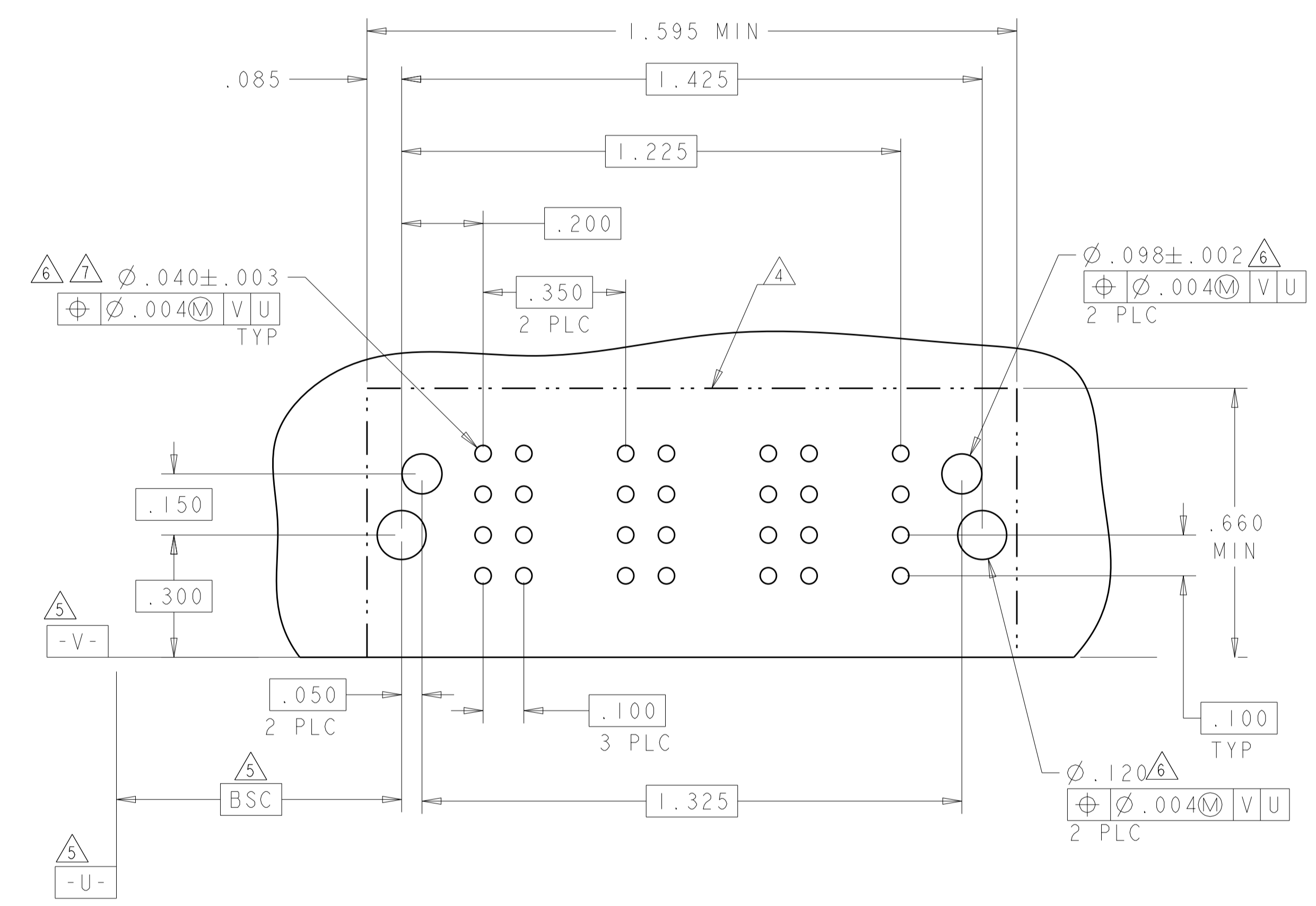
3P + 4S

| PART NUMBER | ROWS | POWER | | | | | | | | SIGNAL | | | | | | | | | | |
|-------------|------|-------|----|----|----|----|----|----|----|--------|---|---|---|---|---|---|---|---|---|---|
| | | P1 | P2 | P3 | P4 | P5 | P6 | P7 | P8 | 1 | 2 | 3 | 4 | 5 | 6 | 7 | 8 | | | |
| 4-6450832-1 | D | TM | TM | TM | TM | TM | TM | TM | TM | J | J | J | J | J | J | J | J | | | |
| | C | | | | | | | | | K | K | K | K | K | K | K | K | K | K | |
| | B | | | | | | | | | N | N | N | N | N | N | N | N | N | N | N |
| | A | | | | | | | | | S | S | S | S | S | S | S | S | S | S | S |

8P + 32S

| PART NUMBER | ROWS | POWER | | | | | | | | SIGNAL | | | | | | | |
|-------------|------|-------|----|----|----|----|----|----|----|--------|---|---|---|---|---|---|---|
| | | P1 | P2 | P3 | P4 | P5 | P6 | P7 | P8 | 1 | 2 | 3 | 4 | 5 | 6 | 7 | 8 |
| 4-6450832-2 | D | TM | TM | TM | TM | TM | TM | TM | TM | J | J | J | J | J | J | J | J |
| | C | | | | | | | | | K | K | K | F | K | K | K | |
| | B | | | | | | | | | N | N | N | N | N | N | N | |
| | A | | | | | | | | | S | S | S | S | S | S | S | |

8P + 32S



4-6450830-1 AND 4-6450830-2 PCB LAYOUT

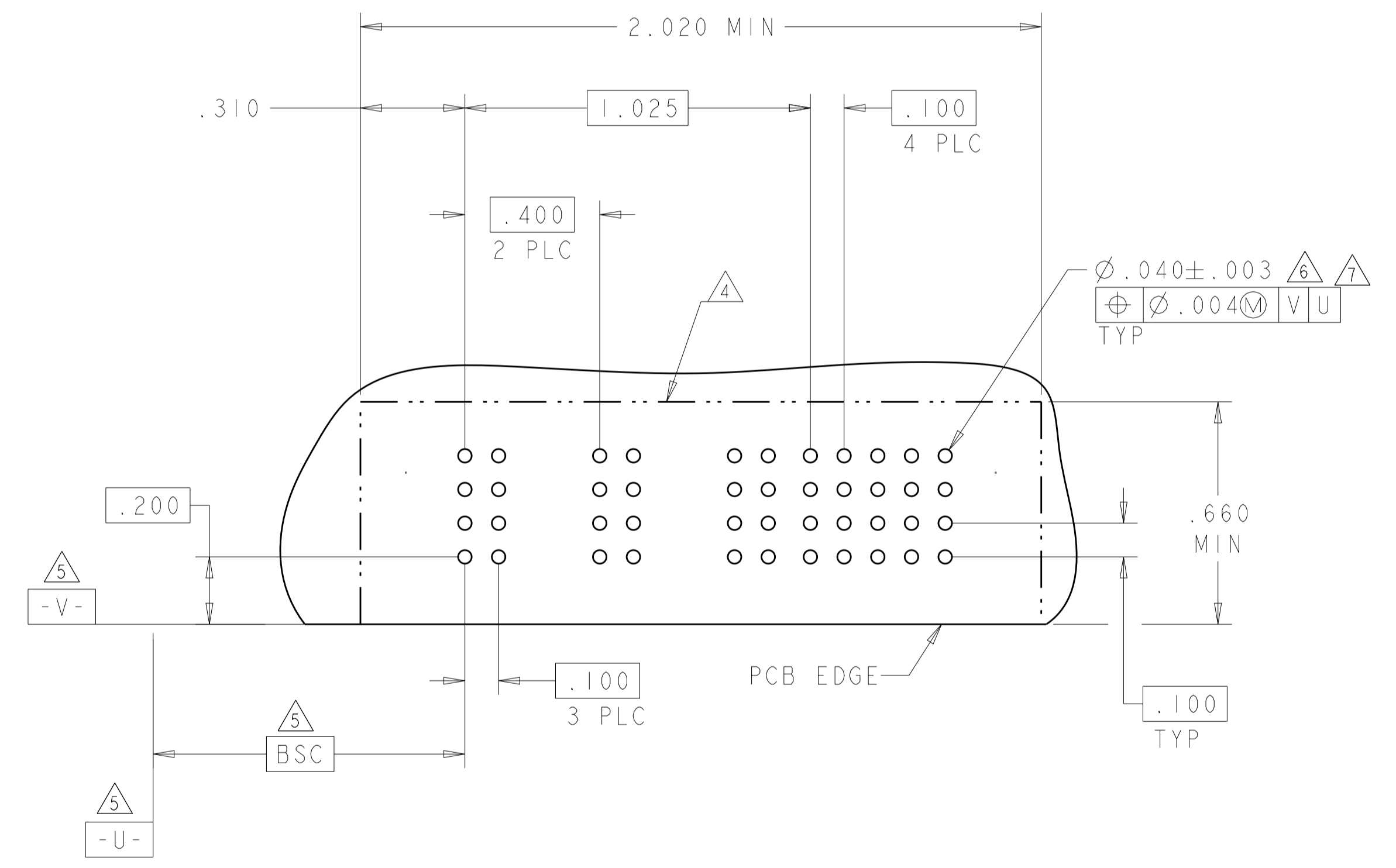
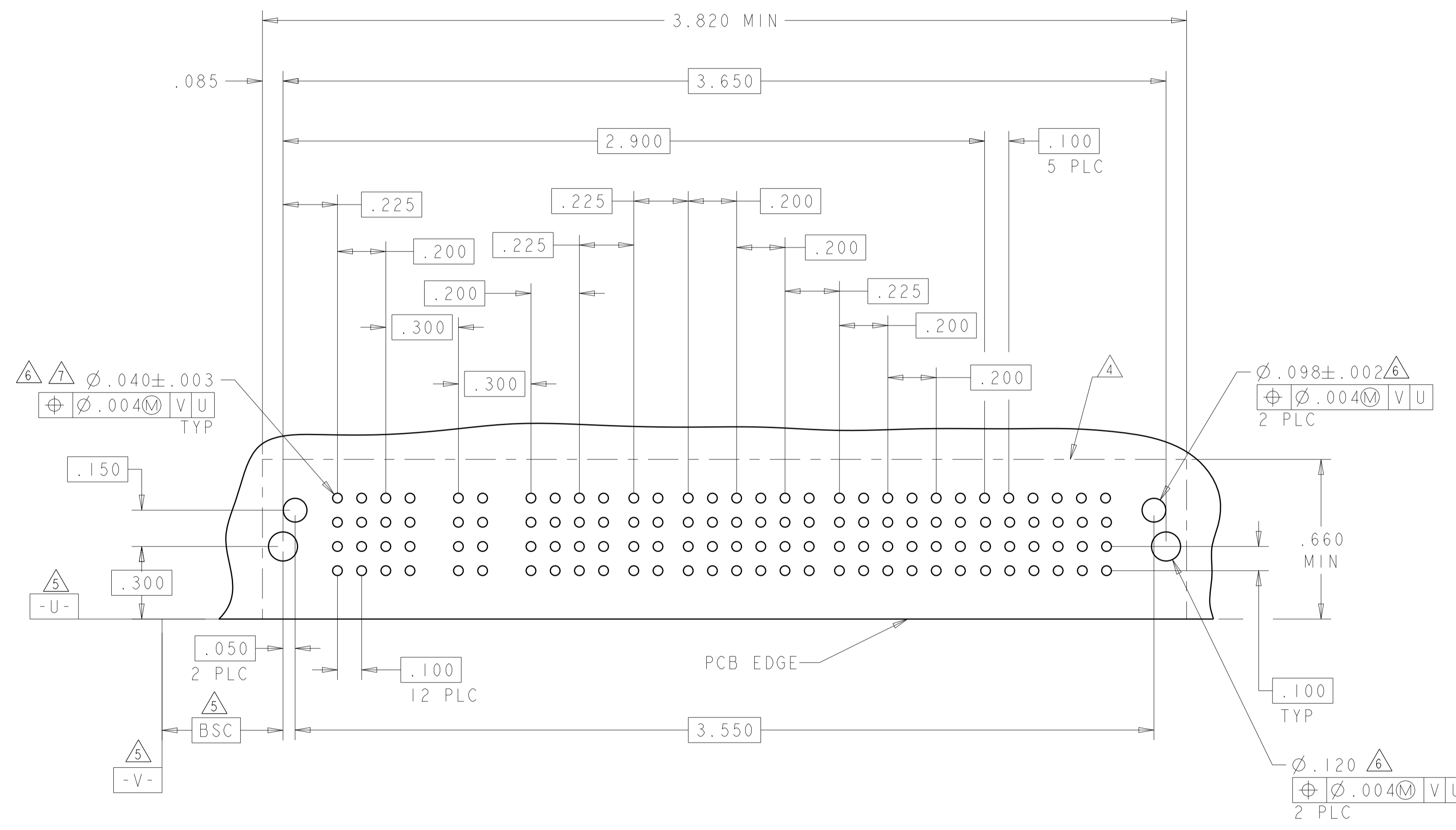
| | | | |
|--|--------------|-----------------------|---|
| THIS DRAWING IS A CONTROLLED DOCUMENT. | | DMN: H.LIU 27MAY2008 | TE Connectivity |
| DIMENSIONS: INCHES | | CHK: S.ZHAO 27MAY2008 | |
| TOLERANCES UNLESS OTHERWISE SPECIFIED: | | APVD: S.ZHAO | NAME: R/A HEADER WITH SHORT GUIDES AND LP CONTACTS ASSEMBLY |
| 0 PLC ±.01 | 1 PLC ±.01 | PRODUCT SPEC | 108-2292 |
| 2 PLC ±.01 | 3 PLC ±.005 | APPLICATION SPEC | 114-13251 |
| 4 PLC ±.0020 | ANGLES ±.020 | WEIGHT | A100779C=6450832 |
| MATERIAL | FINISH | CUSTOMER DRAWING | SCALE: 4:1 SHEET 21 OF 24 REV: K6 |

| LOC | DIST | REV | DATE | BY | APPV |
|-----|------|-----|------|----|------|
| | | 1 | | | |
| | | 2 | | | |

| PART NUMBER | ROWS | POWER | | | | | | | | | | | | SIGNAL | | | | | |
|-------------|------|-------|----|----|----|----|----|----|----|----|-----|-----|-----|--------|----|----|----|----|----|
| | | P1 | P2 | P3 | P4 | P5 | P6 | P7 | P8 | P9 | P10 | P11 | P12 | 1 | 2 | 3 | 4 | 5 | 6 |
| 4-6450832-3 | D | | | | | | | | | | | | | | | | | | |
| | C | TM | TM | TM | TM | TM | TM | TM | TM | TM | TM | TM | TM | TM | TM | TM | TM | TM | TM |
| | B | | | | | | | | | | | | | | | | | | |
| | A | HD | | | | | | | | | | | | | | | | | HD |

| PART NUMBER | ROWS | POWER | | | | | SIGNAL | | | | | | | | |
|-------------|------|-------|----|----|----|----|--------|---|---|---|---|---|---|---|---|
| | | P1 | P2 | P3 | P4 | P5 | 1 | 2 | 3 | 4 | 5 | | | | |
| 4-6450832-4 | D | | | | | | | | | | | | | | |
| | C | TM | | TM | | TM | | | | | J | J | J | J | J |
| | B | | | | | | | | | | K | K | K | K | K |
| | A | | | | | | | | | | H | H | S | S | S |

5HDP + 20S
NO CONTACTS LOADED



THIS DRAWING IS A CONTROLLED DOCUMENT.

| | | | |
|--|-----------|--|--|
| DWN: H.LIU | 27MAY2008 | | TE Connectivity R/A HEADER WITH SHORT GUIDES AND LP CONTACTS ASSEMBLY MULTI-BEAM XLE |
| CHK: S.ZHAO | 27MAY2008 | | |
| DIMENSIONS: INCHES TOLERANCES UNLESS OTHERWISE SPECIFIED: 0 PLC ±. 1 PLC ±.01 2 PLC ±.01 3 PLC ±.005 4 PLC ±.002 ANGLES ±.020 | | APVD: S.ZHAO PRODUCT SPEC: 108-2292 APPLICATION SPEC: 114-13251 WEIGHT: - | NAME: R/A HEADER WITH SHORT GUIDES AND LP CONTACTS ASSEMBLY MULTI-BEAM XLE SIZE: A1 CAGE CODE: 6450832 DRAWING NO: 100779 SCALE: 4:1 SHEET: 22 OF 24 REV: K6 |

MATERIAL: FINISH: CUSTOMER DRAWING

