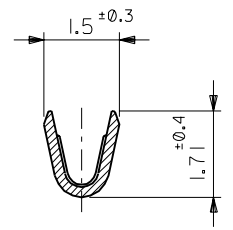
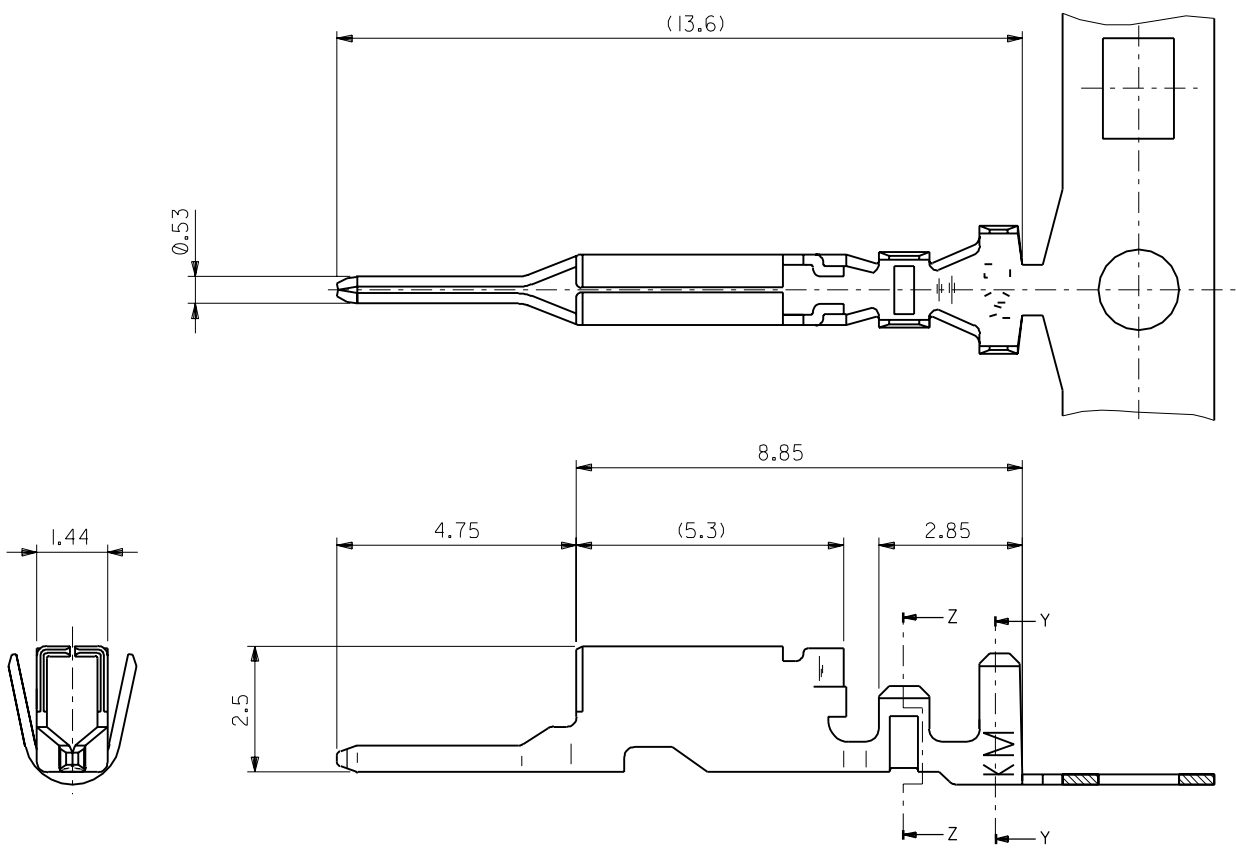
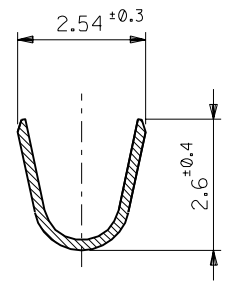


注記  
NOTES

1. 使用材料 : リン青銅, 錫メッキ (t=0.203)  
MATERIAL : PRE-TINNED PHOSPHOR BRONZE (t=0.203)
2. 適合ハウジング : 51227シリーズ  
APPLICABLE HOUSING : 51227 SERIES



SECT. Z-Z



SECT. Y-Y

56086-8100	バラ状 LOOSE
56086-8000	連鎖状 CHAIN
MATERIAL NO.	端子形状 FORM

DO NOT SCALE DRAWING

EC NO. DRWN: CHK: APPR:	EC NO. DRWN: CHK: APPR:	EC NO. DRWN: CHK: APPR:	EC NO. DRWN: CHK: APPR:	EC NO. DRWN: CHK: APPR:	EC NO. JC2001-0981 DRWN: H.II CHK: T.YAMAGUCHI APPR: T.YAMAGUCHI RELEASED '01/06/13	MATERIAL 材料 注記参照 SEE NOTES FINISH 仕上げ // WIRE RANGE 適用電線範囲 AWG #22 - #28 INS. RANGE 被覆外径 Ø 1.5 MAXIMUM	GENERAL TOLERANCES: (UNLESS SPECIFIED) 一般公差 10 UNDER 未満 ±0.2 10 OVER 以上 30 UNDER 未満 ±0.25 30 OVER 以上 ±0.3 ANGLE 角度 ±3°	56086-8*00 SCALE 10:1 DESIGN UNITS <input checked="" type="checkbox"/> mm <input type="checkbox"/> INCH DRAWN BY & DATE H.II '01/06/13 CHECKED BY & DATE T.YAMAGUCHI '01/06/14 APPROVED BY & DATE T.YAMAGUCHI '01/06/14 CAD FILENAME 56086002.S01	MODEL NO. THIRD ANGLE PROJECTION DIMENSIONS: <input type="checkbox"/> mm <input type="checkbox"/> INCH <input checked="" type="checkbox"/> mm ONLY SHT REV REVISION ON CAD ONLY	TITLE: 2.0 mm WIRE TO WIRE CONN. PLUG TERMINAL MOLEX MOLEX INCORPORATED	MATERIAL NO. SEE CHART DRAWING NO. SD-56086-002 SHEET NO. 1 OF 1	THIS DRAWING CONTAINS INFORMATION THAT IS PROPRIETARY TO MOLEX INCORPORATED AND SHOULD NOT BE USED WITHOUT WRITTEN PERMISSION.	SIZE B
----------------------------------	----------------------------------	----------------------------------	----------------------------------	----------------------------------	---	--	--	--	---	--	---	--	-----------