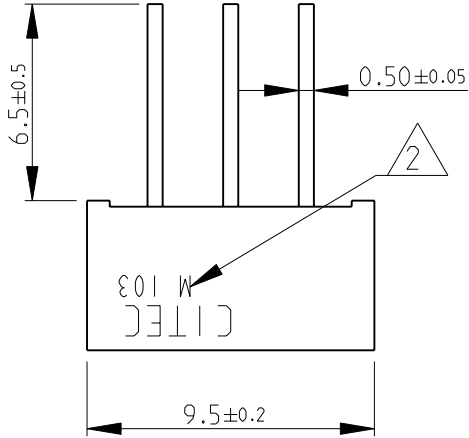
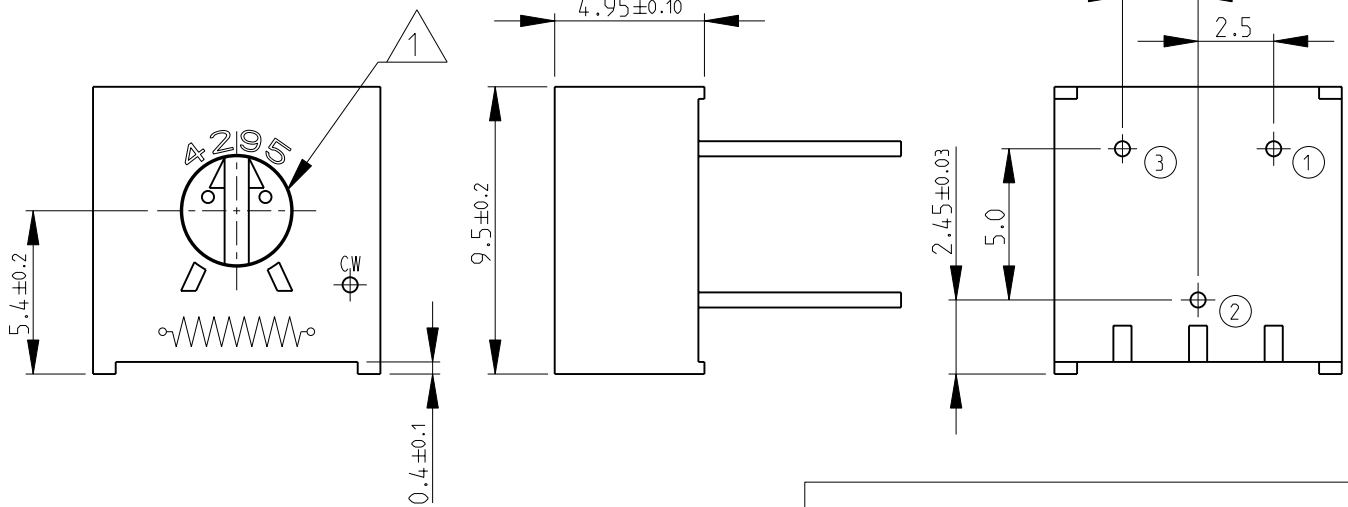


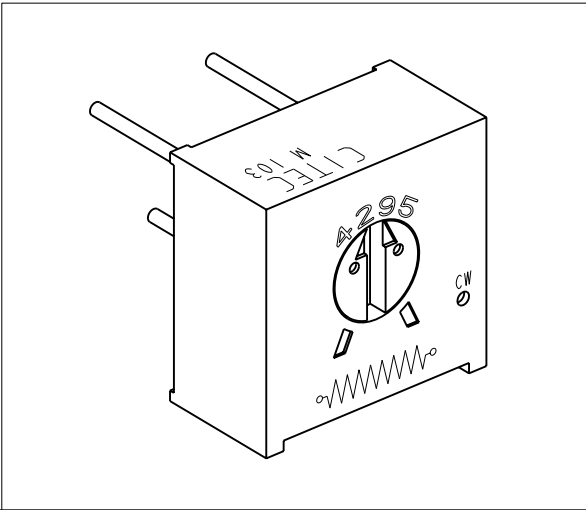
LOC		DIST		REVISIONS			
P	LTR	DESCRIPTION		DATE	DWN	APVD	
E	B	BA	NEW RELEASE	10-Sep-08	SM	St.P	



- 1 TOP ADJUSTMENT SLOT:
Length-3.7±0.2, Width-0.8±0.1, Depth-0.8±0.1
- 2 MARKING: RESISTANCE VALUE AND PIN ORIENTATION
- 3 FOR FURTHER INFORMATION SEE DATA SHEET FOR 4295 SERIES-PROFESSIONAL TRIMMERS



RoHS Compliant



2008
RELEASED FOR PUBLICATION
BY TYCO ELECTRONICS CORPORATION. ALL RIGHTS RESERVED.
COPYRIGHT 2008

DIMENSIONS: mm	DWN	10-Sep-08	MATERIAL	-	FINISH	-
	CHK	10-Sep-08	Tyco Electronics Corporation Dorcan, Swindon, SN3 5HH			
TOLERANCES UNLESS OTHERWISE SPECIFIED:	APVD	10-Sep-08				
	0 PLC	±0.2	NAME	PROFESSIONAL TRIMMERS SERIES 4295M		
1 PLC	±0.1	PRODUCT SPEC	SIZE	CAGE CODE	DRAWING NO	RESTRICTED TO
2 PLC	±	APPLICATION SPEC	A 4	00779	©-1623837	-
3 PLC	±	WEIGHT	CUSTOMER DRAWING			
4 PLC	±		SCALE	4:1	SHEET 1 OF 1	REV BA
ANGLES	±5°					