

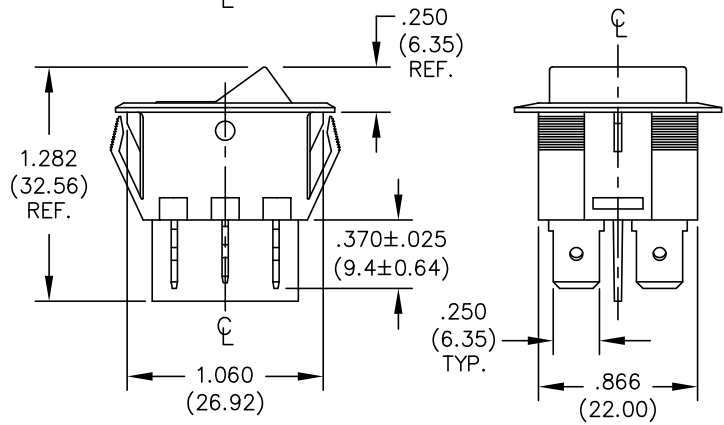
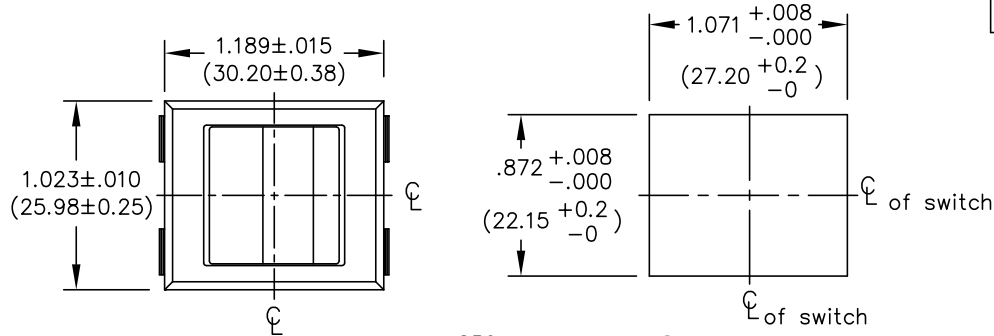
THIS INFORMATION IS CONFIDENTIAL AND PROPRIETARY TO CW INDUSTRIES INCORPORATED AND ITS AFFILIATES. IT MAY NOT BE DISCLOSED TO ANYONE OTHER THAN CW INDUSTRIES PERSONNEL, WITHOUT WRITTEN AUTHORIZATION FROM CW INDUSTRIES INCORPORATED, SOUTHAMPTON, PENNSYLVANIA USA.

DIMENSIONS IN INCHES (MILLIMETERS)  
DO NOT SCALE DRAWING .....

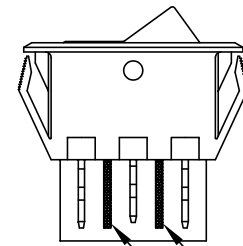
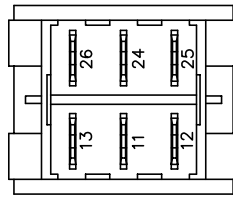
Dwg. No.  
GR-2022-XXXX

PANEL  
THICKNESS  
.025" to .150"  
(0.64mm to 3.81mm)

PANEL PIERCING



BOTTOM VIEW



INSULATING BARRIERS  
BETWEEN TERMINALS  
OPTIONAL

B-FORMAT 2002

REVISIONS

1	2	3	4	5	6	7	8	9	10
---	---	---	---	---	---	---	---	---	----

PDF FILE MADE	<b>cw INDUSTRIES</b> Southampton, Pa. 18966		Title: PANEL MOUNT ROCKER SWITCH D.P.- D.T. WITH OPTIONS
	TOLERANCES UNLESS OTHERWISE SPECIFIED		
	2 Place Decimal ±.010	METRIC	
	3 Place Decimal ±.005	1 Place Dec. ±.25mm	
	Angles ..... ±1°	2 Place Dec. ±.13mm	
Made for:	CW IND.	Division:	SWITCH
Drawn by:	DGW 8-01-2010	Dwg. No.	GR-2022-XXXX
Checked by:			
Approval:			