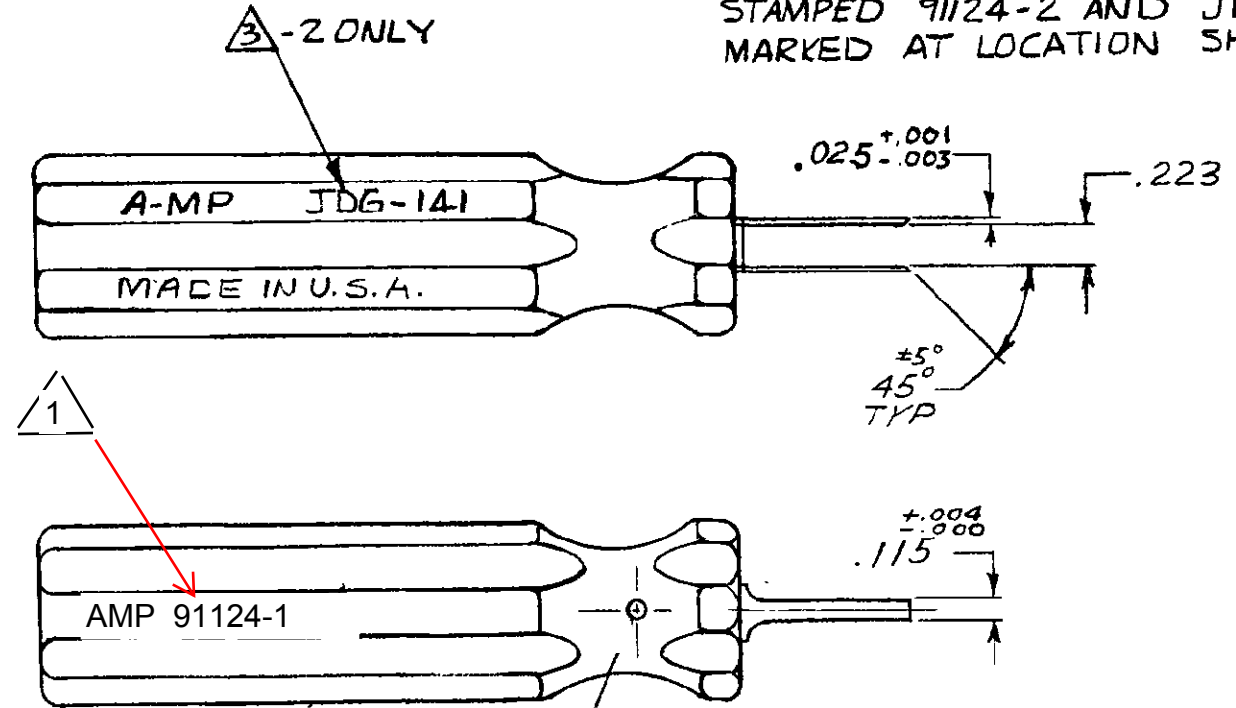


THIS INFORMATION IS CONFIDENTIAL AND IS DISCLOSED TO YOU ON CONDITION THAT NO FURTHER DISCLOSURE IS MADE BY YOU TO OTHER THAN AMP PERSONNEL WITHOUT WRITTEN AUTHORIZATION FROM AMP INCORPORATED, HARRISBURG, PA.

- ② -1 STAMPED AMP 91124-1, MADE IN U.S.A.
- ③ -2 SAME AS -1 EXCEPT:
STAMPED 91124-2 AND JDG-141
MARKED AT LOCATION SHOWN.



				DIMENSIONS IN INCHES		MATERIAL		HEAT TREAT		FINISH	
				TOLERANCES UNLESS OTHERWISE SPECIFIED:		DR		APP		TE Connectivity Harrisburg Pa	
				DECIMALS: .00 ± .02, .000 ± .005, .0000 ± .0005		CHK		REL			
				ANGLES ± 0° 30'		SURF TEXTURE: #J		NAME			
				REMOVE BURRS, BREAK SHARP EDGES .015R MAX		SCALE		SHEET		LOC	
				91124		1-1		DF		NO	
						A		B		91124	
REVISION RECORD				APP		DATE					
A				RELEASED		CT		DE		3-14	
P/F				LTR		REVISION RECORD		APP		DATE	

LOC
DF
DIST
B4