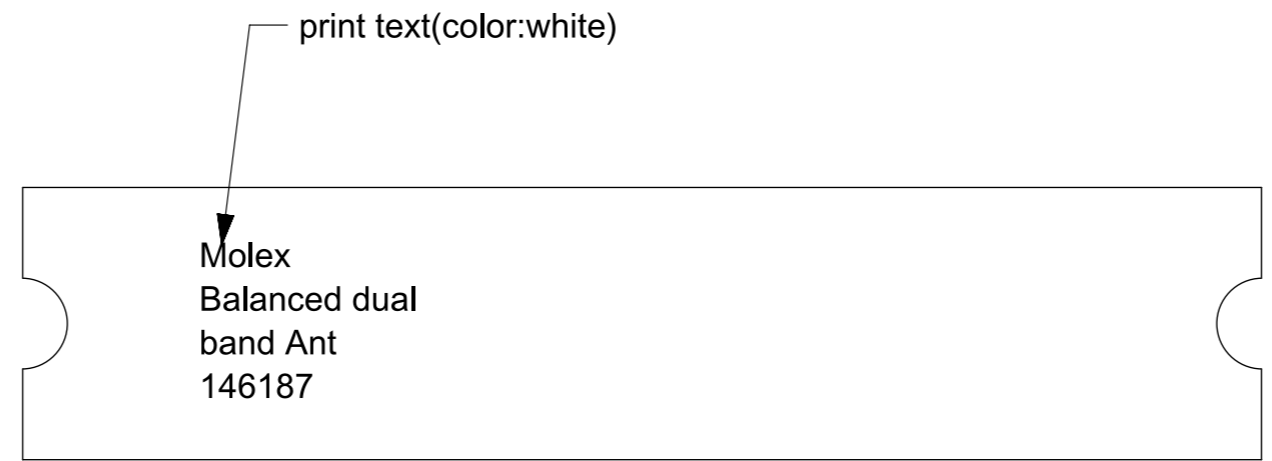


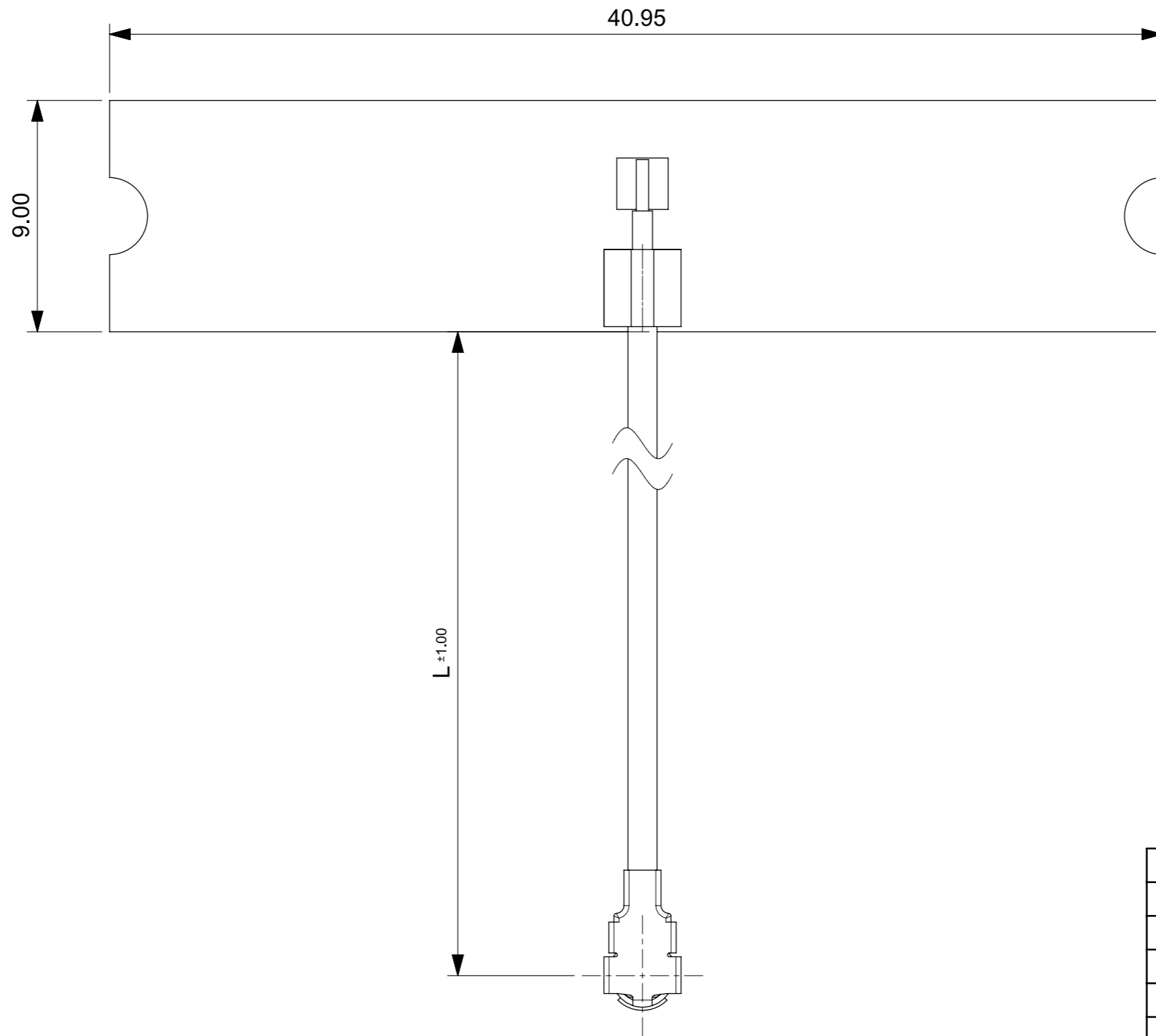
MOLEX				CUSTOMER				DRAWING LOCATION	CHANGE DESCRIPTION	AFFECTED DEPT
DRAWING NO.	REV	ECN NO.	DATA	P/N	P/N	3D REV	2D REV			
SD-146187-050	A	ABU2015-0084	2015/06/27	1461870050				NEW RELEASE		



ITEM	ASSY P/N	DESCRIPTION
1	1461870050	Flex +50mm Cable
2	1461870100	Flex +100mm Cable
3	1461870150	Flex +150mm Cable
4	1461870200	Flex +200mm Cable
5	1461870250	Flex +250mm Cable
6	1461870300	Flex +300mm Cable

NOTE:
 1.Material: PCB 40.95mm * 9mm,T0.8MM
 Base Copper: 18~20um
 2.Tolerance on all copper artwork is +/-0.05MM.
 3.Tolerance on all die cutline is +/-0.1MM.
 4.Tolerance between artwork and die cutline is +/-0.25MM.Others: +/-0.2mm
 5.Ni&Au plating in the solder pad area:
 Ni: 1-3 um, Au: min. 0.025 um thickness
 6.Solder Mask: Green.

THIS DRAWING CONTAINS INFORMATION THAT IS PROPRIETARY TO MOLEX INCORPORATED AND SHOULD NOT BE USED WITHOUT WRITTEN PERMISSION											
EC DESCRIPTION EC NO: ABU2015-0084 DRWN: ZLRAO CHK'D: Chris Yu APPR: Welson Tan	06/27/15 06/27/15 06/27/15	QUALITY SYMBOLS	GENERAL TOLERANCES (UNLESS SPECIFIED)	DIMENSION UNITS	SCALE						
		▽ = 0	ANGULAR TOL ± 1/2 °	mm	5:1						
		▽ = 0	4 PLACES ± 0.00000	DRWN BY	DATE						
		▽ = 0	3 PLACES ± 0.0000	ZLRAO	2015/06/27	PRODUCT DESIGN DRAWING					
		▽ = 0	2 PLACES ± 0.000	CHK'D BY	DATE	SERIES MATERIAL NUMBER CUSTOMER					
			1 PLACE ± 0.00	Chris Yu	2015/06/27	146187 See Table GENERAL MARKET					
	0 PLACES ± 0.00	APPR BY	DATE	DOCUMENT NUMBER DOC TYPE DOC PART SHEET NUMBER							
		Welson Tan	2015/06/27	SD-146187-050 XXX XXX 1 OF 2							
		DRAFT WHERE APPLICABLE MUST REMAIN WITHIN DIMENSIONS		DRAWING SIZE	THIRD ANGLE PROJECTION						
A	REV			A3							



ITEM	CABLE TYPE	CABLE LENGTH "L"
1	CABLE 50MM	43.3MM
2	CABLE 100MM	93.3MM
3	CABLE 150MM	143.3MM
4	CABLE 200MM	193.3MM
5	CABLE 250MM	243.3MM
6	CABLE 300MM	293.3MM

NOTE:

- 1.The dimesndion with tolerance in box should be controled by flex supplier and tolerance of other dimension:±0.2MM.
- 2.The cable line can not be rotated with the weld point for more than 60 degrees.
3. For pull test, can not lift up in the vertical direction
- 4.After RF test, please use the cap to protection connector, the cap material:PVC,type:FP EC3.0-10(0.9)

THIS DRAWING CONTAINS INFORMATION THAT IS PROPRIETARY TO MOLEX INCORPORATED AND SHOULD NOT BE USED WITHOUT WRITTEN PERMISSION											
EC DESCRIPTION EC NO: ABU2015-0084 DRWN: ZLRAO CHK'D: Chris Yu APPR: Welson Tan	06/27/15 06/27/15 06/27/15	QUALITY SYMBOLS	GENERAL TOLERANCES (UNLESS SPECIFIED)	DIMENSION UNITS	SCALE	 Balanced dual band Antenna_ASSY					
		▽ = 0	ANGULAR TOL ± 1/2 °	mm	4:1						
		▽ = 0	4 PLACES ± 0.00000	DRWN BY	DATE						
		▽ = 0	3 PLACES ± 0.00000	ZLRAO	2015/06/27	PRODUCT DESIGN DRAWING					
		▽ = 0	2 PLACES ± 0.000	CHK'D BY	DATE						
		▽ = 0	1 PLACE ± 0.000	Chris Yu	2015/06/27	SERIES: 146187 MATERIAL NUMBER: See Table CUSTOMER: GENERAL MARKET					
▽ = 0	0 PLACES ± 0.000	APPR BY	DATE								
DRAFT WHERE APPLICABLE MUST REMAIN WITHIN DIMENSIONS		DRAWING SIZE	THIRD ANGLE PROJECTION	DOCUMENT NUMBER: SD-146187-050 DOC TYPE: XXX DOC PART: XXX SHEET NUMBER: 2 OF 2							
A	REV	A3									