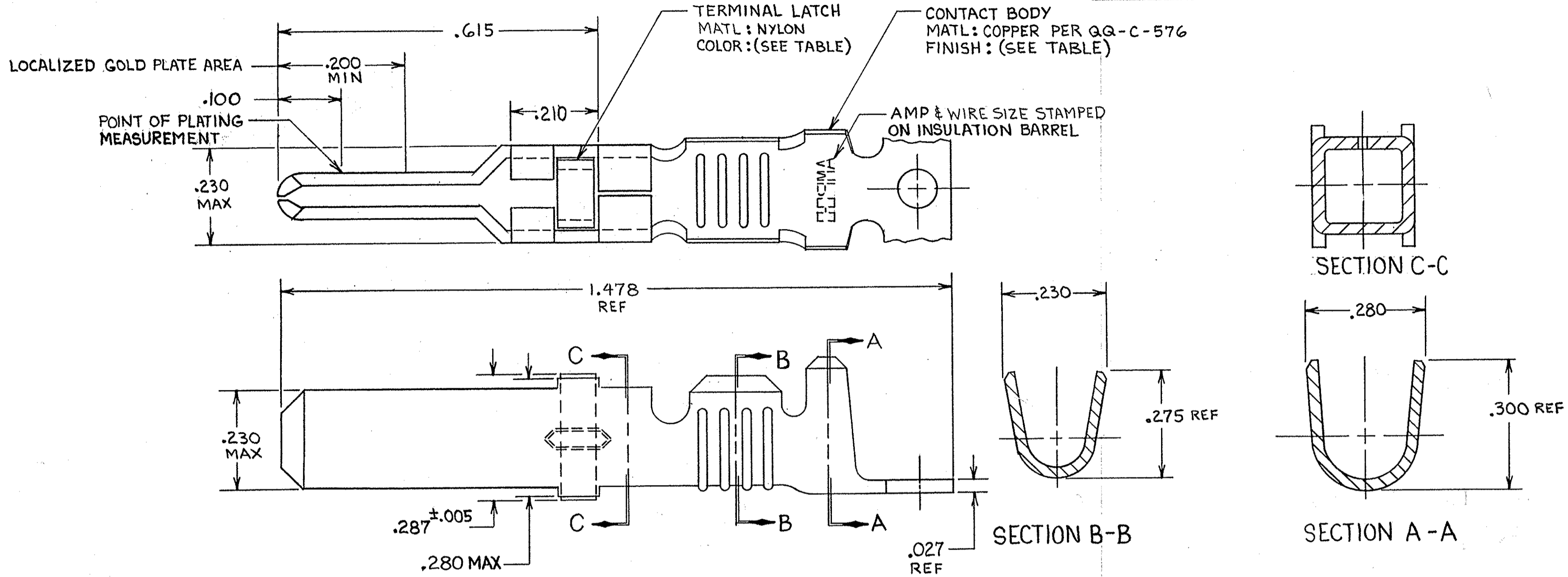


THIS DRAWING IS UNPUBLISHED. RELEASED FOR PUBLICATION, 19
 © COPYRIGHT 19 BY AMP INCORPORATED, HARRISBURG, PA. ALL INTERNATIONAL RIGHTS RESERVED. AMP PRODUCTS MAY BE COVERED BY U.S. AND FOREIGN PATENTS AND/OR PATENTS PENDING.

REVISIONS					
P	F	ZONE	LTR	DESCRIPTION	DATE APPROVED
✓	✓		V	REDRAWN & REVISED PER ECN R-1451	9-27-85 RER LTR
✓	✓		W	OBSOLETE -3 & -7 PER R-2760	3-4-87 306 SLB
✓	✓		Y	REV PER ECN DF-5920	11-25-82 JL 1817
			Z	REV PER 0630-269-03	CT 5-03 DAE



- 1. REELED FOR USE WITH STANDARD APPLICATORS.
- 2. REELED FOR USE WITH HEAVY DUTY MINI-APPLICATORS.
- 3. PLATED WITH .000100 MIN SILVER PER QQ-S-365.
- 4. PLATED WITH .000015 MIN GOLD PER MIL-G-45204 IN THE LOCALIZED GOLD PLATE AREA, GOLD FLASH ON THE REMAINDER, OVER .000030 MIN NICKEL PER QQ-N-290.
- 5. PLATED WITH .000030 MIN GOLD PER MIL-G-45204 IN THE LOCALIZED GOLD PLATE AREA, GOLD FLASH ON THE REMAINDER, OVER .000030 MIN NICKEL PER QQ-N-290.
- 6. PLATED WITH .000050 MIN 93-7% TIN-LEAD ALLOY OVER .000030 MIN NICKEL PER QQ-N-290.
- 7. WIRE RANGE = 10 AWG.
- 8. INSULATION RANGE = .190 - .220 DIA.
- 9. PLATED TIN (NO LEAD) .000050 MIN THK. PER ASTM-B-545 OVER NICKEL, .000030 MIN THK. PER QQ-N-290.

BLACK	9	66259-5	1-66253-0
BLACK	9	66259-5	66253-9
NATURAL	3	66259-4	66253-8
BLACK	4	OBSOLETE	66253-7
BLACK	5	66259-2	66253-6
BLACK	6	66259-1	66253-5
NATURAL	3	66259-4	66253-4
BLACK	4	OBSOLETE	66253-3
BLACK	5	66259-2	66253-2
BLACK	6	66259-1	66253-1
TERMINAL LATCH COLOR	FINISH	L.P. ASS'Y P/N REF	STRIP ASS'Y P/N

UNLESS OTHERWISE SPECIFIED DIMENSIONS ARE IN INCHES. TOLERANCES ON: DECIMALS ±.010 ANGLES ±	CONTRACT NO		AMP AMP INCORPORATED Harrisburg, Pa. 17105	
	DR <i>Rick Rohlbaugh</i> 9-27-85			
MATERIAL SEE CALLOUT	CHK <i>Larry L. Laurer</i> 10-1-85		NAME MALE TYPE XII CONTACT STRIP ASSEMBLY	
	APPD <i>D. L. Bolash</i> 10-1-85		SIZE C	
FINISH SEE DASH NO	APPD <i>Henry E. Smith</i> 10-3-85		FSCM NO 00779	
	DSGN APPD		DRAWING NO 66253	
OTHER APPD		SCALE NTS		SHEET