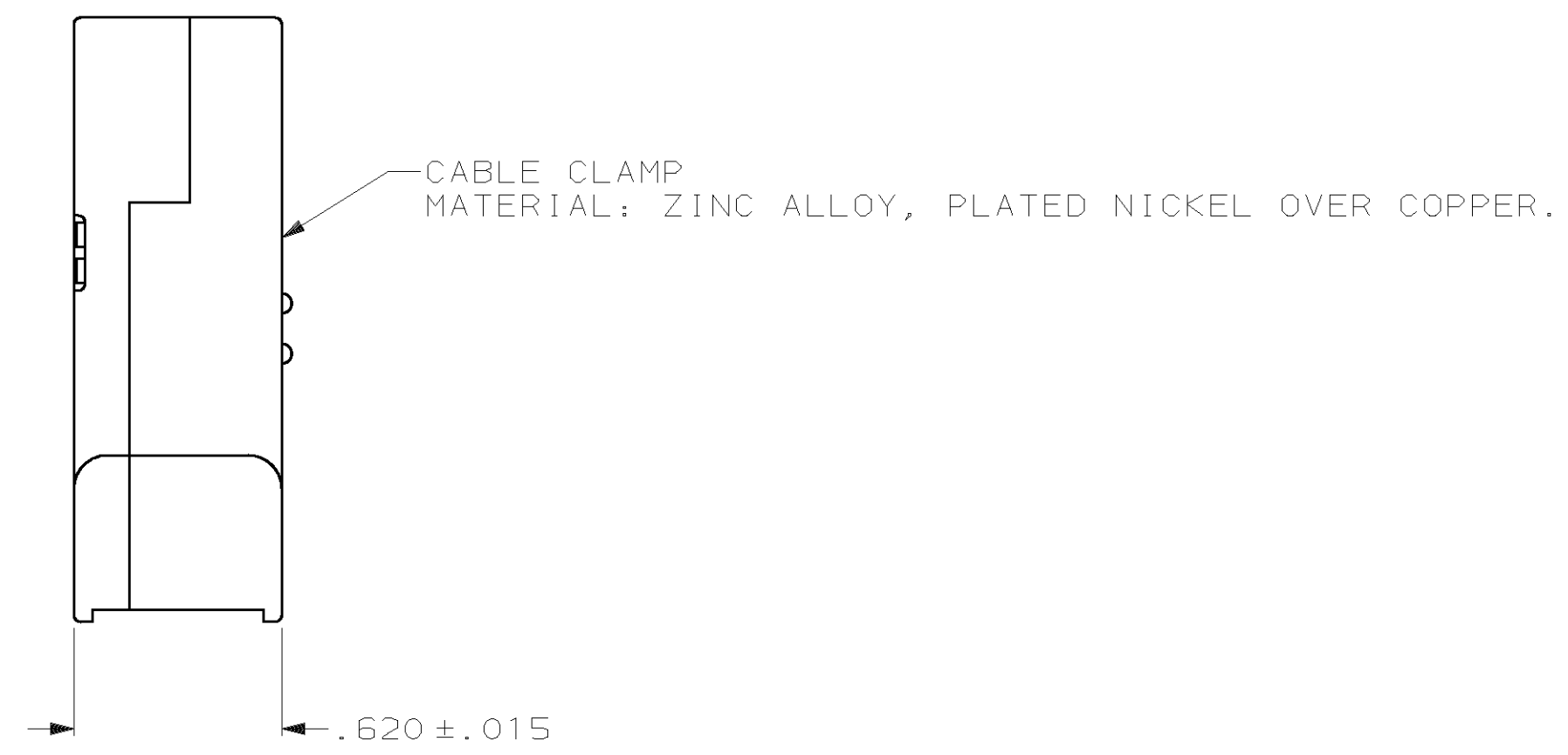
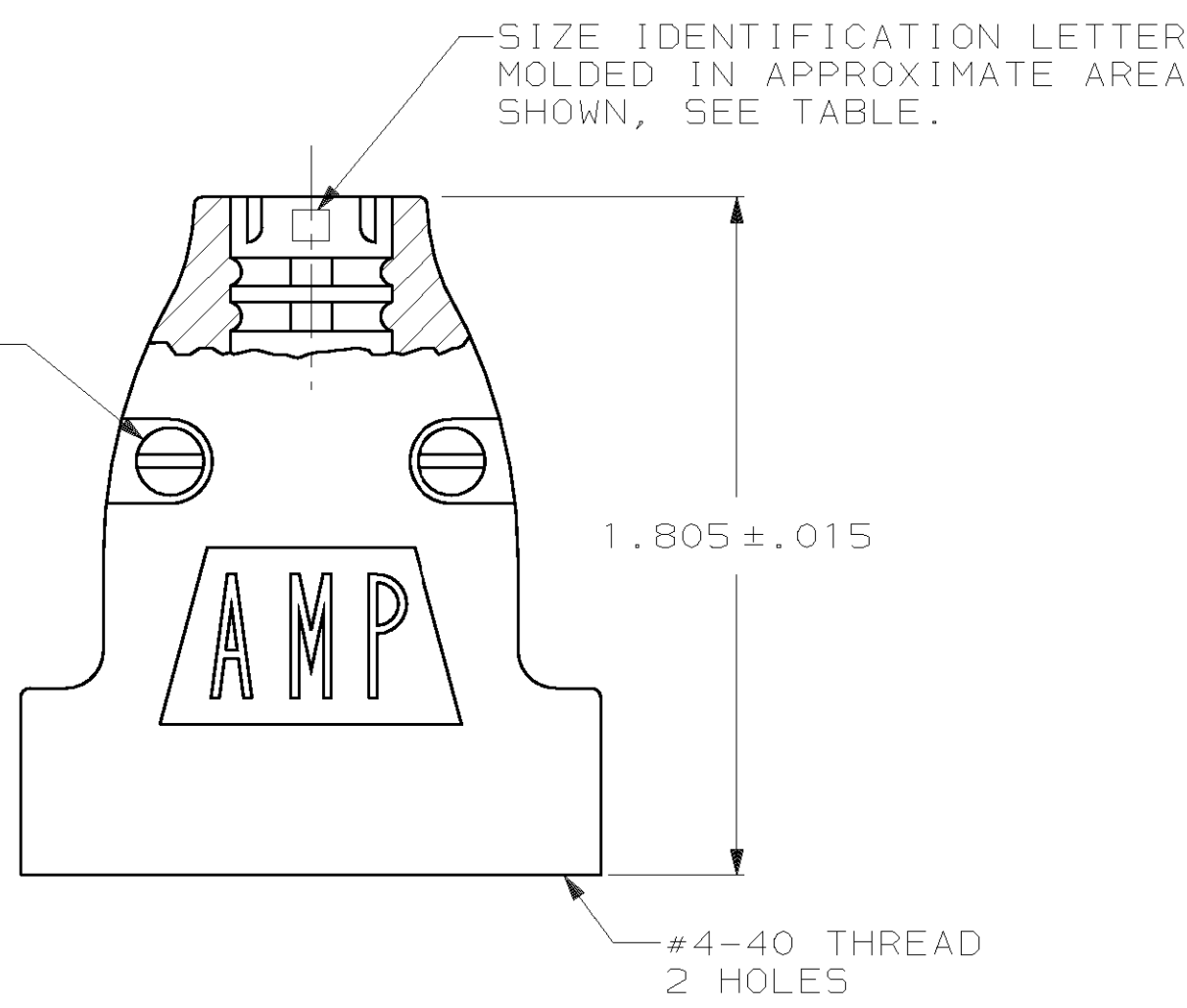
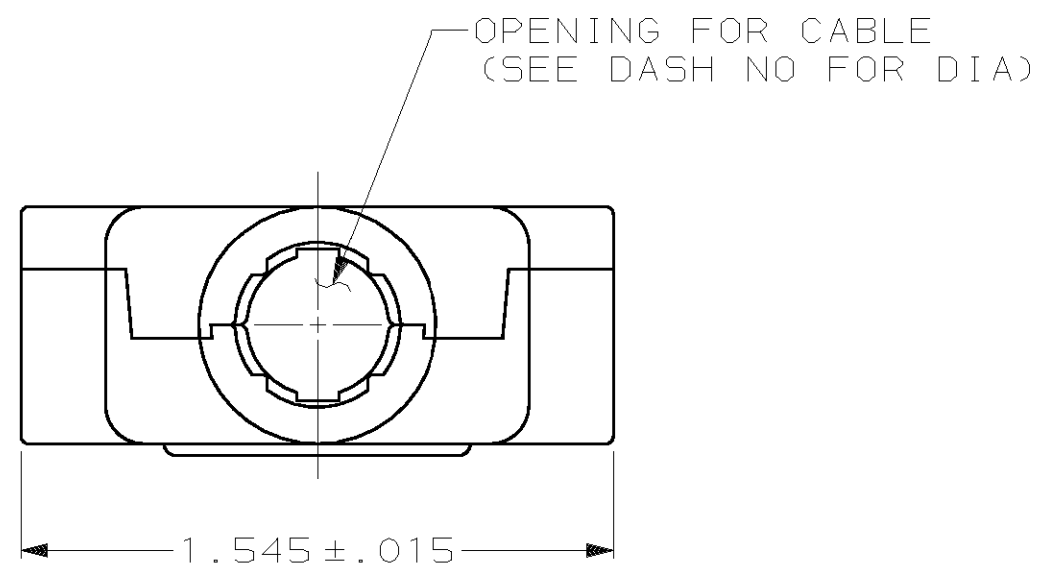



THIS DRAWING IS UNPUBLISHED. RELEASED FOR PUBLICATION, 19 .
 © COPYRIGHT 19 BY AMP INCORPORATED. ALL INTERNATIONAL RIGHTS RESERVED.

LOC		DIST		REVISIONS			
ZONE	LTR	DESCRIPTION	DATE	APPD			
BD	0						
		B	7-90	-			
		C	02 FEB 01	DK			



1. PARTS PACKAGED UNASSEMBLED.

SIZE IDENT LETTER	MAX CABLE DIA	PART NUMBER
B	.225	745919-4
E	.300	745919-3
H	.375	745919-2
K	.430	745919-1

DO NOT SCALE PRINT. UNLESS SPECIFIED DIMENSIONS IN INCHES TOLERANCES ON :		DR 7-25-90 J GALLUCCI BG		 AMP INCORPORATED Harrisburg, Pa. 17105	
2 PLC DEC ± -		CHK -			
3 PLC DEC ± .005		APPD -		NAME CABLE CLAMP KIT, SIZE 2, 15 POSITION, 180 DEGREES, AMPLIMITE™ SERIES	
ANGLES ± -		APPD -			
MATERIAL		PRODUCT SPEC		SIZE	
SEE CALLOUTS		-		C 00779	
FINISH		APPLICATION SPEC		DRAWING NO	
SEE CALLOUTS		-		745919	
		WEIGHT -		SCALE 2:1	
				SHEET 1 OF 1	

745919